

CLOSURE DRAWINGS

PLANT HAMMOND - GEORGIA POWER

ASH POND 4 (AP-4)

DEWATERED CCR SURFACE IMPOUNDMENT

FLOYD COUNTY, GEORGIA

PREPARED FOR
GEORGIA POWER

PREPARED BY



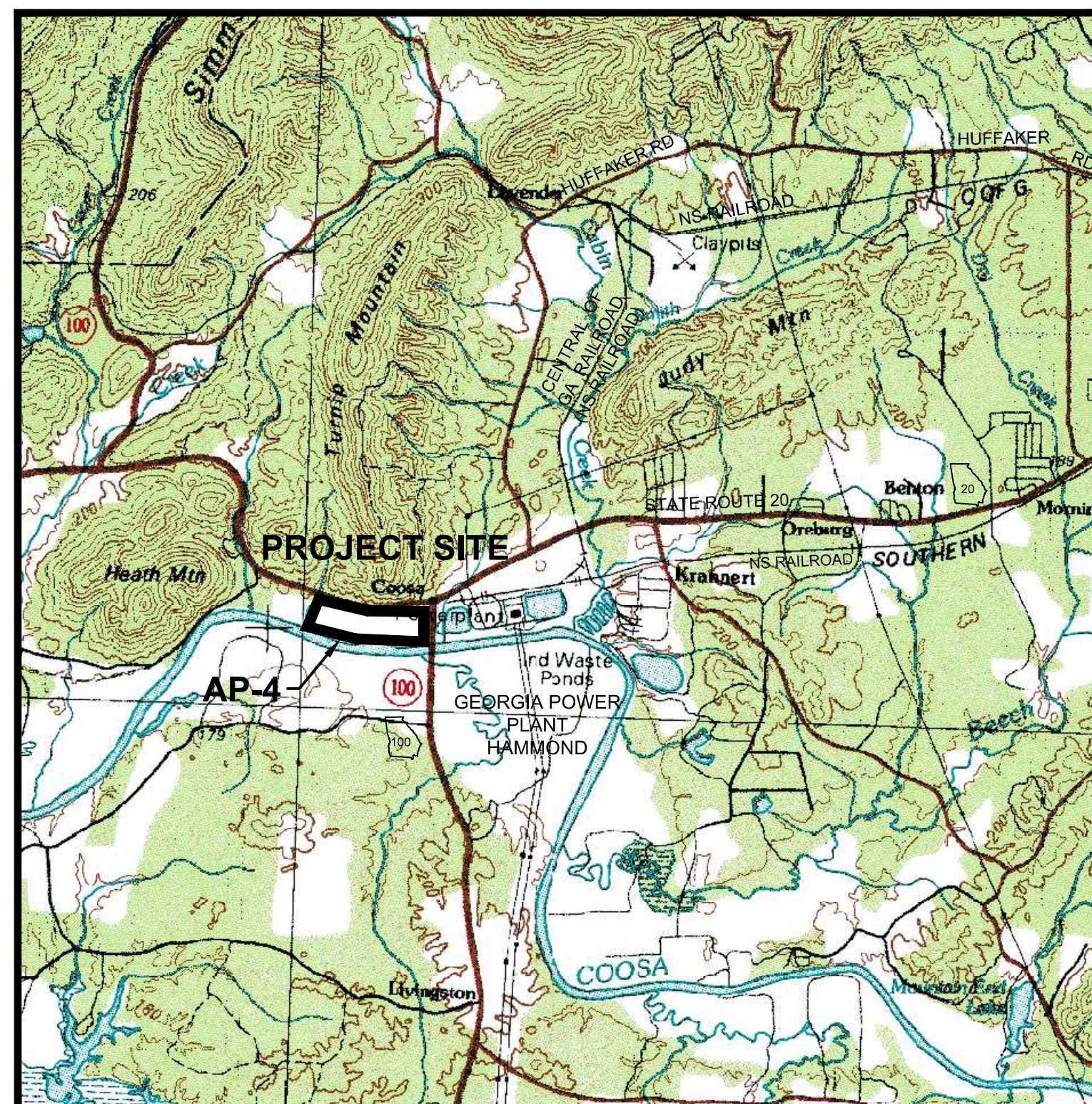
LOCATION MAP
NOT TO SCALE

INDEX OF SHEETS

- 1 COVER SHEET
- 2 GENERAL NOTES
- 3 EXISTING CONDITIONS
- 4 EXCAVATION PLAN
- 5 FINAL GRADE PLAN
- 6 EROSION CONTROL PLAN
- 7 BASELINE PROFILE
- 8-9 CROSS SECTIONS
- 10-11 DETAILS
- 12 COMPLIANCE MONITORING NETWORK
- P467(4) PLANT HAMMOND ASH POND 4 PERMITTED SITE BOUNDARY
- 1 OF 1 ENVIRONMENTAL MONITORING PLAN

RESPONSIBLE OFFICIAL
GENERAL MANAGER
GEORGIA POWER ENVIRONMENTAL AFFAIRS
241 RALPH MCGILL BLVD NE
ATLANTA, GEORGIA 30308
404-506-6505

PROPERTY OWNER
GEORGIA POWER COMPANY
241 RALPH MCGILL BLVD.
ATLANTA, GEORGIA 30308



SITE LOCATION MAP
SCALE: 1"=5000'



COVER SHEET			
CLOSURE DRAWINGS			
FOR			
PLANT HAMMOND - GEORGIA POWER			
ASH POND 4 (AP-4) - DEWATERED CCR SURFACE IMPOUNDMENT			
FLOYD COUNTY, GEORGIA			
1110 Market Street, Suite 214A Chattanooga, Tennessee 37402-2863 www.stantec.com			
PROJ. NO.	175618707	DWG.	01_18707-001-CVR
SCALE	AS SHOWN	EDIT	04/03/20
DATE	APRIL 2020	SHEET 1 OF 12	

PLOT DATE: 08/26/2019 USER: JOHNSON, TRACY (LEXINGTON) U:\175618707\TECHNICAL\PRODUCTION\DRAWING\SHEET_FILES\ASH_POND_4\PERMIT\100%_SUB_01_18707-001-CVR.DWG


ABBREVIATIONS:

- A.S.T.M. AMERICAN SOCIETY OF TESTING MATERIALS
- A.A.S.H.T.O. AMERICAN ASSOCIATION OF STATE HIGHWAY AND TRANSPORTATION OFFICIALS
- B.C.C.M. BITUMINOUS COATED CORRUGATED METAL PIPE
- BMP'S BEST MANAGEMENT PRACTICES
- BOT. BOTTOM
- B.O.P. BOTTOM OF PIPE
- C/C CENTER TO CENTER
- C.F. CUBIC FEET
- C CENTERLINE
- CM CENTIMETER
- CL CLASS (OF PIPE)
- CLR. CLEAR
- CONC. CONCRETE
- CONT. CONTINUOUS
- C.M.P. CORRUGATED METAL PIPE
- C.P.V.C. CORRUGATED POLYVINYL CHLORIDE PIPE
- X-SLOPE CROSS SLOPE
- C & G CURB & GUTTER
- D.I. DROP INLET
- DIA. DIAMETER
- DT. DITCH
- DR DIMENSION RATIO
- DWG. DRAWING
- e DISTANCE FROM P.V.I. TO V.C. @ P.V.I.
- D.I.P. DUCTILE IRON PIPE
- D.O.T. DEPARTMENT OF TRANSPORTATION
- E.W. EACH WAY
- E.O.P. EDGE OF PAVEMENT
- EL. ELEVATION
- F/C FACE OF CURB
- F.F. FINISH FLOOR
- F.E.S. FLARED END SECTION
- F.B. FLAT BOTTOM DITCH
- F.H. FIRE HYDRANT
- FT. FEET
- G.C.M.P. GALVANIZED CORRUGATED METAL PIPE
- GCL GEOSYNTHETIC CLAY LAYER
- GPC, GPCO GEORGIA POWER COMPANY
- GR. GRADE
- GRD. BRK. GRADE BREAK
- G.A.B. GRADED AGGREGATE BASE
- G.I. GRATE INLET
- H.D.P.E. HIGH DENSITY POLYETHYLENE PIPE
- H.P. HIGH POINT
- I.E. INVERT ELEVATION
- J.B. JUNCTION BOX
- K PERMEABILITY
- L.C.R.S. LEACHATE COLLECTION & RECOVERY SYSTEM
- L.Q.D. LIMITS OF DISTURBANCE
- LB. POUND
- L.F. LINEAR FEET
- N.T.S. NOT TO SCALE
- L.P. LOW POINT
- M.H. MANHOLE
- MAX. MAXIMUM
- MIN. MINIMUM
- O.C. ON CENTER
- O.D. OUTSIDE DIAMETER
- O.F.B. OUTSIDE FACE OF BUILDING
- OZ. OUNCE
- P.V.D. PAVED
- PERF. PERFORATED
- P.I. POINT OF INTERSECTION
- P.I.V. POST INDICATOR VALVE
- P.C. POINT OF CURVE
- P.S. POINT OF SWITCH
- P.S.I. POUND PER SQUARE INCH
- P.T. POINT OF TANGENT
- P.V.I. POINT OF VERTICAL INTERSECTION
- P.V.C. POINT OF VERTICAL CURVE
- P.V.T. POINT OF VERTICAL TANGENT
- P.V.C. POLYVINYL CHLORIDE PIPE
- P.S.I. POUNDS PER SQUARE INCH
- P.S.F. POUNDS PER SQUARE FOOT
- P.P. POWER POLE
- R.O.W. RIGHT OF WAY
- PCM PROJECT CONSTRUCTION MANAGER
- P PROPERTY LINE
- R RADIUS
- R.C.A.P. REINFORCED CONCRETE ARCH PIPE
- R.C.P. REINFORCED CONCRETE PIPE
- REF. REFERENCE
- REQD. REQUIRED
- REV. REVISION
- RD. ROAD
- SCH. SCHEDULE
- SHLD. SHOULDER
- SHT. SHEET
- S.S. SIDE SLOPE
- SQ. SQUARE
- STD. STANDARD
- T & B TOP AND BOTTOM
- T/C TOP OF CURB
- T.O.P. TOP OF PIPE
- T/R TOP OF RAIL
- TYP. TYPICAL
- V.G. VALLEY GUTTER
- V.C. VERTICAL CURVE
- W/ WITH
- W.P. WORK POINT

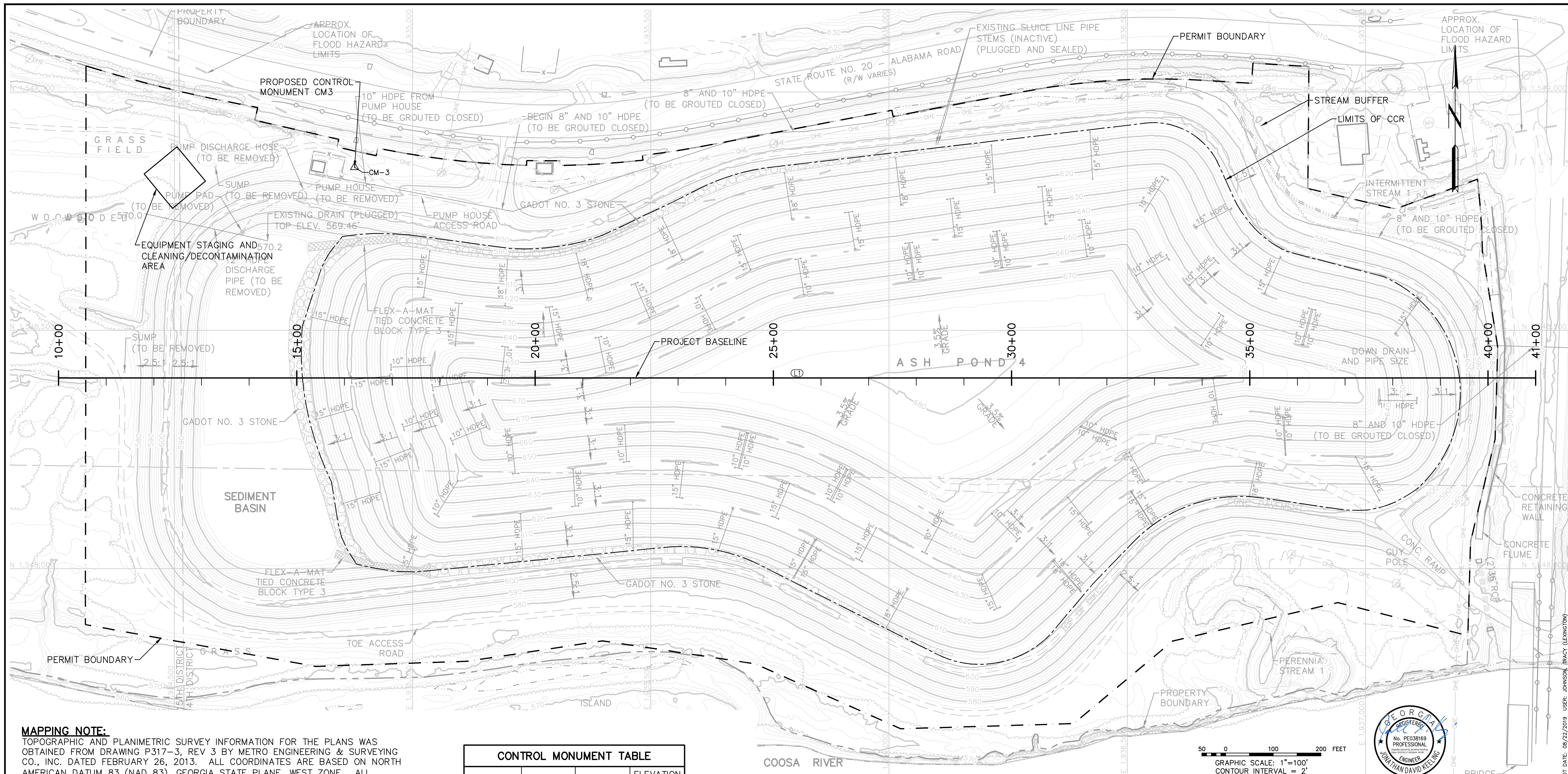
GENERAL NOTES

1. PROJECT GRID IS GEORGIA STATE PLANE GRID, NAD 83, WEST ZONE.
2. ALL EROSION CONTROL MEASURES SHALL BE IN CONFORMANCE WITH THE CURRENT EDITION OF THE "MANUAL FOR EROSION AND SEDIMENT CONTROL IN GEORGIA." STORMWATER CONTROLS AND BEST MANAGEMENT PRACTICES SHALL BE DESIGNED, INSTALLED AND MAINTAINED IN ACCORDANCE WITH THE APPLICABLE NPDES CONSTRUCTION STORMWATER DISCHARGE GENERAL PERMIT, NPDES INDUSTRIAL STORMWATER DISCHARGE GENERAL PERMIT AND/OR THE FACILITY'S NPDES INDUSTRIAL WASTEWATER DISCHARGE INDIVIDUAL PERMIT.
3. STORM WATER DISCHARGES ASSOCIATED WITH ASH POND CLOSURE ACTIVITIES WILL BE COVERED UNDER THE APPLICABLE NPDES CONSTRUCTION STORMWATER DISCHARGE GENERAL PERMIT, NPDES INDUSTRIAL STORMWATER DISCHARGE GENERAL PERMIT AND/OR THE FACILITY'S NPDES INDUSTRIAL WASTEWATER DISCHARGE INDIVIDUAL PERMIT.
4. STATE WATERS BUFFERS SHALL REMAIN UNDISTURBED, EXCEPT WHERE ENCROACHMENT IS REQUIRED TO FACILITATE ASH POND CLOSURE ACTIVITIES. UNLESS OTHERWISE EXEMPTED BY THE APPROPRIATE NPDES CONSTRUCTION STORMWATER DISCHARGE GENERAL PERMIT, A STATE WATERS BUFFER VARIANCE SHALL BE OBTAINED FROM GEORGIA EPD'S WATERSHED PROTECTION BRANCH PRIOR TO BUFFER ENCROACHMENT. GEORGIA EPD'S SOLID WASTE MANAGEMENT BRANCH SHALL BE NOTIFIED WHEN GPC ENVIRONMENTAL AFFAIRS APPLIES FOR A STATE WATERS BUFFER VARIANCE. CONTACT GPC ENVIRONMENTAL AFFAIRS FOR ASSISTANCE.
5. PRIOR TO COMMENCING CONSTRUCTION ACTIVITIES FOR THIS PROJECT, THE PERMITTED BOUNDARY, THE LIMITS OF DISTURBANCE AND ALL WETLANDS AND STATE WATERS BUFFERS WITHIN 200 FEET OF THE LIMITS OF DISTURBANCE OR WITHIN THE PROPERTY BOUNDARY (WHICHEVER IS CLOSER) SHALL BE CLEARLY FLAGGED AND STAKED. THESE MARKINGS SHALL BE MAINTAINED UNTIL COMPLETION OF CONSTRUCTION / CLOSURE ACTIVITIES. SHOULD ANY OF THE MARKINGS BE DISTURBED, THE CONTRACTOR SHALL NOTIFY GEORGIA POWER COMPANY IMMEDIATELY. ALL CONSTRUCTION PERSONNEL SHALL BE SHOWN THE LOCATION OF THE LIMITS OF DISTURBANCE, STATE WATER BUFFERS, STATE WATERS AND WETLANDS OUTSIDE THE LIMITS OF DISTURBANCE TO PREVENT HEAVY EQUIPMENT ENCROACHMENT INTO THESE AREAS.
6. THE GRADE CONTOURS SHOWN IN THE ASH POND, AGGREGATE ROADS, DITCHES, AND AT EXTERIOR SLOPES ARE FINAL GRADE ELEVATIONS. APPROPRIATE SOIL, CLAY, ROCK, ETC. THICKNESSES SHALL BE APPLIED TO CALCULATE SUBGRADE ELEVATIONS.
7. GPC SHALL PROVIDE DESIGNATED ACCESS ROUTE/DIRECTIONS ACROSS THE PLANT PROPERTY.
8. EXISTING ACCESS AND PLANT ROADS SHALL BE MAINTAINED AND REPAIRED AS NECESSARY DURING CONSTRUCTION.
9. ALL DEWATERING, SURFACE WATER RUNOFF CONTROL, PROVISIONS FOR DRAINAGE FOR EXCAVATIONS, AND FOR THE PLACEMENT OF MATERIALS SHALL BE PLANNED AND OPERATED BASED ON CONSTRUCTION NEEDS.
10. ALL WORK SHALL BE IN COMPLIANCE WITH CURRENT OCCUPATIONAL SAFETY AND HEALTH ADMINISTRATION REGULATIONS. ALL SHORING/CRIBBING REQUIRED FOR INSTALLATION OF PIPES AND APPURTENANCES INCLUDING ANY DEEP EXCAVATIONS REQUIRE AN ENGINEER'S DESIGN.
11. STAGING AREAS AND EQUIPMENT MAINTENANCE AREAS SHALL BE LOCATED AT LEAST 200 FEET FROM STREAM BANKS TO MINIMIZE THE POTENTIAL FOR WASH WATER, PETROLEUM PRODUCTS, OR OTHER CONTAMINANTS FROM CONSTRUCTION EQUIPMENT ENTERING THE STREAMS.
12. CONSTRUCTION DEBRIS, FLOWABLE FILL, OLD SUPPORT MATERIALS OR OTHER REFUSE SHALL NOT BE PLACED IN STREAMS OR IN AREAS WHERE MIGRATION INTO STREAMS AND/OR WETLANDS COULD REASONABLY BE EXPECTED.
13. THE CLEAN-UP OF ALL ON-SITE DITCHES, PIPES, MANHOLES, INLETS, ETC. THAT RECEIVE STORMWATER RUNOFF FROM SITE CONSTRUCTION ACTIVITIES SHALL BE PERFORMED.
14. THE CCR REMOVAL STRATEGY IS PROVIDED IN THE CQA PLAN.
15. THE EXCAVATION SEQUENCING PLAN IS PROVIDED IN THE CLOSURE PLAN.

PLOT DATE: 11/08/2018 USER: CHAMBERS, SONIA \\LIST243-F01\SHARED_PROJECTS\175618707\TECHNICAL_PRODUCTION_DRAWING\SHEET_FILES\ASH_POND-A\PERMIT\100%\SUB\18707-002-GN1.DWG

GENERAL NOTES			
CLOSURE DRAWINGS			
FOR PLANT HAMMOND - GEORGIA POWER ASH POND 4 (AP-4) - DEWATERED CCR SURFACE IMPOUNDMENT FLOYD COUNTY, GEORGIA			
			
1110 Market Street, Suite 214A Chattanooga, Tennessee 37402-2863 www.stantec.com			
PROJ. NO.	175618707	DWG.	18707-002-GN1
SCALE	AS SHOWN	EDIT	MM/DD/YY
DATE	NOVEMBER 2018	SHEET	2 OF 12





MAPPING NOTE:
 TOPOGRAPHIC AND PLANIMETRIC SURVEY INFORMATION FOR THE PLANS WAS OBTAINED FROM DRAWING P317-3, REV 3 BY METRO ENGINEERING & SURVEYING CO., INC. DATED FEBRUARY 26, 2013. ALL COORDINATES ARE BASED ON NORTH AMERICAN DATUM 83 (NAD 83), GEORGIA STATE PLANE, WEST ZONE. ALL ELEVATIONS ARE BASED ON THE NORTH AMERICAN VERTICAL DATUM 88 (NAVD 88).

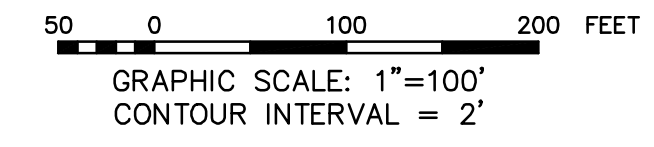
- NOTES:**
- LIMITS OF CCR BASED ON AS-BUILT SURVEY INFORMATION FROM DRAWING NO. H-11561, TYPICAL POTENTIOMETRIC SURFACE FEBRUARY 2013 FROM THE AP-4 GROUND WATER AND SURFACE WATER MONITORING PLAN. THE LIMIT OF CCR WILL BE VERIFIED DURING CONSTRUCTION.
 - EXISTING DOWN DRAIN PIPES, PERIMETER DITCH LINING, AND FLUMES SHALL BE DEMOLISHED DURING CLOSURE-BY-REMOVAL CONSTRUCTION. OTHER FEATURES TO BE CLOSED OR REMOVED AS NOTED.
 - GPC IS REMOVING THE CCR MATERIAL FROM THIS UNIT. FUTURE STAGING AND LOADING AREAS WILL BE CONSTRUCTED AS PART OF THE REMOVAL PROCESS. THE STAGING AREA SHOWN IS SUBJECT TO RELOCATION DURING FINAL DESIGN.

CONTROL MONUMENT TABLE			
MONUMENT	NORTHING	EASTING	ELEVATION (FEET)
CM-3	1,548,841.86	1,934,878.26	588.00

TABLE OF PROJECT BASELINE COORDINATES								
NUMBER	BEGIN STATION	NORTHING	EASTING	LENGTH	BEARING	END STATION	NORTHING	EASTING
L1	10+00.00	1,548,399.91	1,934,257.13	3100.0'	N90°00'00"E	41+00.00	1,548,399.91	1,937,357.13



- LEGEND**
- 500- EXISTING INDEX CONTOUR
 - - - - EXISTING INTERMEDIATE CONTOUR
 - - - - EDGE OF WATER
 - - - - FLOOD HAZARD LIMITS
 - - - - APPROXIMATE LAND LOT LINE
 - - - - GRAVEL ROAD
 - - - - TREE LINE
 - X - FENCE
 - OHE - OVERHEAD ELECTRIC POWER POLE
 - - - - PERMIT BOUNDARY
 - - - - PROPERTY BOUNDARY
 - - - - STREAM BUFFER
 - - - - GUARDRAIL
 - - - - LIMITS OF CCR



EXISTING CONDITIONS

CLOSURE DRAWINGS
 FOR
 PLANT HAMMOND - GEORGIA POWER
 ASH POND 4 (AP-4) - DEWATERED CCR SURFACE IMPOUNDMENT
 FLOYD COUNTY, GEORGIA

Stantec

1110 Market Street, Suite 214A
 Chattanooga, Tennessee 37402-2863
 www.stantec.com

PROJ. NO.	175618707	DWG.	03_18707-101-EC01	EDIT	04/03/20
SCALE	1"=100'	SHEET 3 OF 12			
DATE	APRIL 2020				

PLOT DATE: 08/22/2019 USER: JOHNSON, TRACY (LEXINGTON) US: 175618707\TECHNICAL_PRODUCTION\DRAWINGS\ASHPOND_4\PERMIT\100%_SUB_03_18707-101-EC01.DWG

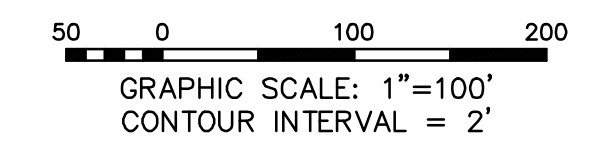
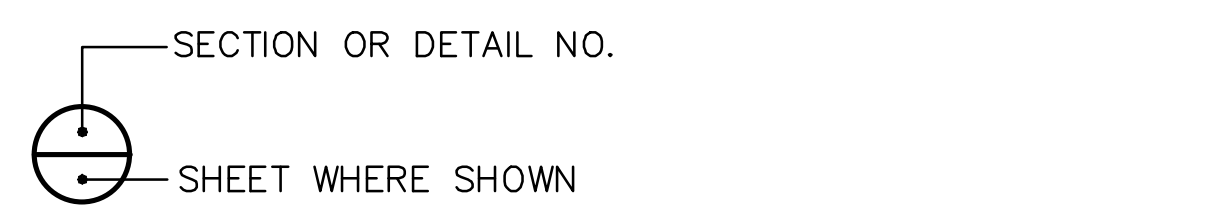


LEGEND

—500—	EXISTING INDEX CONTOUR
—570—	EXISTING INTERMEDIATE CONTOUR
—	EDGE OF WATER
---	FLOOD HAZARD LIMITS
---	APPROXIMATE LAND LOT LINE
---	GRAVEL ROAD
---	TREE LINE
X	FENCE
OHE	OVERHEAD ELECTRIC
○	POWER POLE
- - -	PERMIT BOUNDARY
---	PROPERTY BOUNDARY
---	STREAM BUFFER
---	GUARDRAIL
---	LIMITS OF CCR
—500—	PROPOSED INDEX CONTOUR
—570—	PROPOSED INTERMEDIATE CONTOUR

- NOTES:**
1. THE PROPOSED CONTOURS SHOWN CORRESPOND TO THE BOTTOM OF ASH AS SHOWN ON DRAWING H-267, ASH POND NO. 4 LAYOUT DATED AUGUST, 1986.
 2. THE PROPOSED CONTOURS SHOWN ARE SUBJECT TO CHANGE BASED ON CONDITIONS ENCOUNTERED IN THE FIELD.
 3. DEWATERING OR MOISTURE CONDITIONING OF ASH MATERIAL AS DISCUSSED IN THE CLOSURE PLAN SHALL BE PERFORMED WITHIN THE CURRENT AP-4 CCR LIMITS AS NEEDED.
 4. STORMWATER AND CONTACT WATER SHALL BE PUMPED FROM THE FUTURE SUMPS TO THE NPDES TREATMENT SYSTEM.
 5. THE SURFACE SHOWN IS THE CCR/SOIL INTERFACE DESCRIBED IN THE CCR REMOVAL VERIFICATION PROTOCOL IN THE CQA PLAN.

MAPPING NOTE:
 TOPOGRAPHIC AND PLANIMETRIC SURVEY INFORMATION FOR THE PLANS WAS OBTAINED FROM DRAWING P317-3, REV 3 BY METRO ENGINEERING & SURVEYING CO., INC. DATED FEBRUARY 26, 2013. ALL COORDINATES ARE BASED ON NORTH AMERICAN DATUM 83 (NAD 83), GEORGIA STATE PLANE, WEST ZONE. ALL ELEVATIONS ARE BASED ON THE NORTH AMERICAN VERTICAL DATUM 88 (NAVD 88).



EXCAVATION PLAN

CLOSURE DRAWINGS
 FOR
 PLANT HAMMOND - GEORGIA POWER
 ASH POND 4 (AP-4) - DEWATERED CCR SURFACE IMPOUNDMENT
 FLOYD COUNTY, GEORGIA

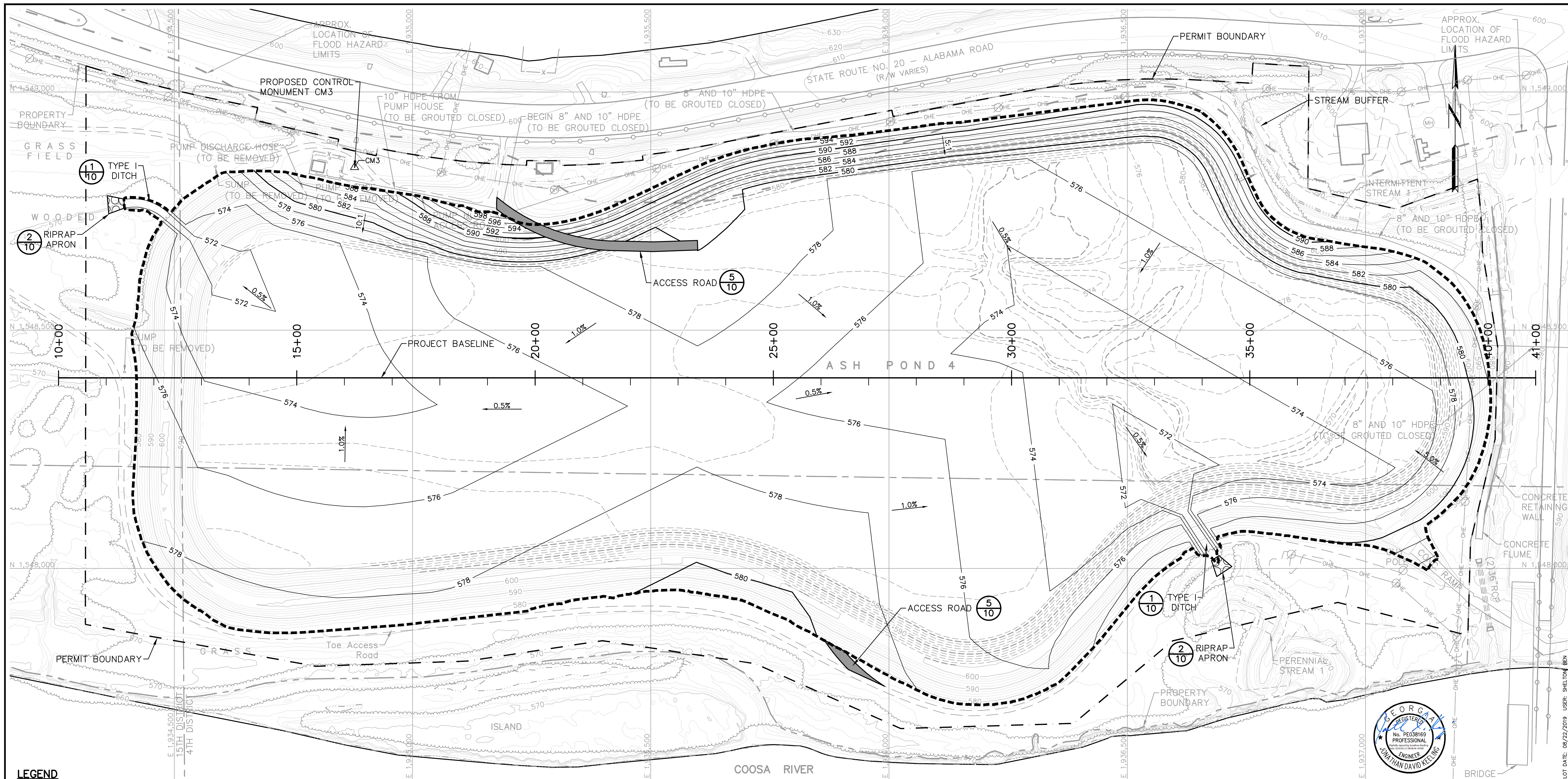
1110 Market Street, Suite 214A
 Chattanooga, Tennessee 37402-2863
 www.stantec.com

Stantec

PROJ. NO.	175618707	DWG.	04_18707-102-EX01	EDIT	04/03/20
SCALE	1"=100'				
DATE	APRIL 2020				

SHEET 4 OF 12

PLOT DATE: 08/22/2019 USER: SHELTON, BEN
 I:\USD243-PF5801\SHARED_PROJECTS\75618707\TECHNICAL_PRODUCTION_DRAWING_SHEET_FILES\ASH_POND_4\PERMIT_102K_SUB_04_18707-102-EX01.DWG



- LEGEND**
- 500— EXISTING INDEX CONTOUR
 - 500— EXISTING INTERMEDIATE CONTOUR
 - — — EDGE OF WATER
 - — — FLOOD HAZARD LIMITS
 - — — APPROXIMATE LAND LOT LINE
 - — — GRAVEL ROAD
 - — — TREE LINE
 - X — FENCE
 - OHE — OVERHEAD ELECTRIC POWER POLE
 - — — PERMIT BOUNDARY
 - — — PROPERTY BOUNDARY
 - — — STREAM BUFFER
 - — — GUARDRAIL
 - 500— EXCAVATION INDEX CONTOUR
 - — — EXCAVATION INTERMEDIATE CONTOUR
 - — — EXCAVATION GRADING BOUNDARY

- 500— PROPOSED INDEX CONTOUR
- — — PROPOSED INTERMEDIATE CONTOUR
- — — FINAL GRADING BOUNDARY
- — — ASH POND DIKE EXCAVATION BOUNDARY
- △ PROPOSED CONTROL MONUMENT

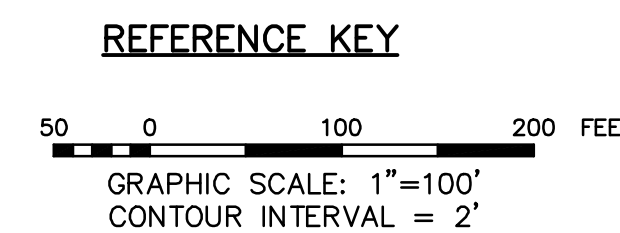


MAPPING NOTE:
 TOPOGRAPHIC AND PLANIMETRIC SURVEY INFORMATION FOR THE PLANS WAS OBTAINED FROM DRAWING P317-3, REV 3 BY METRO ENGINEERING & SURVEYING CO., INC. DATED FEBRUARY 26, 2013. ALL COORDINATES ARE BASED ON NORTH AMERICAN DATUM 83 (NAD 83), GEORGIA STATE PLANE, WEST ZONE. ALL ELEVATIONS ARE BASED ON THE NORTH AMERICAN VERTICAL DATUM 88 (NAVD 88).

NOTES:

- SOIL EXCAVATED FROM THE PERIMETER DIKE CREST AND BREACHES MAY BE PLACED WITHIN THE INTERIOR TO THE PROPOSED LINES AND GRADES SHOWN.
- THE PERIMETER DIKE BREACHES SHALL NOT BE EXCAVATED (AND PUMPING FROM THE SUMPS SHALL CONTINUE) UNTIL VEGETATION HAS BEEN ESTABLISHED ON THE FINAL GRADE SURFACE AND APPROVAL OBTAINED FROM THE OWNER OR THEIR REPRESENTATIVE.
- PROPOSED GRADES SHOWN SHALL BE CONSIDERED THE MINIMUM TO ACHIEVE POSITIVE DRAINAGE.
- THE PROPOSED CONTROL MONUMENT MAY BE RELOCATED DURING FINAL DESIGN

SECTION OR DETAIL NO. _____
 SHEET WHERE SHOWN _____



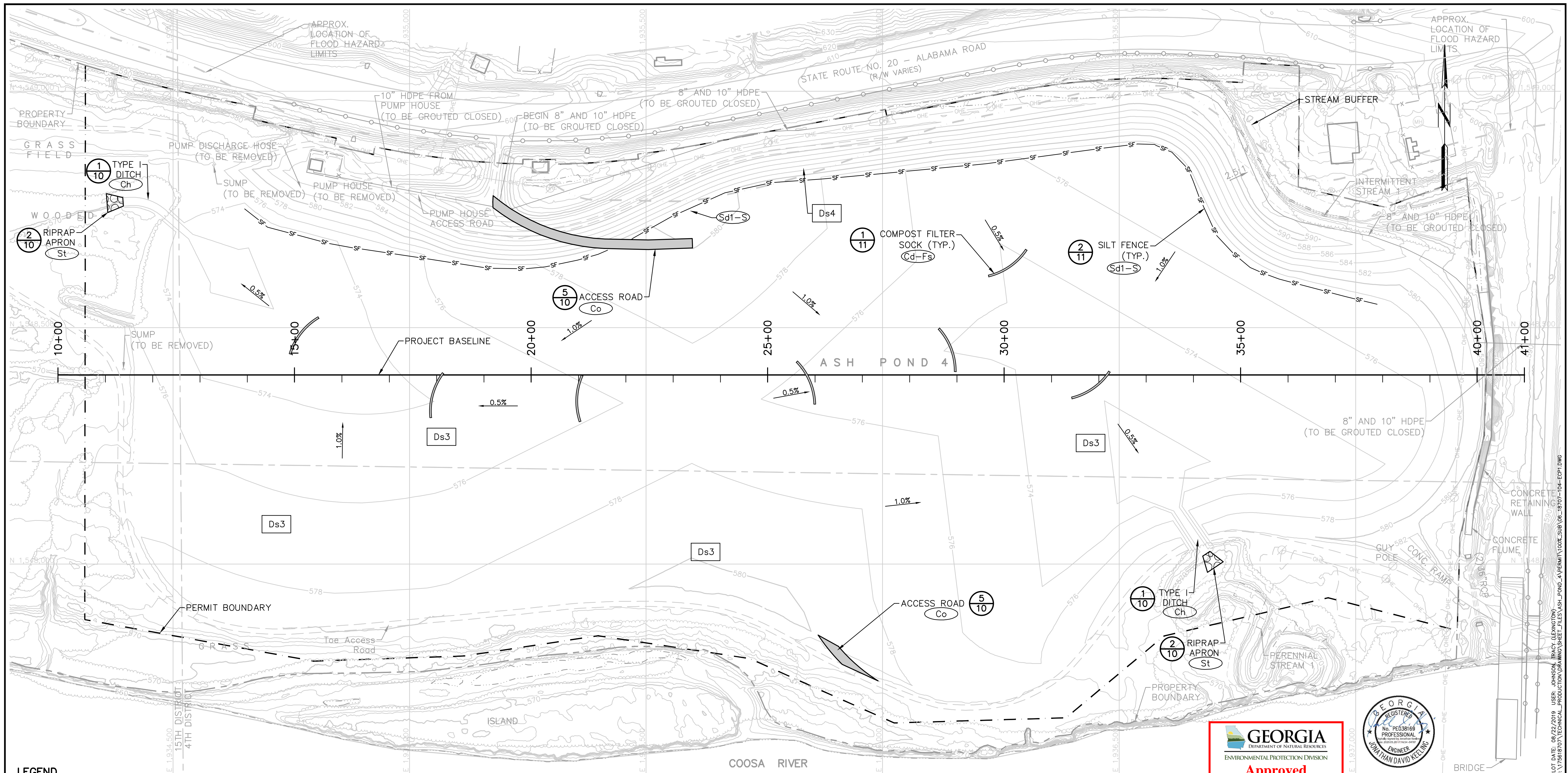
FINAL GRADE PLAN

CLOSURE DRAWINGS
 FOR
 PLANT HAMMOND - GEORGIA POWER
 ASH POND 4 (AP-4) - DEWATERED CCR SURFACE IMPOUNDMENT
 FLOYD COUNTY, GEORGIA

1110 Market Street, Suite 214A
 Chattanooga, Tennessee 37402-2863
 www.stantec.com

PROJ. NO.	175618707	DWG.	05_18707-103-FG01	EDIT	04/03/20
SCALE	1"=100'				
DATE	APRIL 2020	SHEET 5 OF 12			

PLOT DATE: 08/22/2019 USER: SHELTON BEN
 \US0243-PPF5801\SHARED_PROJECTS\175618707\TECHNICAL_PRODUCTION\DRAWING\SHEET_FILES\ASH_POND_4\FINAL_FG01.DWG



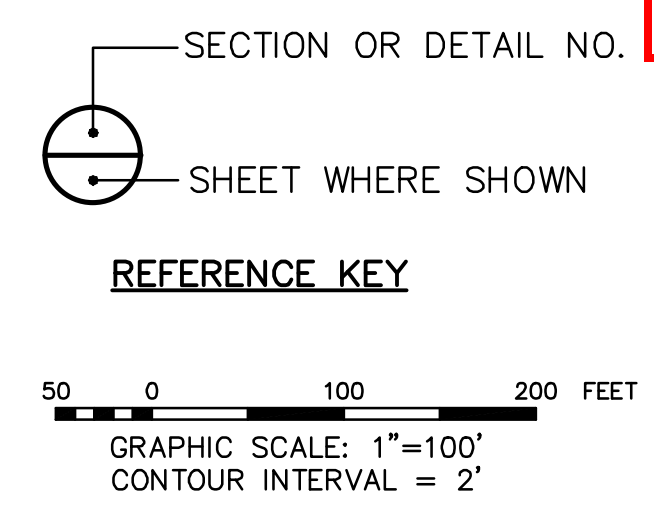
LEGEND

	EXISTING INDEX CONTOUR
	EXISTING INTERMEDIATE CONTOUR
	EDGE OF WATER
	FLOOD HAZARD LIMITS
	APPROXIMATE LAND LOT LINE
	GRAVEL ROAD
	TREE LINE
	FENCE
	OVERHEAD ELECTRIC POWER POLE
	PERMIT BOUNDARY
	PROPERTY BOUNDARY
	STREAM BUFFER
	GUARDRAIL
	SILT FENCE
	COMPOSITE FILTER SOCK

	DISTURBED AREA STABILIZATION (WITH PERMANENT VEGETATION)
	DISTURBED AREA STABILIZATION (WITH SODDING STAKED)
	COMPOST FILTER SOCK
	CHANNEL STABILIZATION
	CONSTRUCTION EXIT
	SILT FENCE
	STORM DRAIN OUTLET PROTECTION

MAPPING NOTE:
 TOPOGRAPHIC AND PLANIMETRIC SURVEY INFORMATION FOR THE PLANS WAS OBTAINED FROM DRAWING P317-3, REV 3 BY METRO ENGINEERING & SURVEYING CO., INC. DATED FEBRUARY 26, 2013. ALL COORDINATES ARE BASED ON NORTH AMERICAN DATUM 83 (NAD 83), GEORGIA STATE PLANE, WEST ZONE. ALL ELEVATIONS ARE BASED ON THE NORTH AMERICAN VERTICAL DATUM 88 (NAVD 88).

NOTES:
 1. THE EROSION CONTROL PLAN MEASURES SHOWN SHALL BE CONSIDERED THE MINIMUM; SUPPLEMENTAL MEASURES SHALL BE PROVIDED AS FIELD CONDITIONS DICTATE OR AS DIRECTED BY THE ENGINEER, OWNER, OR ANY REGULATORY AUTHORITY.



GEORGIA
 DEPARTMENT OF NATURAL RESOURCES
 ENVIRONMENTAL PROTECTION DIVISION

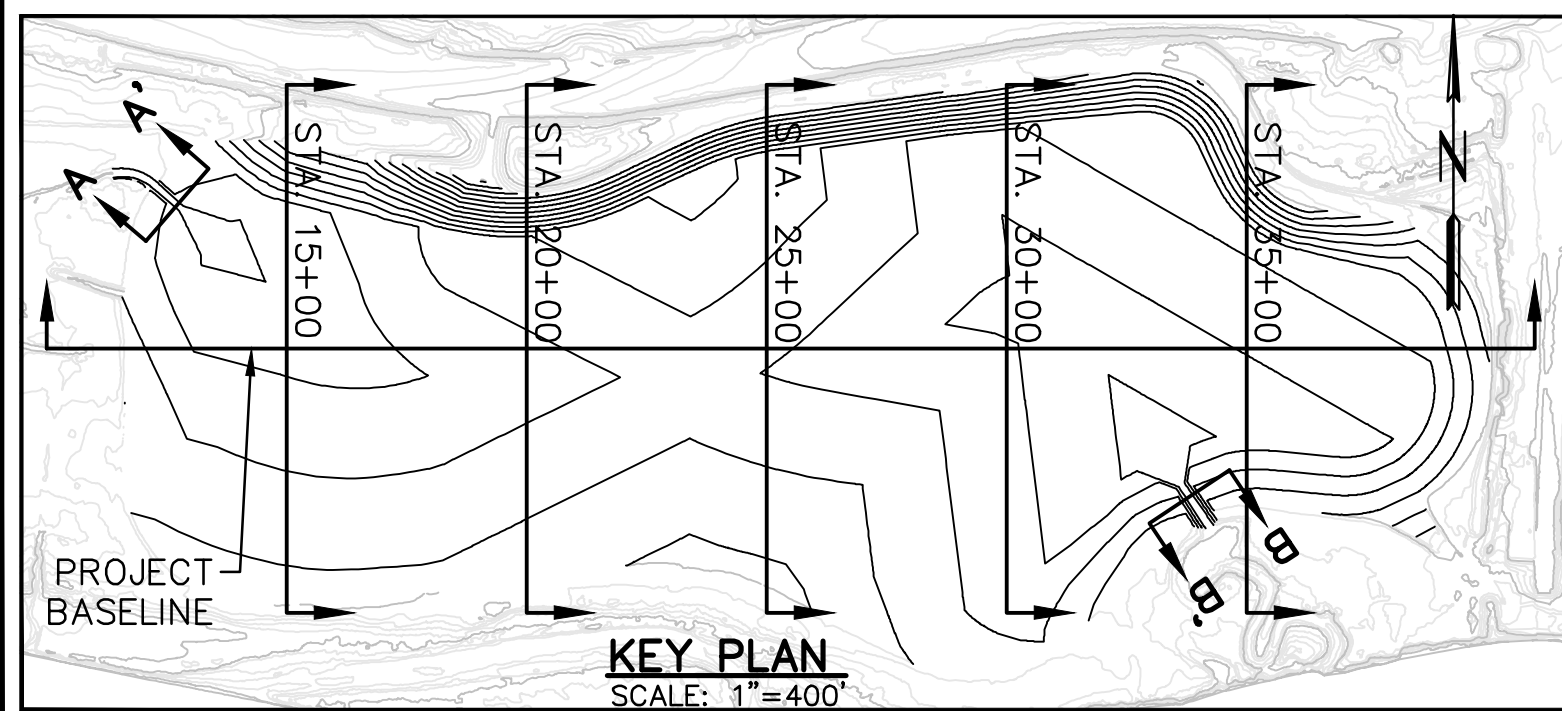
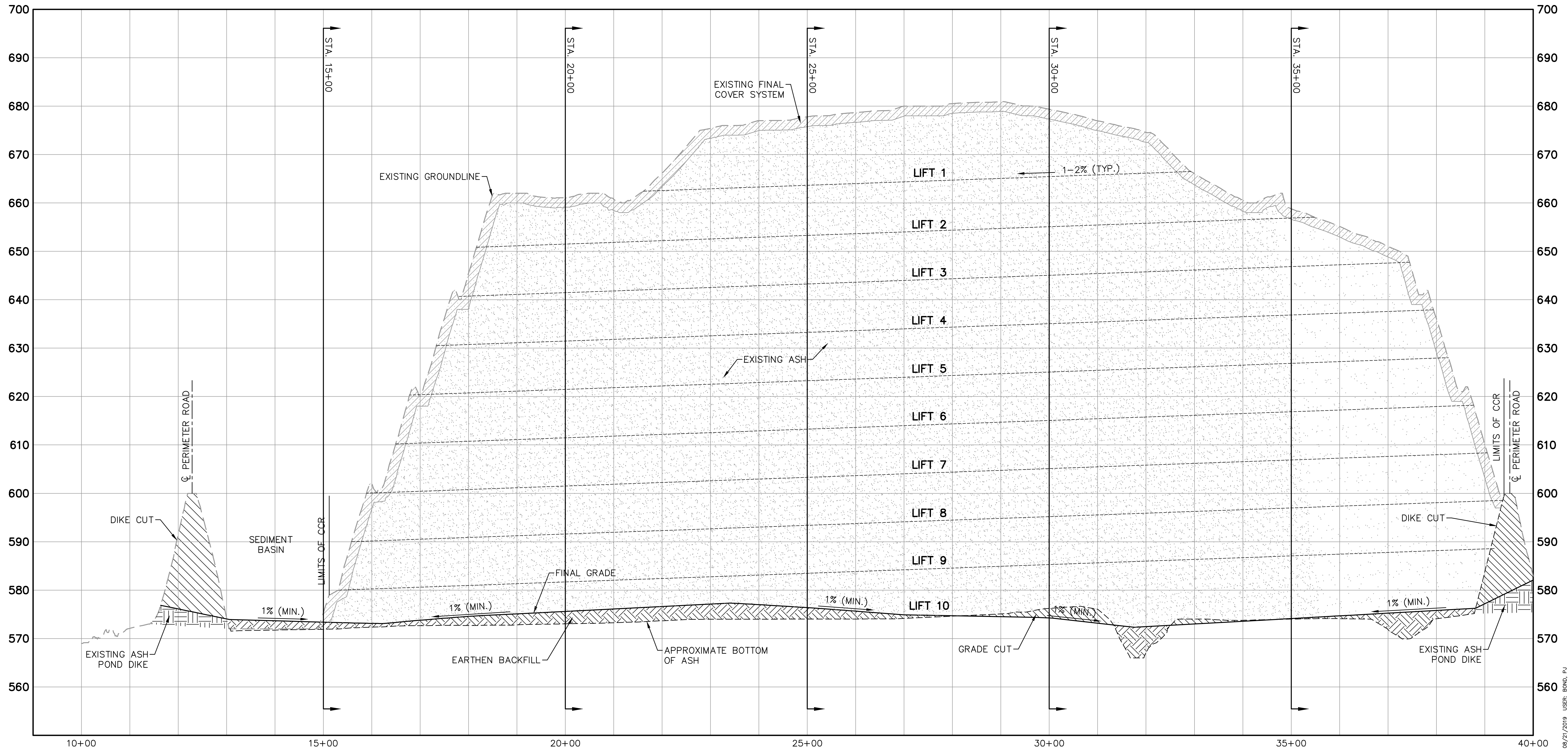
Approved
 Solid Waste Management Program

Approved By: _____

REGISTERED PROFESSIONAL ENGINEER
 No. PE038166
 JONATHAN DAVID KEELING

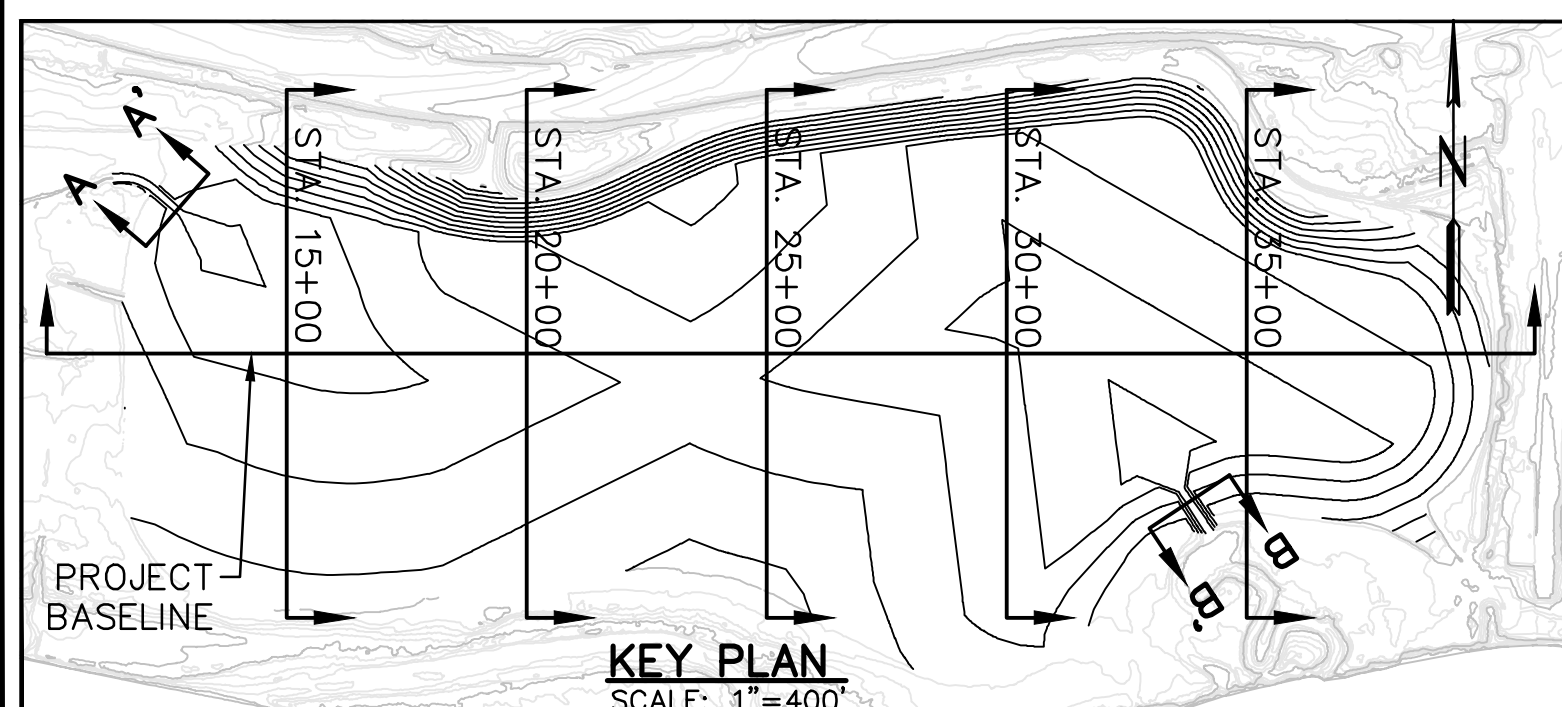
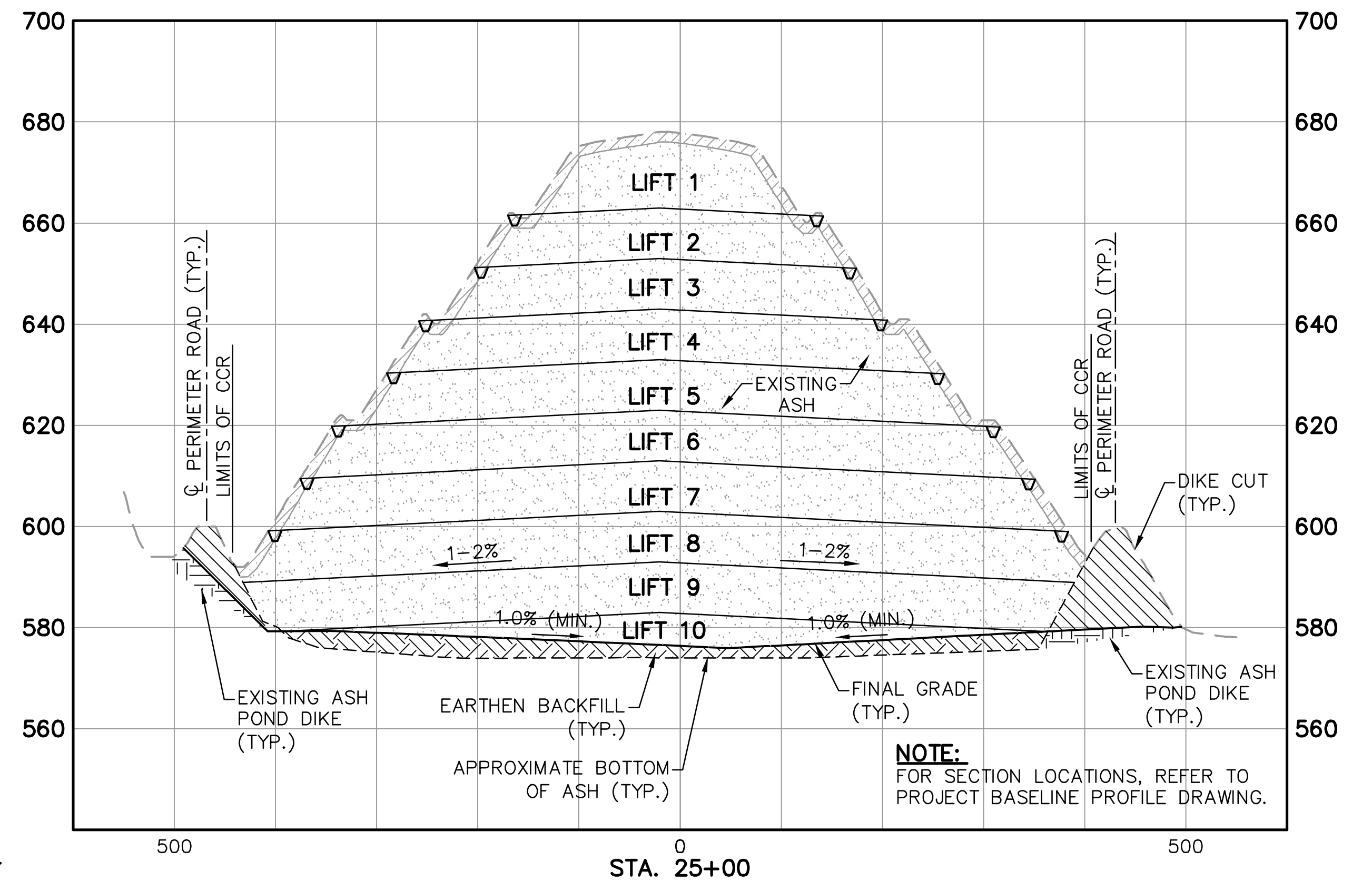
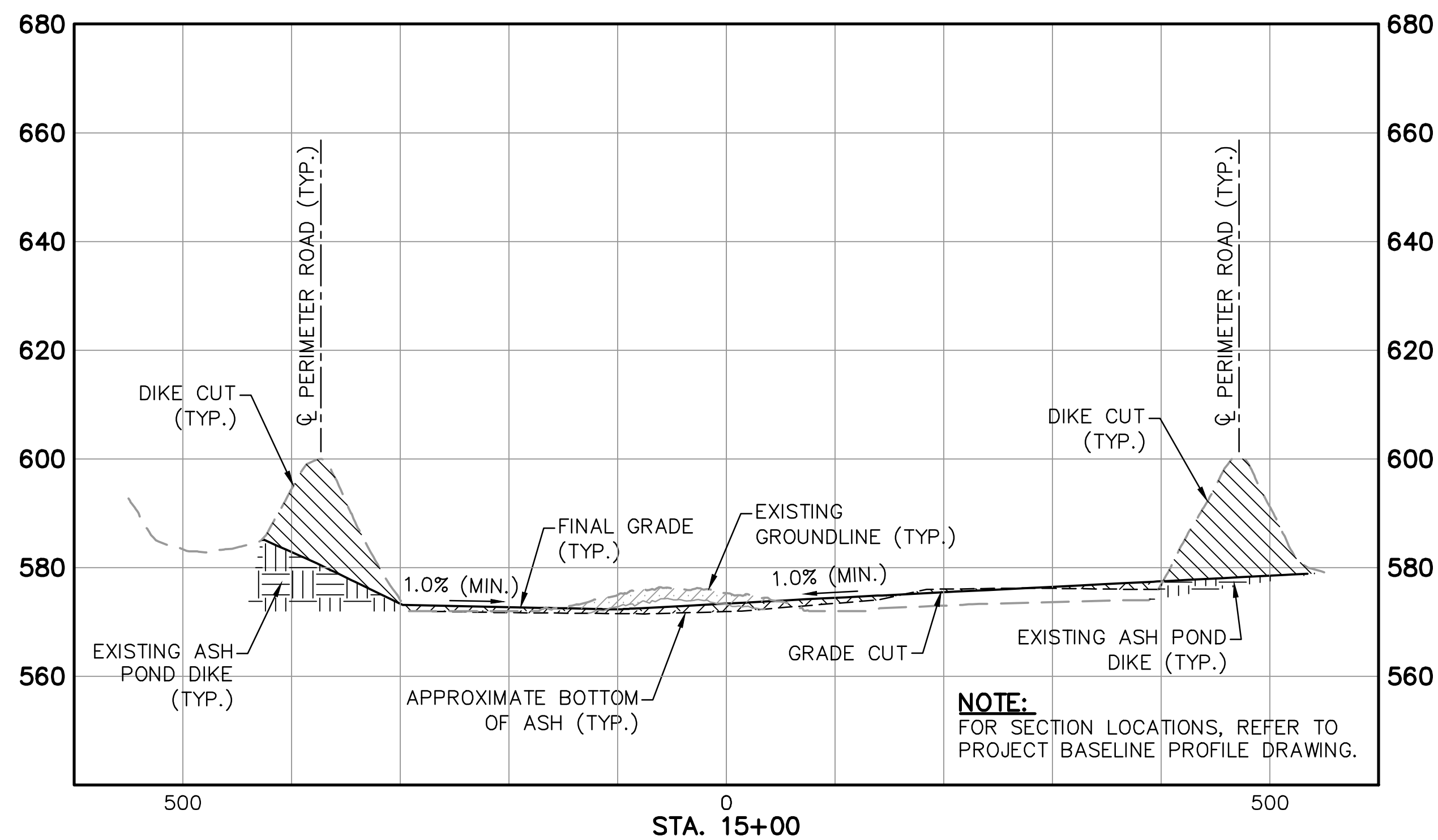
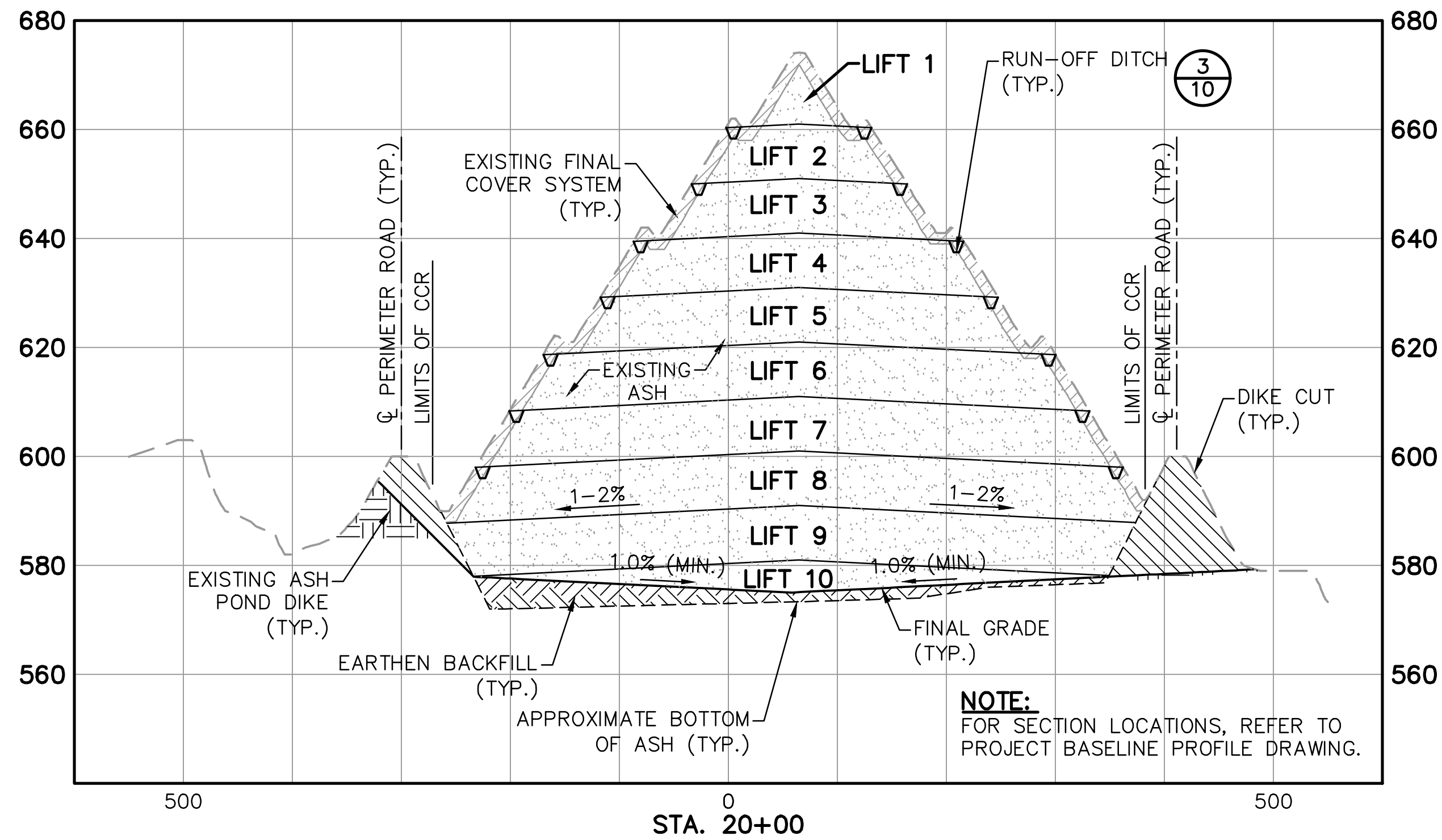
EROSION CONTROL PLAN			
CLOSURE DRAWINGS			
FOR PLANT HAMMOND - GEORGIA POWER ASH POND 4 (AP-4) - DEWATERED CCR SURFACE IMPOUNDMENT FLOYD COUNTY, GEORGIA			
1110 Market Street, Suite 214A Chattanooga, Tennessee 37402-2863 www.stantec.com			
PROJ. NO.	175618707	DWG.	06_18707-104-ECP1
SCALE	1"=100'	EDIT	04/03/20
DATE	APRIL 2020	SHEET 6 OF 12	

PLOT DATE: 08/22/2019 USER: JOHNSON, TRACY (LEXINGTON) I:\175618707\TECHNICAL_PRODUCTION\DRAWINGS\SHEET_FILES\ASH_POND_4\PERMIT\100%_SUB\06_18707-104-ECP1.DWG




BASELINE PROFILE CLOSURE DRAWINGS FOR PLANT HAMMOND - GEORGIA POWER ASH POND 4 (AP-4) - DEWATERED CCR SURFACE IMPOUNDMENT FLOYD COUNTY, GEORGIA		
1110 Market Street, Suite 214A Chattanooga, Tennessee 37402-2863 www.stantec.com		
PROJ. NO. 175618707 SCALE AS SHOWN DATE AUGUST 2019	DWG. 07_18707-301-PF01 SHEET 7 OF 12	EDIT MM/DD/YY

PLOT DATE: 08/21/2019 USER: BOND, P.J. U:\175618707\TECHNICAL_PRODUCTION_DRAWING\ASHPOND4\PERMIT100%_SUB07_301-PF01.DWG



CROSS SECTIONS
 SCALE: 1"=100' (HORIZONTAL)
 1"=20' (VERTICAL)

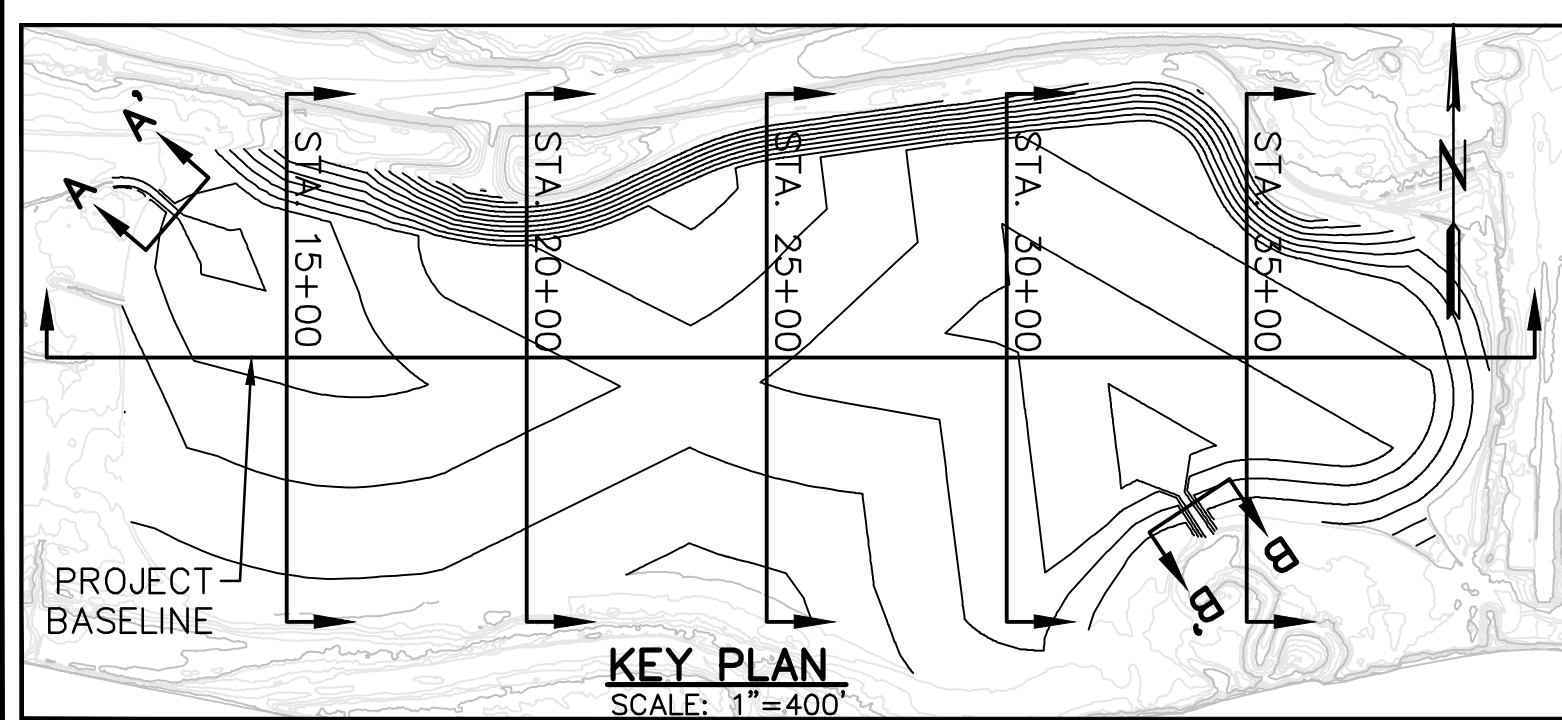
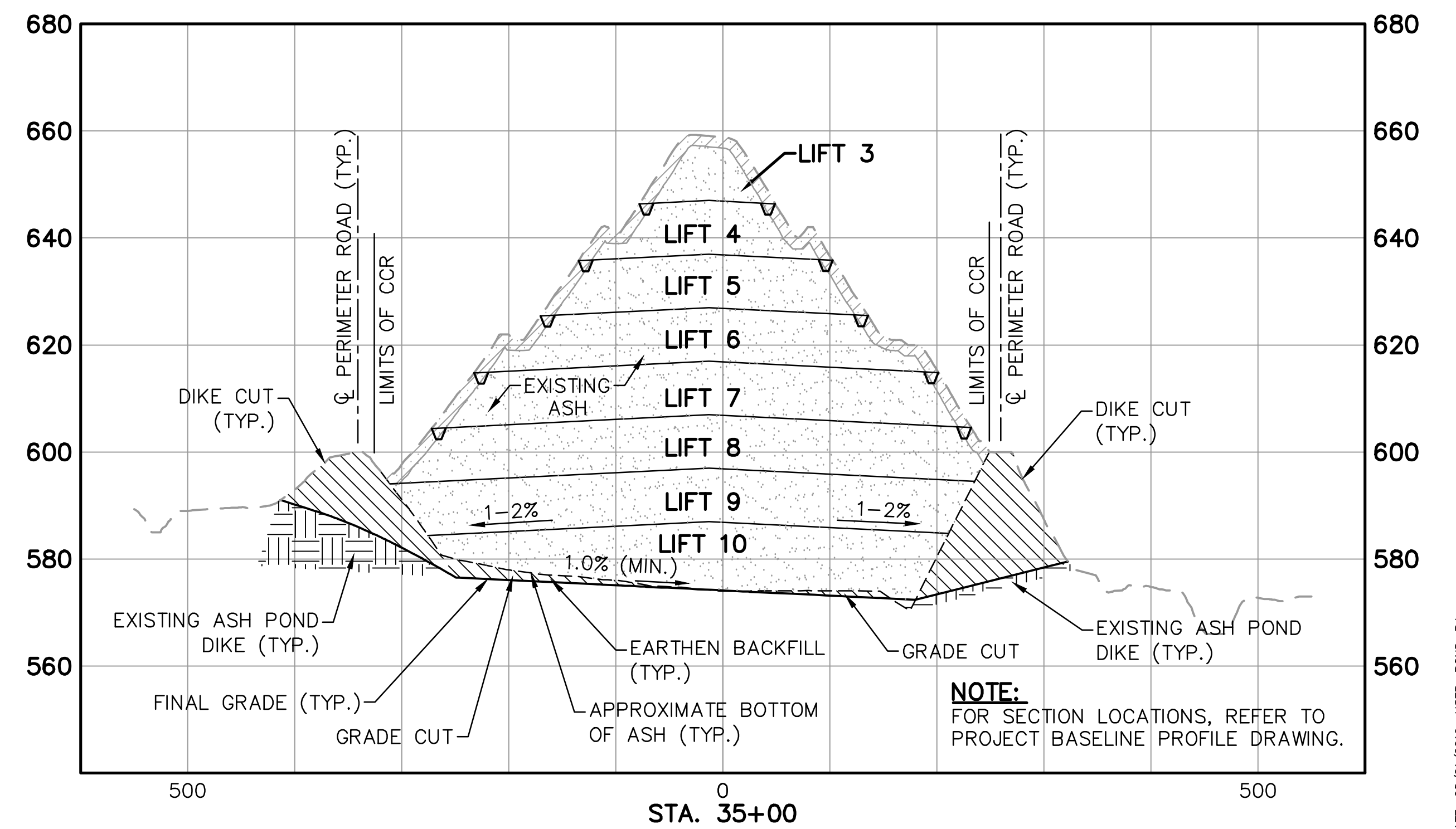
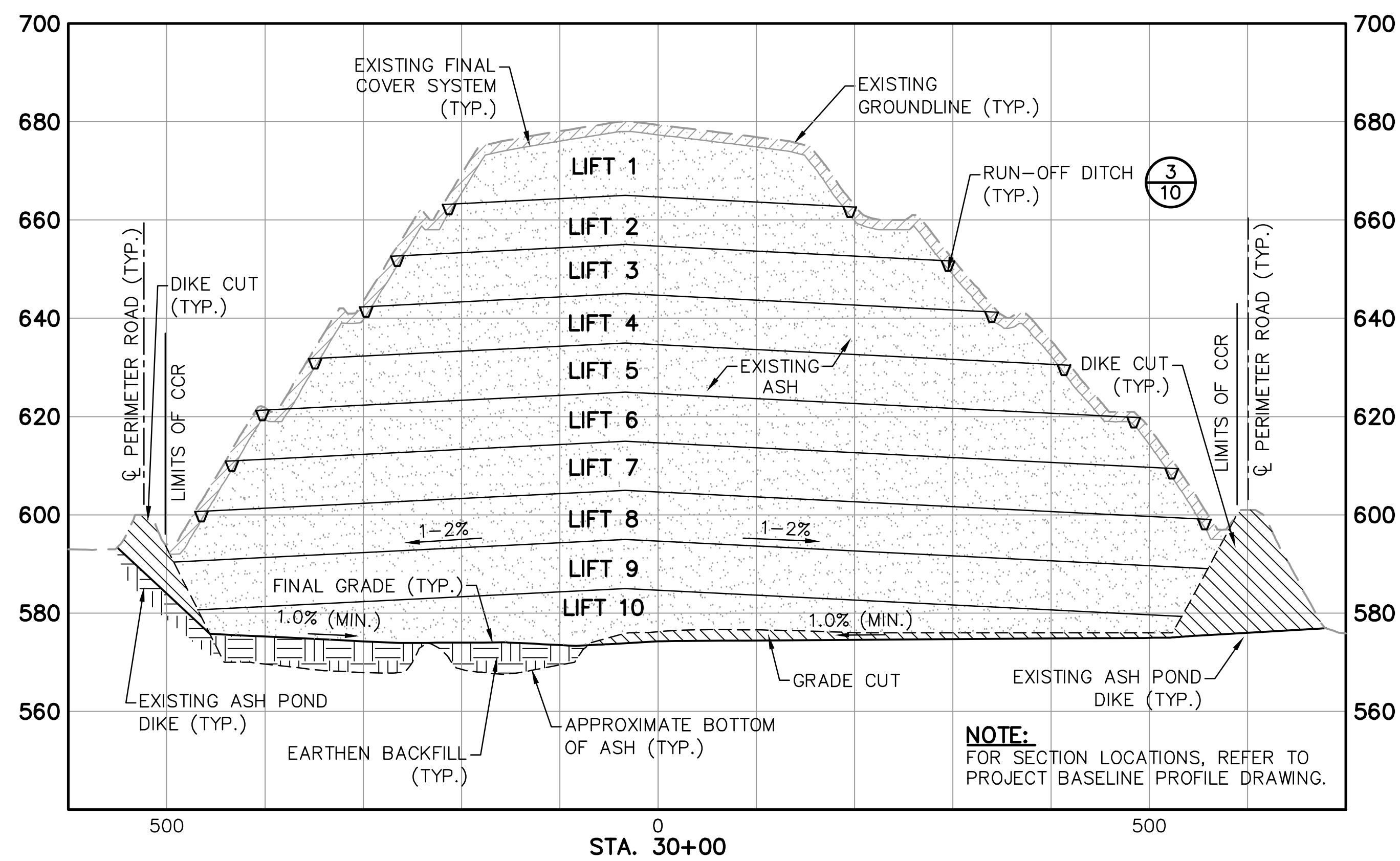
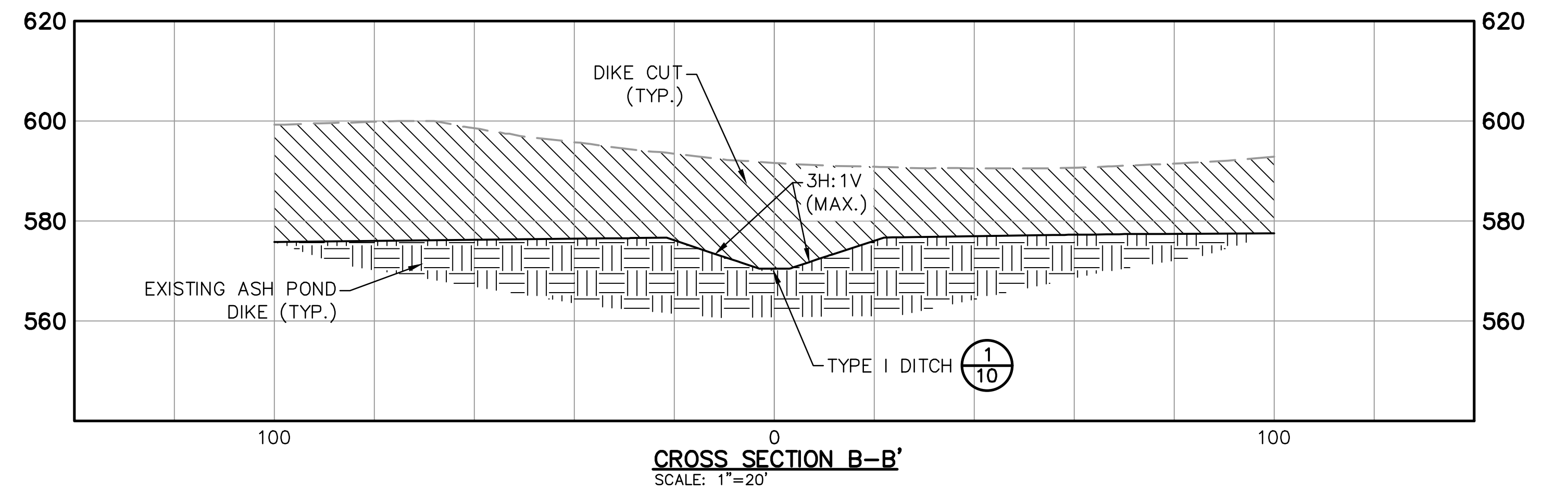
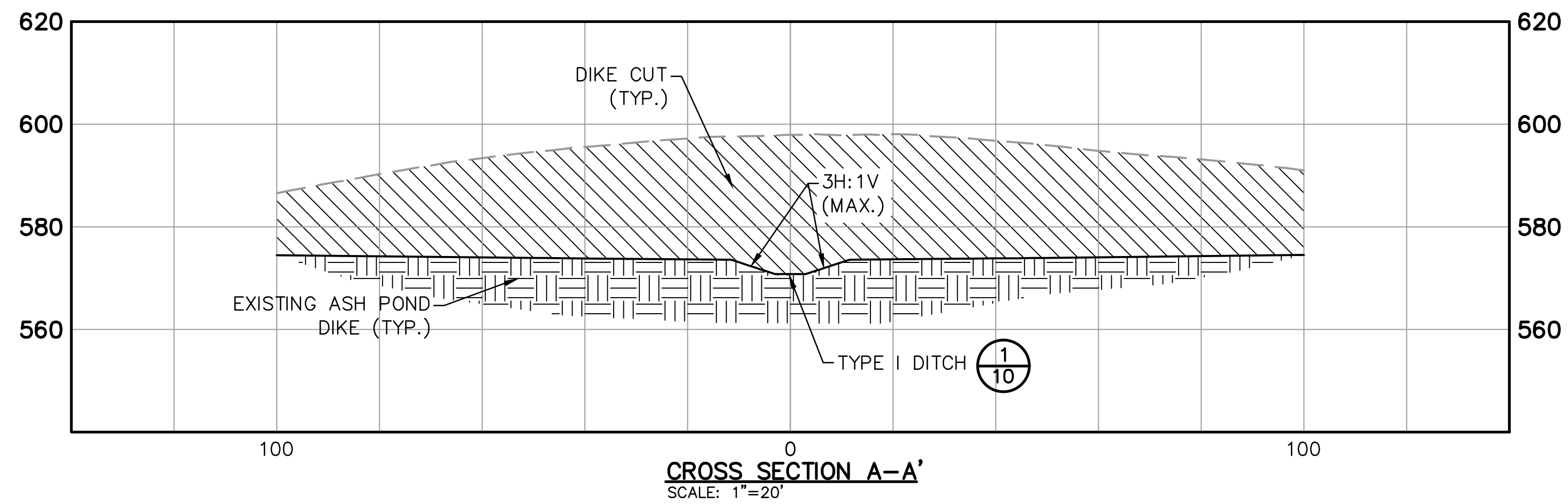
SECTION OR DETAIL NO.
 SHEET WHERE SHOWN

REFERENCE KEY



CROSS SECTIONS			
CLOSURE DRAWINGS			
FOR			
PLANT HAMMOND - GEORGIA POWER			
ASH POND 4 (AP-4) - DEWATERED CCR SURFACE IMPOUNDMENT			
FLOYD COUNTY, GEORGIA			
1110 Market Street, Suite 214A Chattanooga, Tennessee 37402-2863 www.stantec.com			
PROJ. NO.	175618707	DWG.	08-09_18707-302.XS01
SCALE	AS SHOWN	EDIT	MM/DD/YY
DATE	AUGUST 2019	SHEET	8 OF 12

PLOT DATE: 08/21/2019 USER: BOND, P.J. U:\175618707\TECHNICAL_PRODUCTION_DRAWINGS\SHEET_FILES\ASH_POND_4\PERMIT\100%_SUB_08-09_18707-302_XS01.DWG



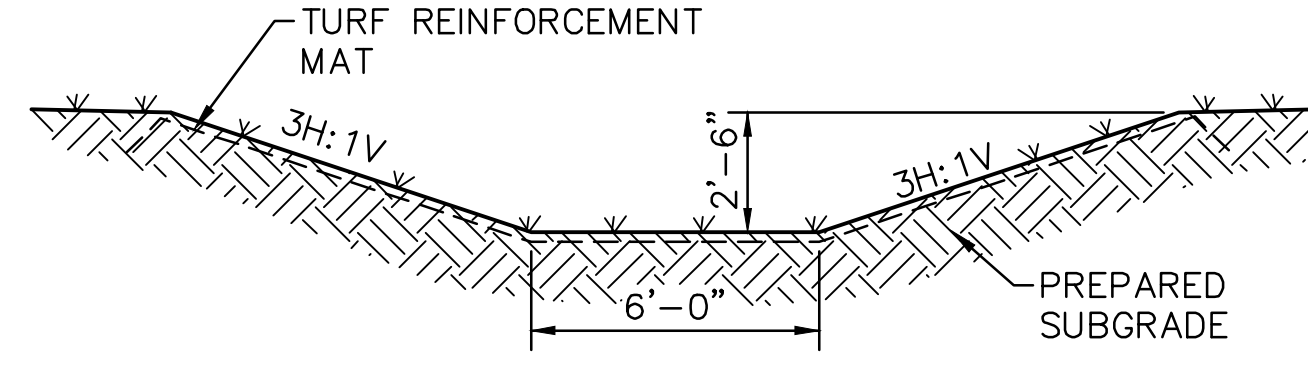
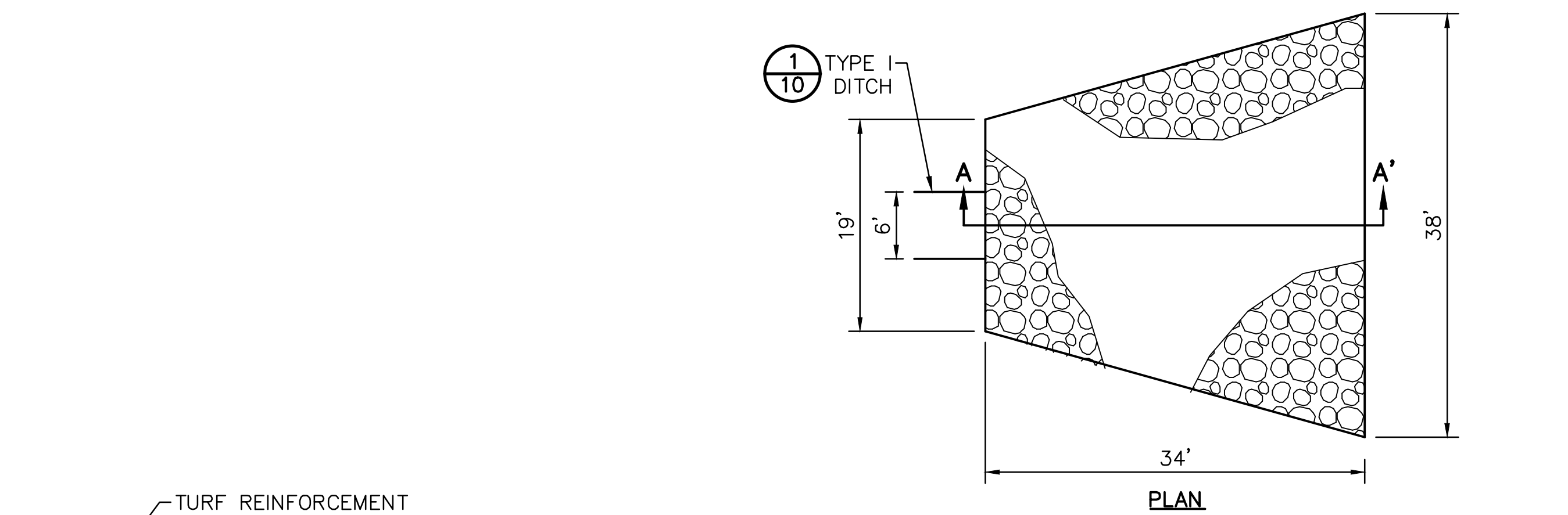
SECTION OR DETAIL NO.
SHEET WHERE SHOWN

REFERENCE KEY

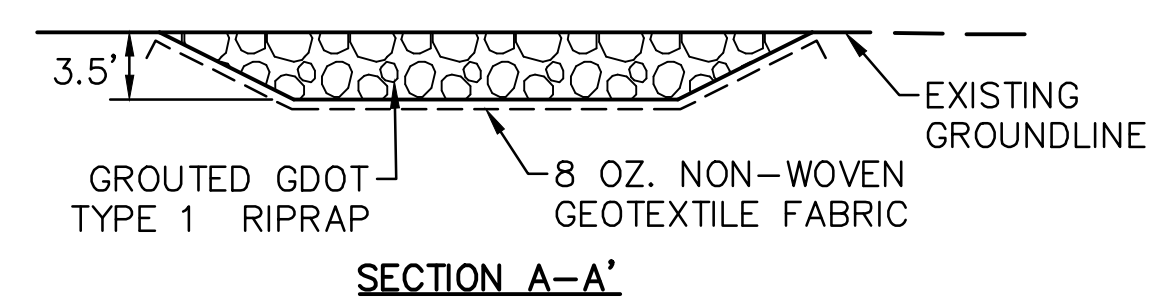
CROSS SECTIONS			
CLOSURE DRAWINGS			
FOR			
PLANT HAMMOND - GEORGIA POWER			
ASH POND 4 (AP-4) - DEWATERED CCR SURFACE IMPOUNDMENT			
FLOYD COUNTY, GEORGIA			
1110 Market Street, Suite 214A Chattanooga, Tennessee 37402-2863 www.stantec.com			
PROJ. NO.	175618707	DWG.	08-09_18707-302.XS01
SCALE	AS SHOWN	EDIT	MM/DD/YY
DATE	AUGUST 2019	SHEET	9 OF 12



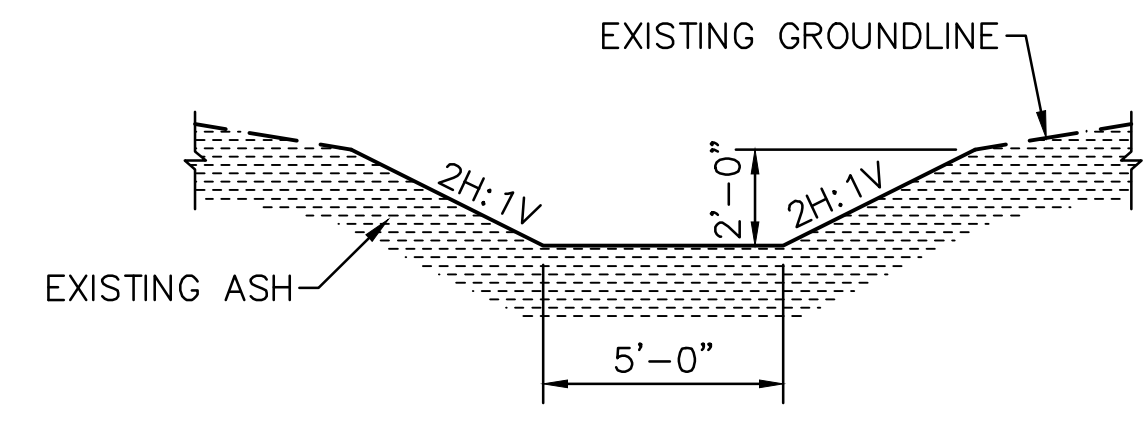
PLOT DATE: 08/21/2019 USER: BOND, P.J. U:\175618707\TECHNICAL_PRODUCTION_DRAWING\DRAWING_SHEET_FILES\ASH_POND_4\PERMIT\100%_SUB_08-09_18707-302_XS01.DWG



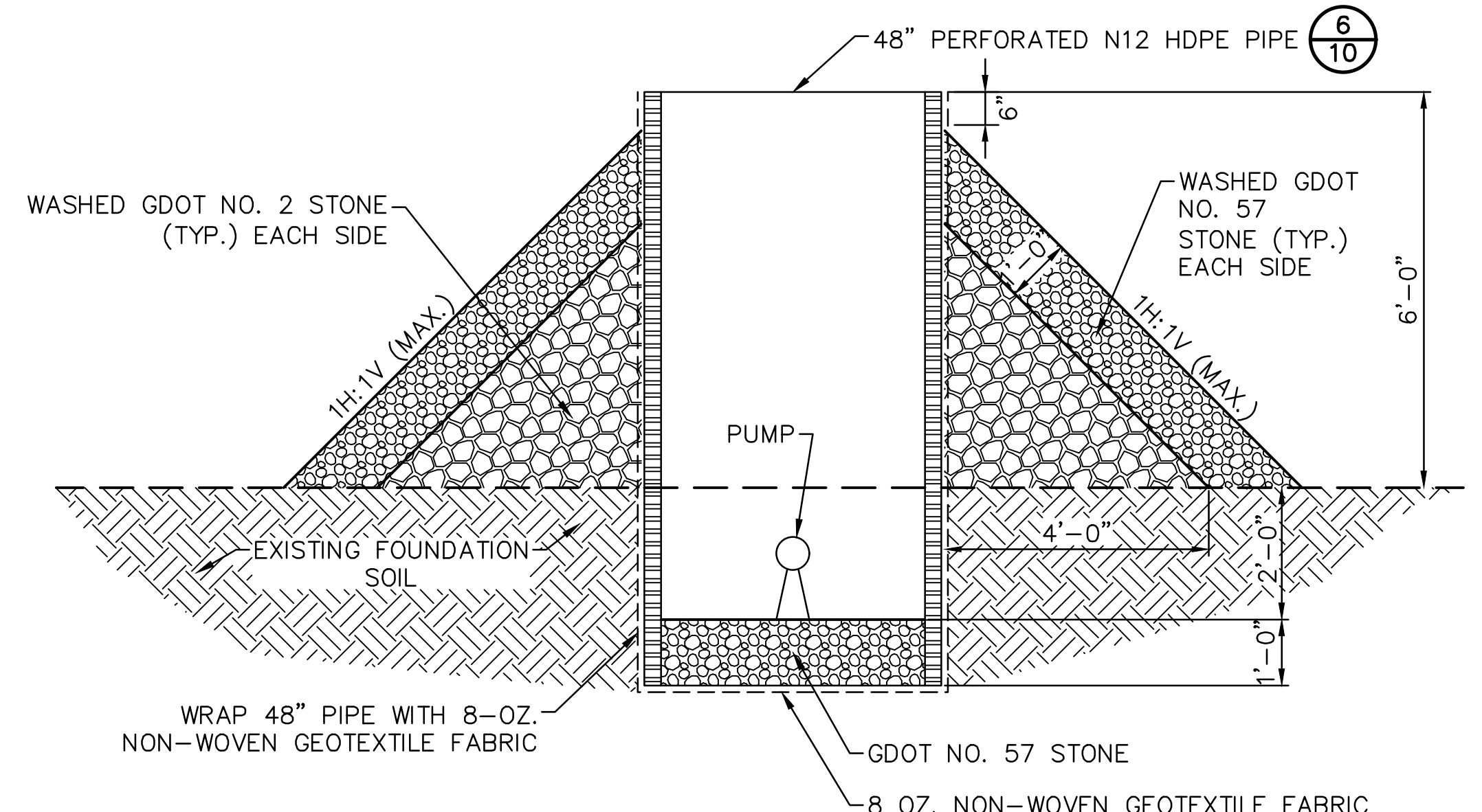
1/10 DETAIL - TYPE I DITCH (Ch)
SCALE: 1/4"=1'-0" DTL-TYPE I DITCH.DWG



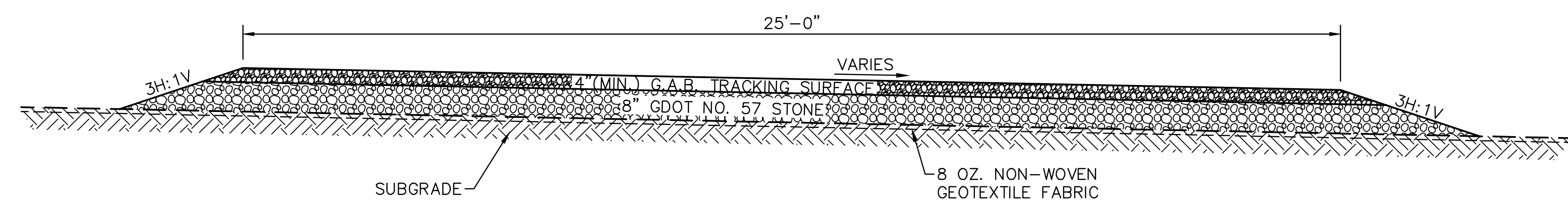
2/10 DETAIL - RIPRAP APRON (St)
SCALE: 1"=10' DTL-APRON.DWG



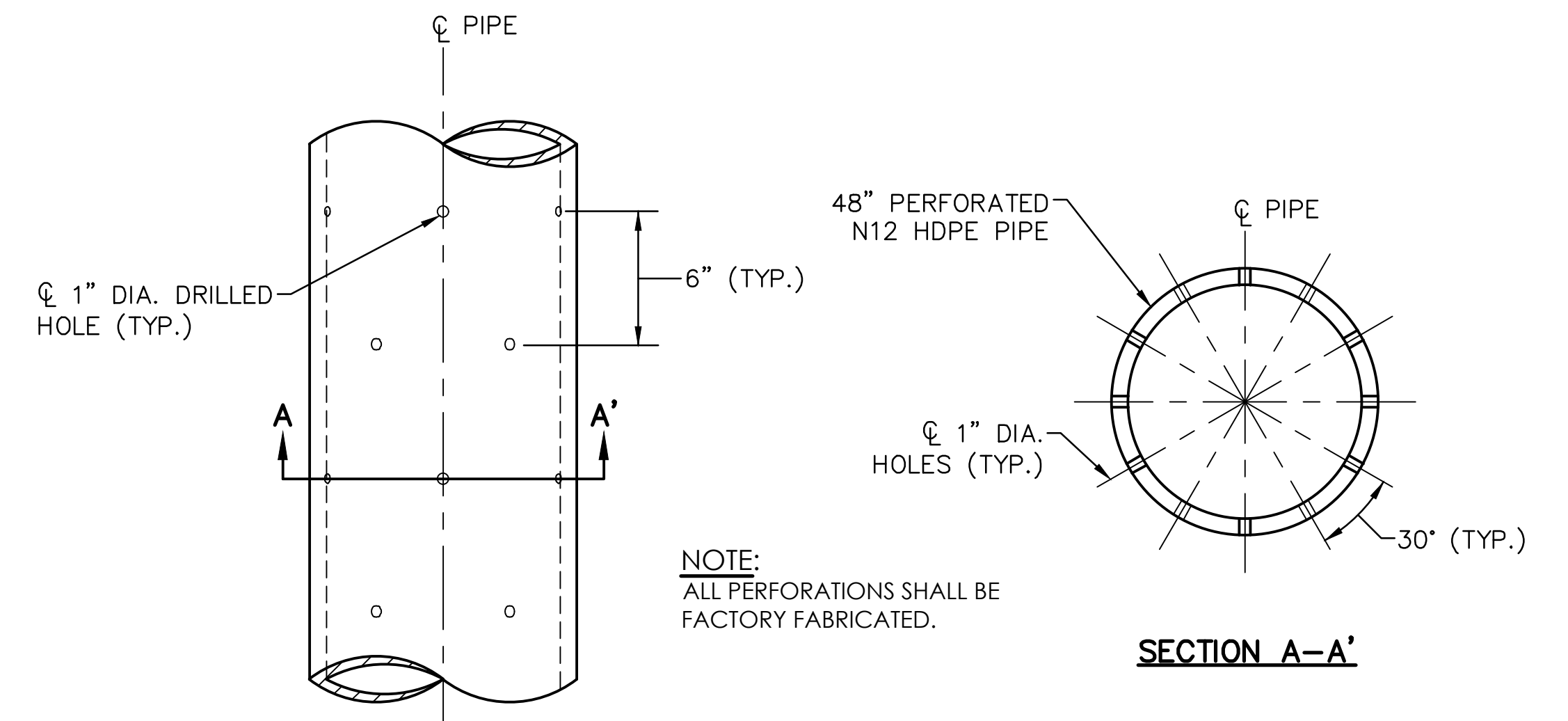
3/10 DETAIL - RUN-OFF DITCH
SCALE: 1/4"=1'-0" DTL-RUN-OFF-DITCH.DWG



4/10 DETAIL - SUMP
SCALE: 1/2"=1'-0" SUMP.DWG

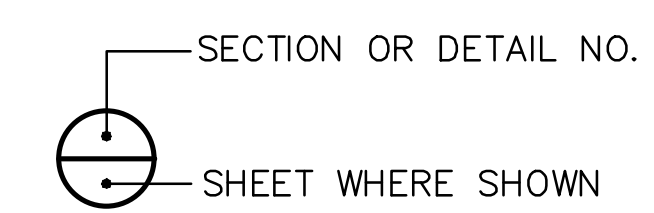


5/10 DETAIL - ACCESS ROAD (Co)
SCALE: 1/2"=1'-0" DTL-ACCESS-ROAD.DWG



NOTE:
ALL PERFORATIONS SHALL BE
FACTORY FABRICATED.

6/10 DETAIL - PIPE PERFORATION PATTERN
SCALE: 1/2"=1'-0" PERFOR.DWG

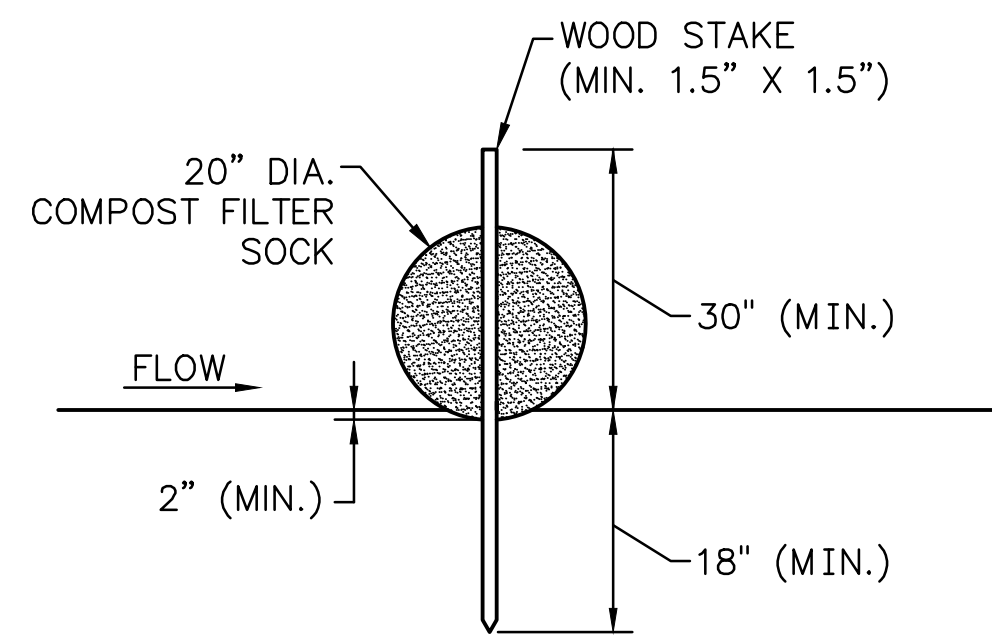
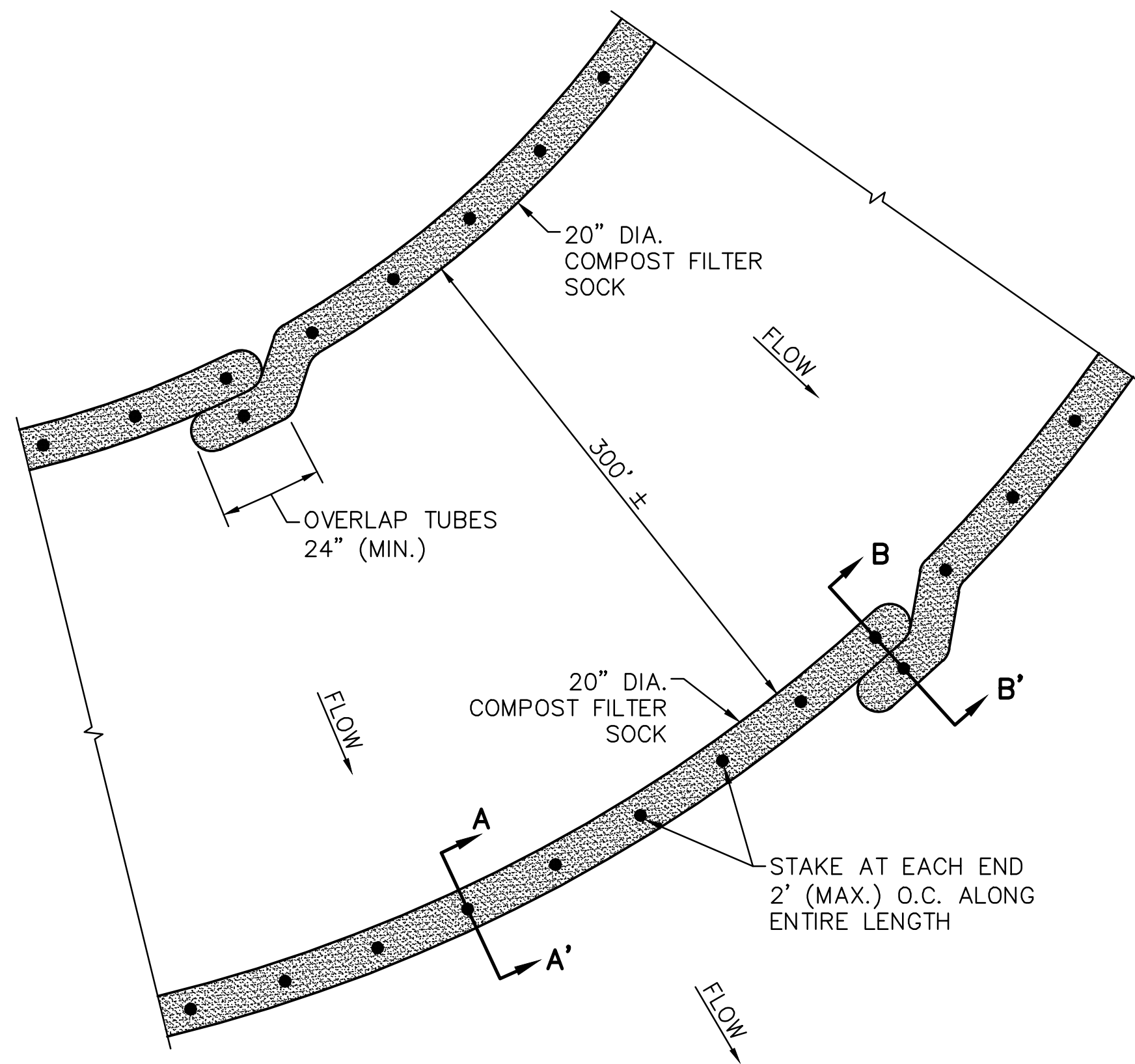


REFERENCE KEY

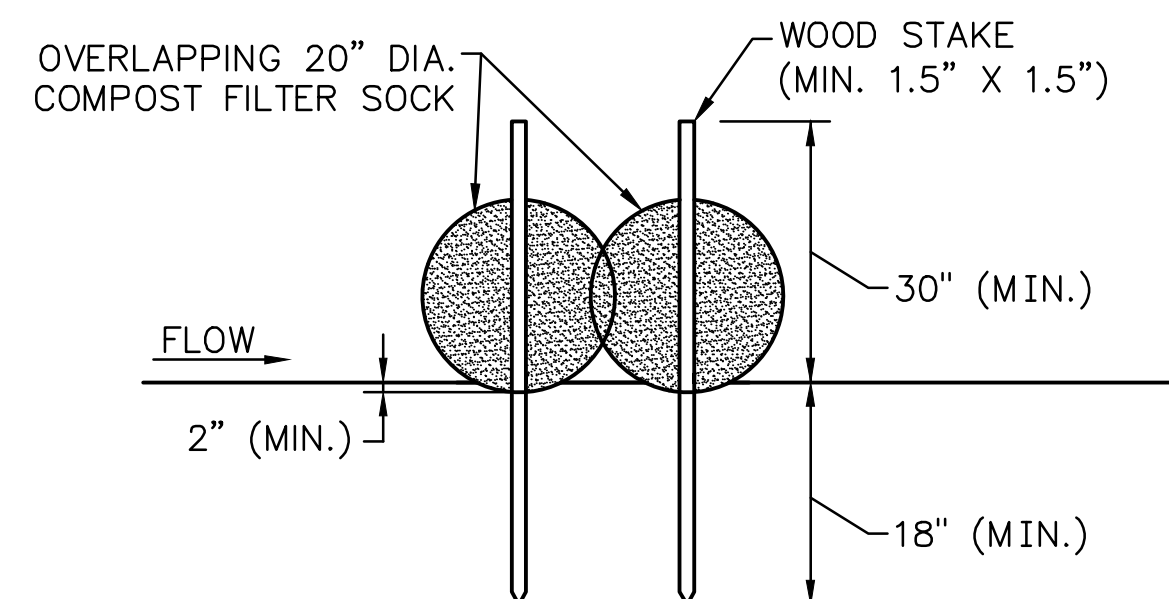
DETAILS			
CLOSURE DRAWINGS			
FOR PLANT HAMMOND - GEORGIA POWER			
ASH POND 4 (AP-4) - DEWATERED CCR SURFACE IMPOUNDMENT			
FLOYD COUNTY, GEORGIA			
1110 Market Street, Suite 214A Chattanooga, Tennessee 37402-2863 www.stantec.com			
PROJ. NO.	175618707	DWG.	18707-502-012
SCALE	AS SHOWN	EDIT	MM/DD/YY
DATE	NOVEMBER 2018	SHEET	10 OF 12



PLOT DATE: 11/04/2018 USER: CHAMBERS, SONIA \\UST243-F01\SHARED_PROJECTS\175618707\TECHNICAL_PRODUCTION_DRAWING_SHEET_FILES\ASH_POND_4\PERMIT\100%_SUB\18707-502-012.DWG



SECTION A-A'

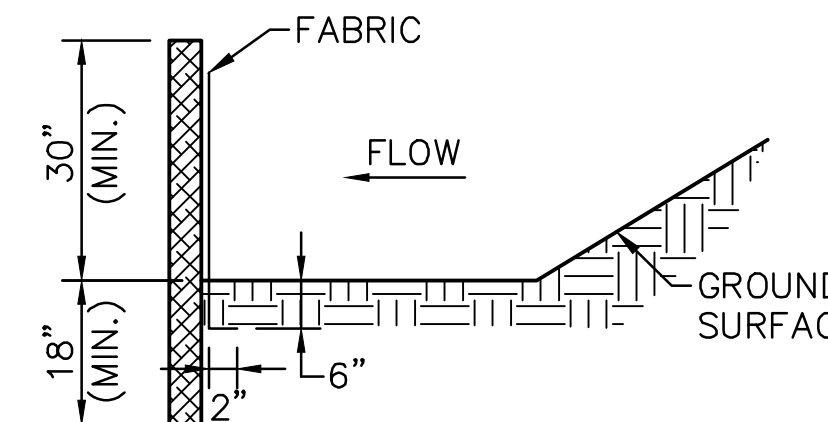


SECTION B-B'

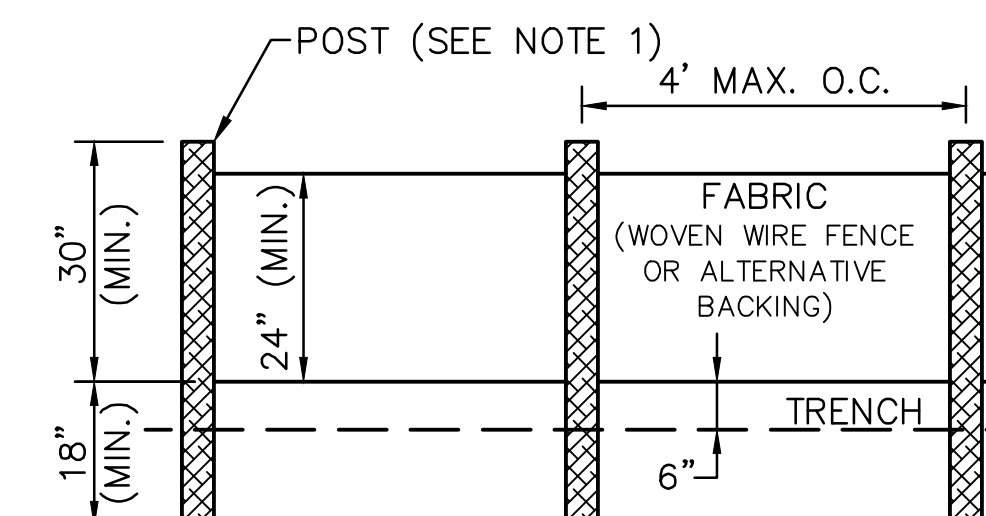
NOTES:

1. COMPOST FILTER SOCKS SHALL BE INSTALLED WITH WOODEN STAKES (MIN. 1.5" X 1.5" ACTUAL). THE STAKE SHALL BE EMBEDDED A MINIMUM OF 18 INCHES.
2. COMPOST FILTER SOCKS SHALL BE TRENCHED IN A MINIMUM OF 2 INCHES.
3. IF MORE THAN ONE COMPOST FILTER SOCK IS PLACED IN A ROW IN SLOPE APPLICATION, THE COMPOST FILTER SOCKS SHALL BE OVERLAPPED A MINIMUM OF 24 INCHES TO PREVENT FLOW AND SEDIMENT FROM PASSING THROUGH THE FIELD JOINT. WHEN USED IN DITCHES, TWO ROWS OF FILTER SOCKS SHALL BE PLACED ON THE CHANNEL BOTTOM WITH STAGGERED JOINTS AS SHOWN.
4. CONSTRUCTED IN ACCORDANCE WITH CHAPTER 6 BMP STANDARDS AND SPECIFICATIONS FOR GENERAL LAND-DISTURBING ACTIVITIES OF THE GEORGIA SOIL AND WATER CONSERVATION COMMISSION.

1 DETAIL - COMPOST FILTER SOCK (Cd-Fs) 11 NOT TO SCALE



SIDE VIEW

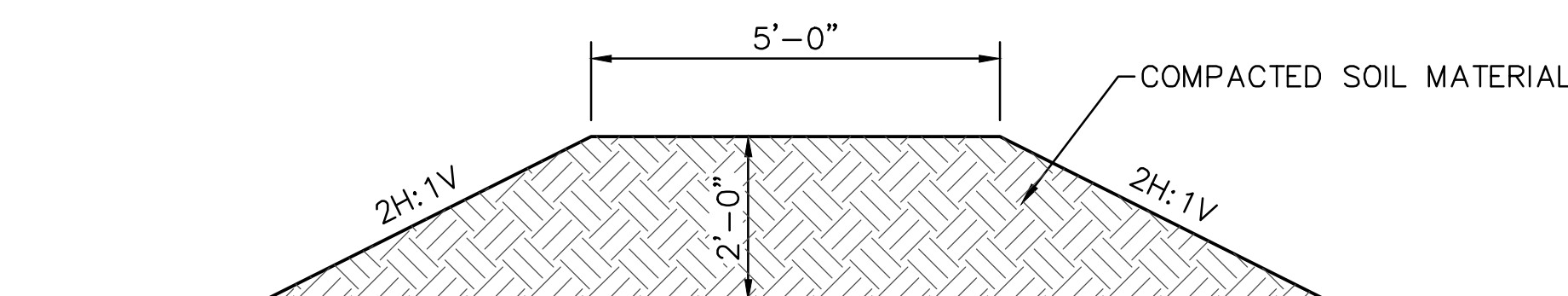


FRONT VIEW

NOTES:

1. USE STEEL OR WOOD POSTS OR AS SPECIFIED BY THE EROSION, SEDIMENTATION, AND POLLUTION CONTROL PLAN.
2. CONSTRUCTED IN ACCORDANCE WITH CHAPTER 6 BMP STANDARDS AND SPECIFICATIONS FOR GENERAL LAND DISTURBING ACTIVITIES OF GEORGIA SOIL AND WATER CONSERVATION COMMISSION.

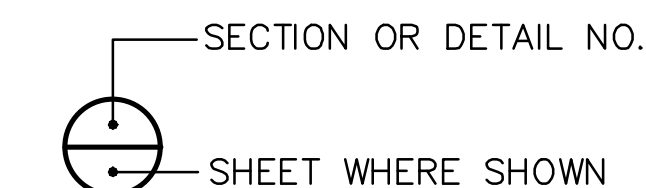
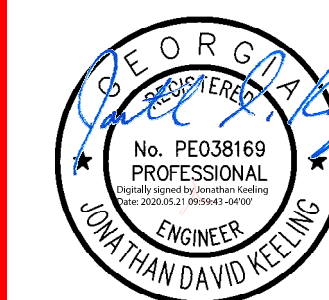
2 DETAIL - SILT FENCE - TYPE C (Sd1-S) 11 NOT TO SCALE



NOTES:

1. COVER SOIL FROM THE EXISTING SOIL CAP MAY BE USED TO CONSTRUCT THE DIVERSION BERM.
2. DIVERSION BERMS SHALL BE IMPLEMENTED AS NECESSARY TO MANAGE STORMWATER FLOW THROUGHOUT CLOSURE CONSTRUCTION.

3 DETAIL - DIVERSION BERM (DIL-DIV-BERM.DWG) 11 NOT TO SCALE



REFERENCE KEY

DETAILS			
CLOSURE DRAWINGS			
FOR			
PLANT HAMMOND - GEORGIA POWER			
ASH POND 4 (AP-4) - DEWATERED CCR SURFACE IMPOUNDMENT			
FLOYD COUNTY, GEORGIA			
1110 Market Street, Suite 214A Chattanooga, Tennessee 37402-2863 www.stantec.com			
PROJ. NO.	175618707	DWG.	11_18707-503-DT3
SCALE	AS SHOWN	EDIT	04/03/20
DATE	APRIL 2020	SHEET 11 OF 12	



PLOT DATE: 04/03/2020 USER: SHELTON, BEN \\\US0243-PPF501\SHARED_PROJECTS\75618707\TECHNICAL_PRODUCTION\DRAWING\SHEET_FILES\ASH_POND_4\PERMIT\00%_SUB\11_18707-503-DT3.DWG



MONITORING WELL LOCATION TABLE			
INSTRUMENT	NORTHING	EASTING	ELEVATION (FEET)
HGWA-111	1,548,834.26	1,935,222.81	591.75
HGWA-112	1,548,885.63	1,935,647.00	596.27
HGWA-113	1,548,944.62	1,935,990.09	594.58
HGWC-101	1,547,725.50	1,936,369.58	578.85
HGWC-102	1,547,713.50	1,936,033.33	577.54
HGWC-103	1,547,848.88	1,935,732.96	580.79
HGWC-105	1,547,855.56	1,935,110.36	582.09
HGWC-107	1,547,909.99	1,934,442.24	579.31
HGWC-109	1,548,627.41	1,934,362.77	576.77
HGWC-117	1,548,100.77	1,937,180.43	581.98
HGWC-118	1,547,980.56	1,936,946.37	579.02

NOTE:
GROUNDWATER MONITORING WELL LOCATIONS SHOWN ARE TAKEN FROM GROUNDWATER MONITORING PLAN AS SHOWN IN PART "A" OF THE PERMIT APPLICATION.



TABLE OF PROJECT BASELINE COORDINATES								
NUMBER	BEGIN STATION	NORTHING	EASTING	LENGTH	BEARING	END STATION	NORTHING	EASTING
L1	10+00.00	1,548,399.91	1,934,257.13	3100.00'	N90°00'00"E	41+00.00	1,548,399.91	1,937,357.13

MAPPING NOTE:
TOPOGRAPHIC AND PLANIMETRIC SURVEY INFORMATION FOR THE PLANS WAS OBTAINED FROM DRAWING P317-3, REV 3 BY METRO ENGINEERING & SURVEYING CO., INC. DATED FEBRUARY 26, 2013. ALL COORDINATES ARE BASED ON NORTH AMERICAN DATUM 83 (NAD 83), GEORGIA STATE PLANE, WEST ZONE. ALL ELEVATIONS ARE BASED ON THE NORTH AMERICAN VERTICAL DATUM 88 (NAVD 88).

- LEGEND**
- 500- EXISTING INDEX CONTOUR
 - - - EXISTING INTERMEDIATE CONTOUR
 - - - - - EDGE OF WATER
 - - - - - FLOOD HAZARD LIMITS
 - - - - - APPROXIMATE LAND LOT LINE
 - - - - - GRAVEL ROAD
 - - - - - TREE LINE
 - x - FENCE
 - OHE - OVERHEAD ELECTRIC POWER POLE
 - - - - - PERMIT BOUNDARY
 - - - - - PROPERTY BOUNDARY
 - - - - - STREAM BUFFER
 - - - - - GUARDRAIL
 - - - - - LIMITS OF CCR MONITORING WELL

50 0 100 200 FEET
GRAPHIC SCALE: 1"=100'
CONTOUR INTERVAL = 2'

COMPLIANCE MONITORING NETWORK
CLOSURE DRAWINGS
FOR
PLANT HAMMOND - GEORGIA POWER
ASH POND 4 (AP-4) - DEWATERED CCR SURFACE IMPOUNDMENT
FLOYD COUNTY, GEORGIA

1110 Market Street, Suite 214A
Chattanooga, Tennessee 37402-2863
www.stantec.com

Stantec

PROJ. NO. 175618707 DWG. 12_18707-105-CMN EDIT 04/03/20
SCALE 1"=100' SHEET 12 OF 12
DATE APRIL 2020

PLOT DATE: 09/02/2020 USER: SAMS, BRIAN
U:\175618707\TECHNICAL_PRODUCTION_DRAWING\SHEET_FILES\ASH_POND_4\PERMIT\105_C\SUB 12_18707-105-C\MN.DWG

NORTH ARROW & PLAT BEARINGS
BASED ON - GEORGIA STATE PLANS
MADCS(2011) WEST

Plant Hammond Ash Pond 4 Call Table

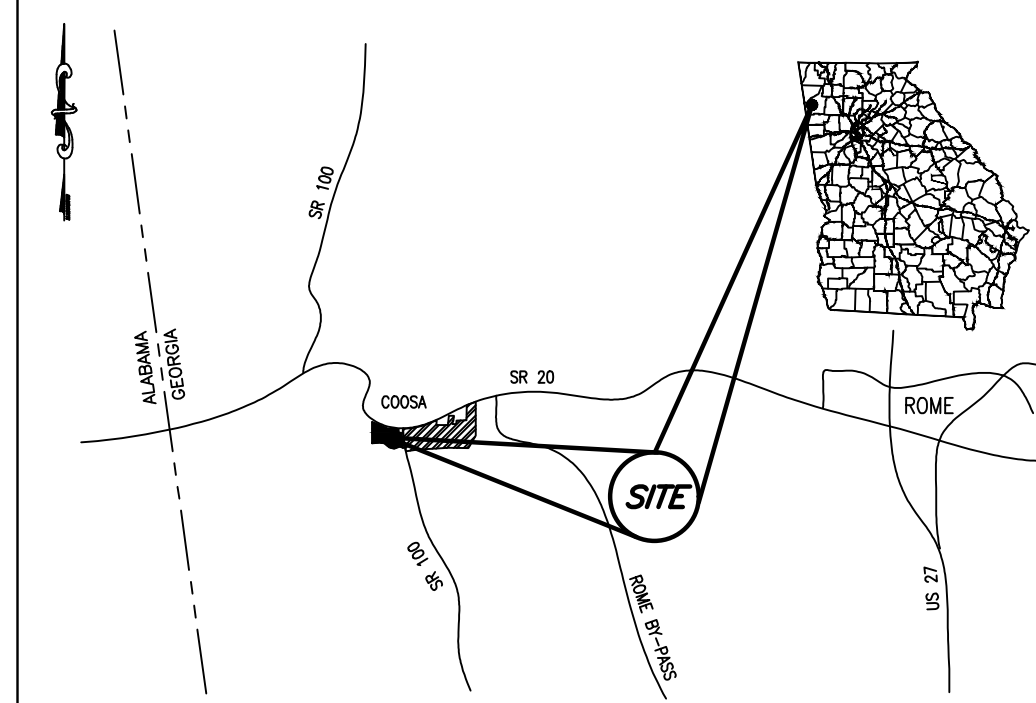
Course	Bearing	Distance	Arc	Radius
1	S 00°28'59" W	255.78'		
2	S 76°52'45" E	188.57'		
3	N 70°08'13" E	183.42'		
4	S 03°53'13" E	152.12'	152.17'	1700.00'
5	S 09°04'15" E	203.20'		
6	S 01°40'06" W	193.52'		
7	S 13°29'19" W	220.55'		
8	S 01°37'38" W	197.15'		
9	N 75°45'23" W	281.64'		
10	S 76°53'07" W	355.91'		
11	S 50°13'05" W	270.41'		
12	S 88°16'15" W	362.90'		
13	N 65°58'37" W	334.68'		
14	N 81°25'50" W	323.97'		
15	S 81°23'08" W	286.38'		
16	S 88°04'03" W	319.17'		
17	N 79°42'41" W	491.05'		
18	N 00°03'57" E	1171.94'		
19	S 75°59'36" E	326.95'	327.12'	2919.97'
20	S 79°12'02" E	43.90'		

Plant Hammond Ash Pond 4 Call Table

Course	Bearing	Distance	Arc	Radius
21	S 12°49'20" W	27.34'		
22	S 77°10'40" E	180.45'		
23	S 12°49'20" W	16.40'		
24	S 77°23'02" E	84.33'		
25	N 11°45'36" E	16.40'		
26	S 83°23'48" E	314.34'	314.76'	1748.68'
27	N 01°26'48" E	9.84'		
28	S 89°41'57" E	69.55'	69.55'	1738.84'
29	S 00°50'42" E	9.84'		
30	N 86°17'24" E	174.80'	174.87'	1748.68'
31	N 06°34'29" W	9.84'		
32	N 81°19'49" E	127.13'	127.16'	1738.84'
33	N 79°14'08" E	404.97'		
34	S 10°45'52" E	13.12'		
35	N 79°14'08" E	277.00'		
36	N 86°25'48" E	382.93'	383.94'	1528.87'
37	S 86°22'36" E	98.45'		
38	N 03°37'24" E	42.65'		
39	S 86°23'52" E	117.75'		

UTILITY LEGEND

- Electric Manhole
- Electric Meter
- Gas Manhole
- Gas Valve
- Gas Meter
- Sanitary Sewer Manhole
- Sanitary Sewer Cleanout
- Storm Sewer Manhole
- Telephone Manhole
- Water Manhole
- Water Valve
- Water Meter
- Fire Hydrant
- Well
- Power Pole
- Transmission Tower
- Guy Wire



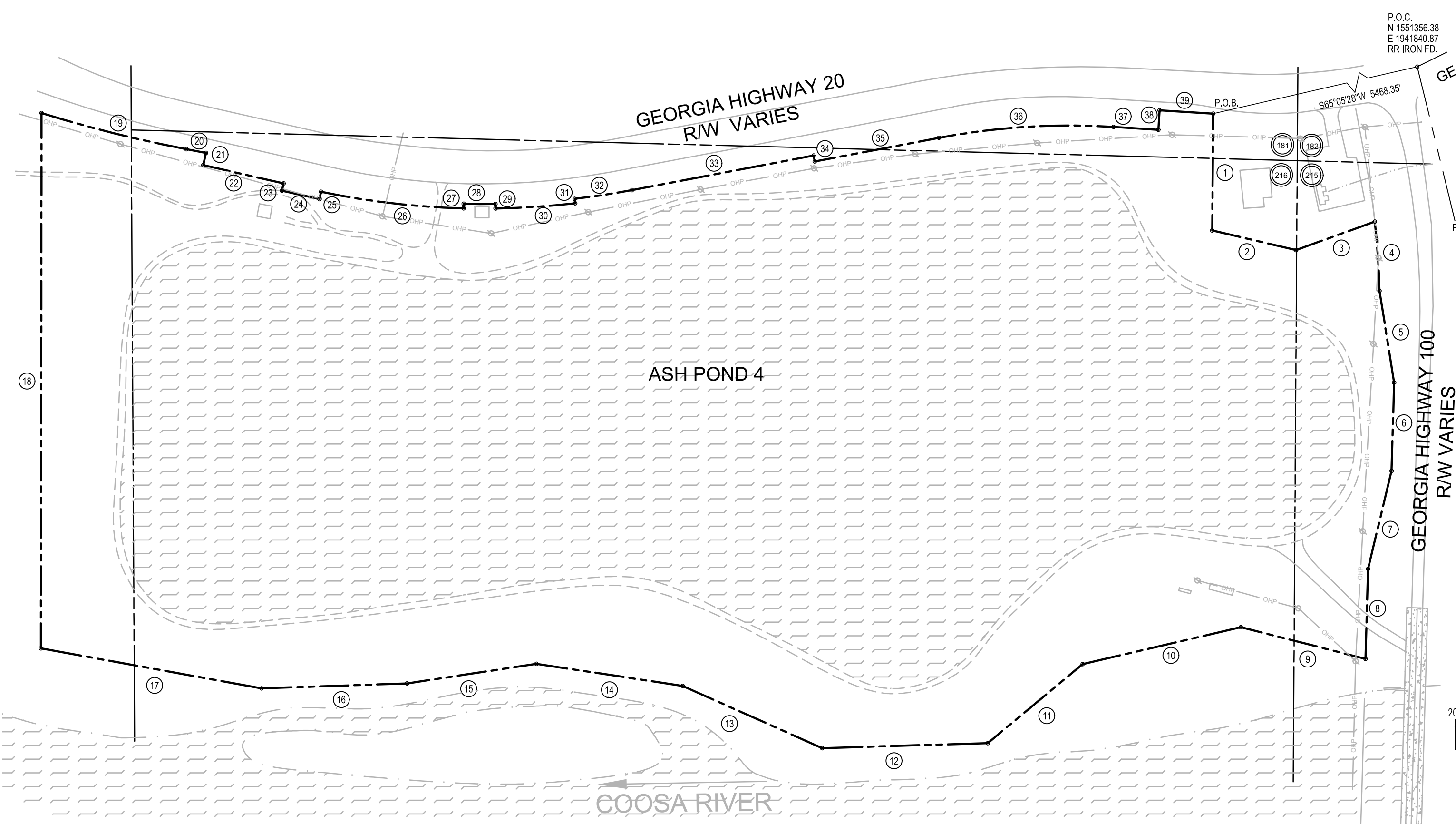
LOCATION MAP - NOT TO SCALE

PLAT ABBREVIATIONS

- IPF - Iron Pin Found
- IPS - Iron Pin Set
- FPS - Fence Post Set
- OTP - Open Top Pipe
- CTP - Crimp Top Pipe
- Conc. - Concrete
- Alumn. - Aluminum
- P/L - Property Line
- R/W - Right of Way
- C/L - Centerline
- F/L - Fenceline
- T/L - Transmission Line
- N/F - Now or Formerly
- DB - Deed Book
- PB - Plat Book
- MF - Map File No.
- N.T.S. - Not to Scale
- P.O.C. - Point of Commencement
- P.O.B. - Point of Beginning
- BH - Geotechnical Bore Hole
- UGP - Underground Power
- OHU - OverHead Utilities
- GPC - Georgia Power Company

REFERENCES:

1. PLAT FOR GEORGIA POWER CO. BY LOWE ENGINEERS, LLC, GPC MF# P456-6, DATED FEBRUARY 2, 2018.
2. PERMIT BOUNDARY DEVELOPED BY STANTEC FOR GEORGIA POWER COMPANY, JULY 2018



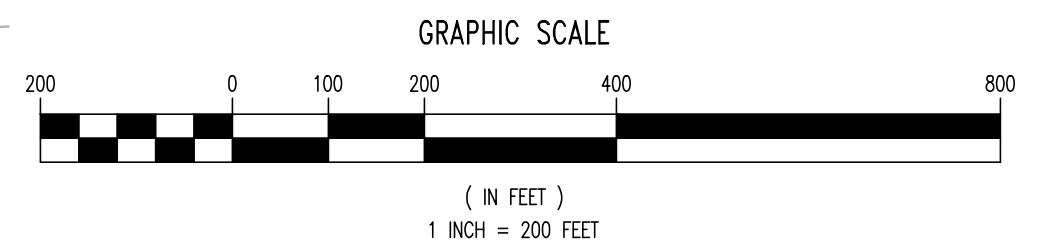
P.O.C.
N 155°356.38
E 194°1840.87
RR IRON FD.

GEORGIA HIGHWAY 20
R/W VARIES

GEORGIA HIGHWAY 100
R/W VARIES

MONUMENTATION LEGEND

- Iron Pin Set
- Iron Pin Found
- Monument Set
- Monument Found
- Computed Point
- Control or Traverse Point
- Geodetic Control Point
- Benchmark or Temporary Benchmark (TBM)



SURVEY CLOSURE STATEMENT

The Field Data upon which this plat is based has a closure precision of one foot in 58,769 feet, and an angular error of <1" per angle point, and was adjusted using Least Squares method.

This plat has been calculated for closure and is found to be accurate within one foot in 520,157 feet.

Linear Measurement obtained using Leica TS-15 &
Angular Measurement obtained using Trimble SPS730
Field Work completed 11/29/2017

ASH POND 4
75.45 AC. 3,286,491 SQ.FT.

NOTE: BACKGROUND IMPROVEMENTS PER PERMIT DRAWING BY STANTEC, DATED APRIL 20, 2018

F.I.R.M. FLOOD NOTE:
THIS PROPERTY IS LOCATED IN A 100 YR. F.I.R.M. FLOODPLAIN, (BY GRAPHIC PLOTTING ONLY) ACCORDING TO F.I.R.M. FLOOD MAP OF FLOYD COUNTY, GA. COMMUNITY-PANEL NO. 13115C0163 E, 13115C0164 E & 13115C0251 E, DATED SEPTEMBER 25, 2009.



SURVEYOR: WILLIAM J. DANIEL III
P.L.S. #2257
LOWE ENGINEERS LLC
990 HAMMOND DRIVE SUITE 900
ATLANTA, GA. 30328
PHONE (770) 857-8400



I hereby certify that this survey has been prepared in conformity with the Technical Standards for Property Surveys in Georgia as set forth in Chapter 180-7 on the Rules of the Georgia Board of Registration for Professional Engineers and Land Surveyors and as set forth in the Georgia Plat Act O.C.G.A. 15-6-67.

And further certify that according to Georgia Code Section 15-6-67(d), this plat is not required to be reviewed by any local governing authorities prior to recording. Per said section, "No approval shall be required if no new streets or roads are created or no new utility improvements are required or no new sanitary sewer or approval of a septic tank is required." No such improvements are required hereon.

Date: October 4, 2018

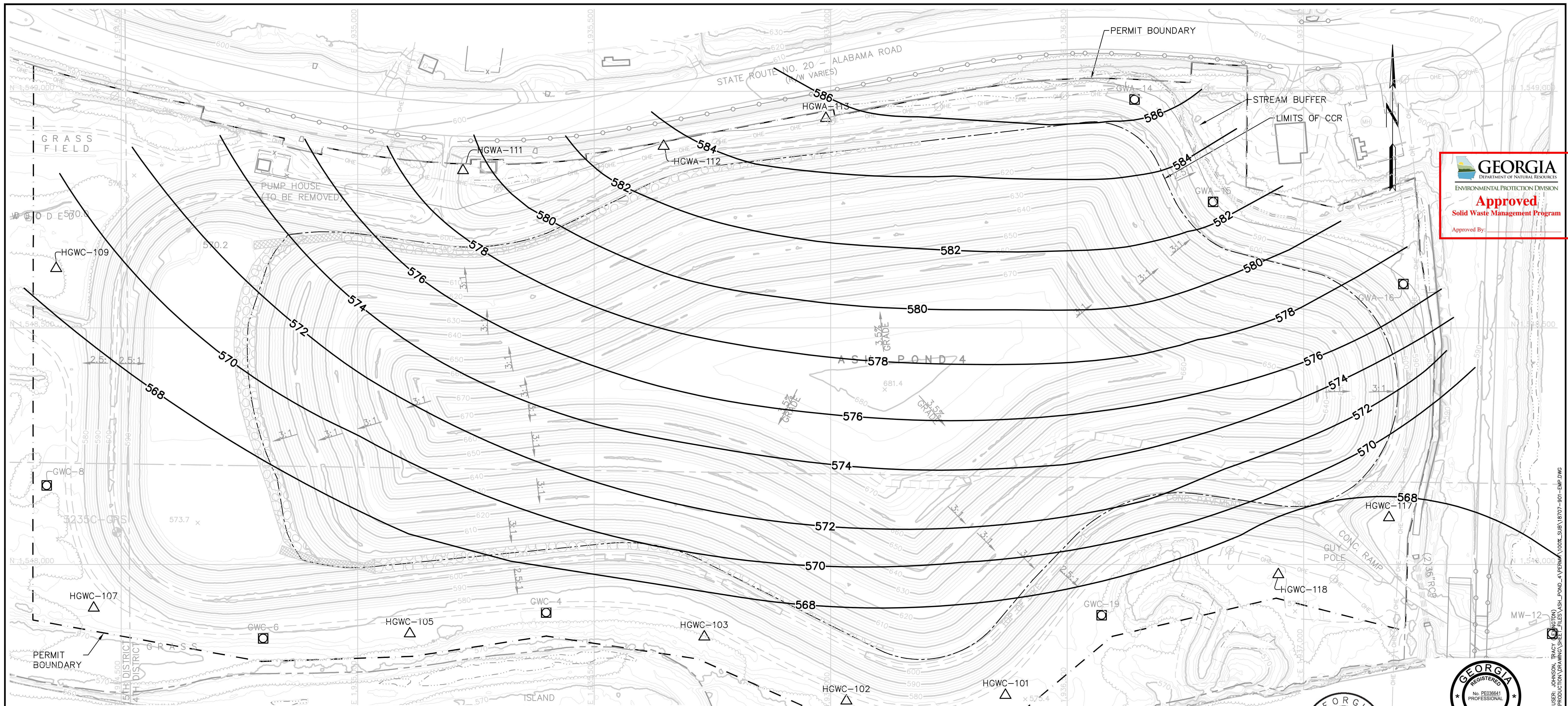
PATH - T:\Working2\Ash\Hammond\2018070089_CCR Permit Boundary Surveys - AP 1-4

GEORGIA POWER CO., ATLANTA, GA.
Land Department

Plant Hammond
Ash Pond 4
Permitted Site Boundary

LAND LOT 181, 182, 215 & 216, 4TH DISTRICT, 4TH SECTION, FLOYD COUNTY, GEORGIA

APPROVALS	DR.	TR.	Checked
	DE	TR	WJD/III
SCALE		DATE	
1" = 200'		10.04.2018	
DRAWING NUMBER			
P467 (4)			



MAPPING NOTE:
 TOPOGRAPHIC AND PLANIMETRIC SURVEY INFORMATION FOR THE PLANS WAS OBTAINED FROM DRAWING P317-3, REV 3 BY METRO ENGINEERING & SURVEYING CO., INC. DATED FEBRUARY 26, 2013. ALL COORDINATES ARE BASED ON NORTH AMERICAN DATUM 83 (NAD 83), GEORGIA STATE PLANE, WEST ZONE. ALL ELEVATIONS ARE BASED ON THE NORTH AMERICAN VERTICAL DATUM 88 (NAVD 88).

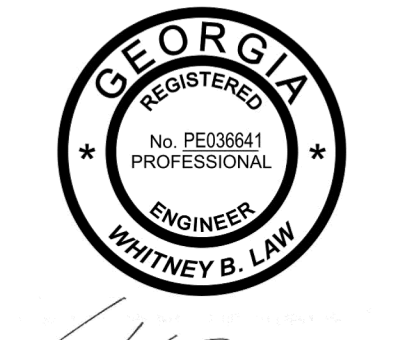
- NOTES:**
- EXISTING DOWN DRAIN PIPES, PERIMETER DITCH LINING, AND FLUMES SHALL BE DEMOLISHED DURING CLOSURE-BY-REMOVAL CONSTRUCTION. OTHER FEATURES TO BE CLOSED OR REMOVED AS NOTED.
 - GPC IS REMOVING THE CCR MATERIAL FROM THIS UNIT. FUTURE STAGING AND LOADING AREAS WILL BE CONSTRUCTED AS PART OF THE REMOVAL PROCESS.
 - THE BASEMAP AND SITE FEATURES DEPICTED ON THIS DRAWING WERE PREPARED BY STANTEC CONSULTING SERVICES, INC. THE POTENTIOMETRIC SURFACE DEPICTED ON THIS DRAWING WAS DEVELOPED BY GEOSYNTEC CONSULTANTS, INC. THIS DRAWING HAS BEEN SEALED BY THE RESPECTIVE ENGINEER-OF-RECORD FOR EACH CONSULTANT.

MONITORING WELL LOCATION TABLE			
WELL ID	NORTHING	EASTING	GROUNDWATER ELEVATION (JUNE 2018, FEET)
HGWA-111	1,548,834.26	1,935,222.81	579.30
HGWA-112	1,548,885.63	1,935,647.00	583.67
HGWA-113	1,548,944.62	1,935,990.09	585.62
HGWC-101	1,547,725.50	1,936,369.58	566.91
HGWC-102	1,547,713.50	1,936,033.33	567.17
HGWC-103	1,547,848.88	1,935,732.96	567.46
HGWC-105	1,547,855.56	1,935,110.36	566.92
HGWC-107	1,547,909.99	1,934,442.24	566.42
HGWC-109	1,548,627.41	1,934,362.77	568.22
HGWC-117	1,548,100.77	1,937,180.43	567.86
HGWC-118	1,547,980.56	1,936,946.37	567.68

PIEZOMETER LOCATION TABLE			
WELL ID	NORTHING	EASTING	GROUNDWATER ELEVATION (JUNE 2018, FEET)
GWA-14	1,548,982.59	1,936,642.58	586.39
GWA-15	1,548,766.17	1,936,808.47	582.45
GWA-16	1,548,592.74	1,937,210.99	577.08
GWC-4	1,547,898.30	1,935,398.70	567.43
GWC-6	1,547,843.93	1,934,800.45	566.51
GWC-8	1,548,167.13	1,934,342.94	566.39
GWC-19	1,547,892.89	1,936,572.97	567.67
MW-12	1,547,853.78	1,937,525.46	567.52

- LEGEND**
- 500- EXISTING INDEX CONTOUR
 - 600- EXISTING INTERMEDIATE CONTOUR
 - 650- EDGE OF WATER
 - 700- FLOOD HAZARD LIMITS
 - 750- APPROXIMATE LAND LOT LINE
 - 800- GRAVEL ROAD
 - 850- TREE LINE
 - 900- FENCE
 - 950- OVERHEAD ELECTRIC POWER POLE
 - 1000- PERMIT BOUNDARY
 - 1050- PROPERTY BOUNDARY
 - 1100- GUARDRAIL
 - 1150- LIMITS OF CCR
 - 1200- PIEZOMETER
 - 1250- MONITORING WELL
 - 1300- POTENTIOMETRIC SURFACE (JUNE 2018)

GRAPHIC SCALE: 1"=100'
 CONTOUR INTERVAL = 2'



5/19/2020

ENVIRONMENTAL MONITORING PLAN

CLOSURE DRAWINGS
 FOR
 PLANT HAMMOND - GEORGIA POWER
 ASH POND 4 (AP-4) - DEWATERED CCR SURFACE IMPOUNDMENT
 FLOYD COUNTY, GEORGIA

1110 Market Street, Suite 214A
 Chattanooga, Tennessee 37402-2863
 www.stantec.com

Stantec

PROJ. NO.	175618707	DWG.	18707-801-EMP	EDIT	05/15/20
SCALE	1"=100'				
DATE	MAY 2020	SHEET 1 OF 1			

PLOT DATE: 05/15/2020 USER: JOHNSON, TRACY (LINGTON) US: 175618707\TECHNICAL_DRAWING\ASHPOND_4\PERMITSUB_18707-801-EMP.DWG