

**HISTORY OF CONSTRUCTION**  
**40 C.F.R PART 257.73(c)(1)(i)-(xii)**  
**PLANT SCHERER ASH POND (AP-1)**

***(i) Site Name and Ownership Information:***

Site Name: Robert W. Scherer Power Plant

Site Location: Juliette, Georgia  
Site Address: 10986 Highway 87  
Juliette, Georgia 31046

Owner/Operator: Georgia Power Company  
Owner Address: 241 Ralph McGill Boulevard  
Atlanta, Georgia 30308

CCR Impoundment Name: Plant Scherer Power Ash Pond (AP-1)  
NID ID: N/A

EPA's "Disposal of Coal Combustion Residuals from Electric Utilities" Final Rule (40 C.F.R. Part 257 and Part 261), §257.73(c)(1), requires the owner or operator of an existing CCR surface impoundment to compile a history of construction. To the extent feasible, the following information is provided:

***(ii) Location of CCR Unit:***

33°04'25"N, 83°48'44"W  
See Location Map in the Appendix

***(iii) Purpose of CCR Unit:***

The Robert W. Scherer Power Plant is a four unit, coal fired, power generation facility. AP-1 receives and stores coal combustion residuals and low volume waste streams produced during the electric generating process at Plant Scherer.

***(iv) Watershed Description:***

The Plant Scherer AP-1 is located within the Berry Creek Watershed (HUC 12 – 030701031307). The Berry Creek watershed encompasses 21,145 acres and is part of the larger Upper Ocmulgee Watershed (HUC 12 - 03070103). The pond itself has a 776 acre drainage basin.

***(v) Description of physical and engineering properties of CCR unit foundation/abutments:***

AP-1 is located in the Piedmont Physiographic Province of Georgia. The Piedmont is underlain by igneous and metamorphic rocks. The residual soils in the Piedmont are a result of weathering of the underlying bedrock. The foundation and abutments are supported by residual soils consisting of stiff to very hard sandy silts and loose to very dense silty sands with varying clay and mica contents. The

residual soils' consistency generally increases with depth. Between the residual soils and the underlying bedrock a transitional layer of partially weathered rock is present. The bedrock at AP-1 consists of Biotite and Hornblende gneiss with amphibolite.

The dikes at AP-1 were constructed on residual soils. Engineering design parameters were obtained from soil samples collected and tested during pre-construction geotechnical investigations, pre-construction borrow studies, and subsequent explorations.

***(vi) Summary of Site Preparation and Construction Activities:***

The AP-1 Dam is approximately 8,000 feet Long. The Dam saddles with the original preconstruction topography of the northern, eastern, and southern sides of AP-1.

The AP-1 Dam is a zoned, soil embankment dam with a 30-ft wide crest, 3H:1V upstream and downstream slopes with a 30-ft wide, upstream and downstream bench. The dam was initially constructed by removal of any alluvial soils within the dam footprint and excavating a keyway along the dam centerline into the existing foundations soils equal in width to either 50 percent of the dam height or 20 feet (whichever was greater) as shown on drawing E1H1006. The dam embankment consisted of a mechanically compacted clay material core with 1H:1V slopes surrounded upstream and downstream by a soil shell constructed of more sandy materials. An internal drainage system consisting of a blanket drain and a chimney drain were incorporated into the downstream section of the dam. Grain size specifications for each soil material component of the Plant Scherer Ash Pond as well as the drain locations are shown on drawing E1H1002. Details of construction for drainage and diversion are shown on drawings E1H1029, E1H1033, and E1H1052.

The dikes at AP-1 were constructed of residual soils from within and adjacent to AP-1. Engineering design parameters were obtained from soil samples collected and tested during pre-construction geotechnical investigations, pre-construction borrow studies, and subsequent explorations.

The crest of the dam was constructed to elevation 505 ft and 505.6 ft, respectively, on the upstream and downstream edges. The 30-foot wide, upstream and downstream benches were constructed at elevation 457 ft. The maximum dam section is crossing a previous valley located along the eastern side of the Ash Pond near Station 46+00. The dam section at this point is approximately 100 feet in vertical height.

Clearing for AP-1 started in April of 1977 and was completed in November of 1977. Construction of the North Dike started in November of 1977 and was completed in September of 1980 and construction of the South and East Dikes started in April of 1978 and was completed in November of 1980. Initial filling of AP-1 started in November of 1980 and was completed in March of 1981.

***(vii) Engineering Diagram:***

The following drawings reflecting the construction of AP-1 can be found in the Appendix:

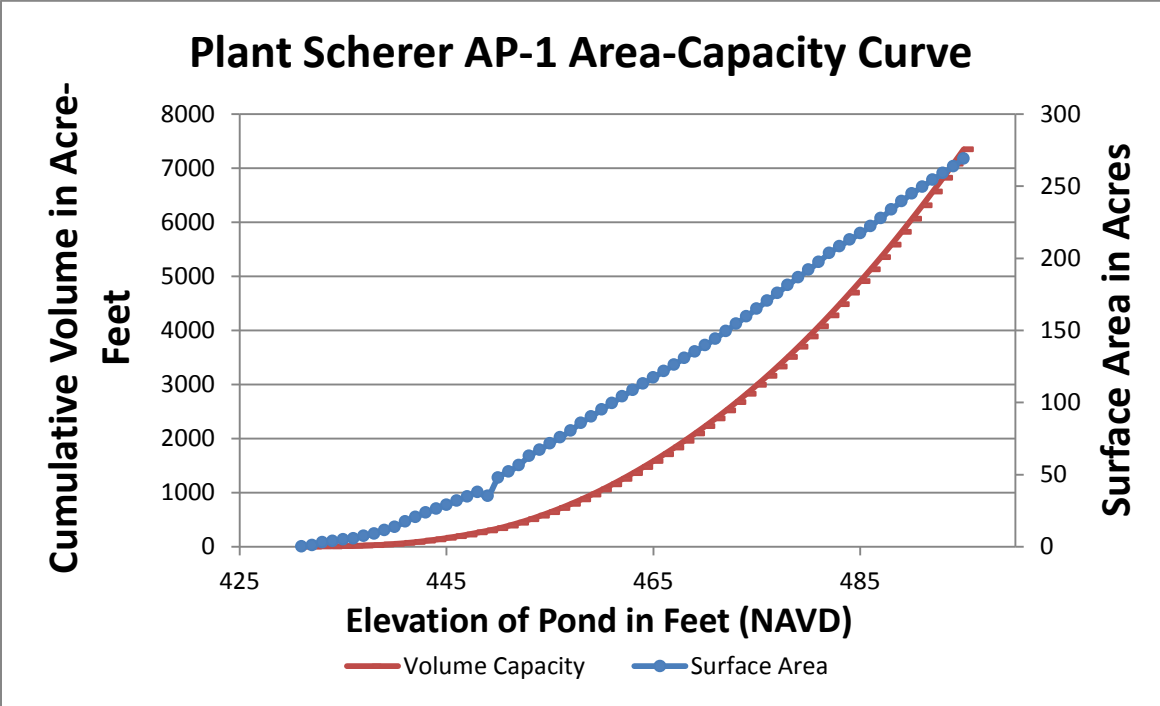
- Site Location Map
- M-154-6 – Survey Monument Locations
- E1H1001 – General Arrangement
- E1H1002 – General Sections and Details

- E1H1006 – Excavation Plan
- E1H1024 – Controlled Discharge General Layout and Sections
- E1H1029 – North Drainage Plan
- E1H1030 – Spillway Excavation Plan and Details
- E1H1031 – Spillway Arrangement and Grading – Plan and Details
- E1H1033 – South Drainage Plan
- E1H1036 – Spillway Excavation – Sections
- E1H1037 – Controlled Discharge Arrangement and Grading – Sections
- E1H1038 – Spillway Arrangement and Grading – Sections
- E1H1052 – Stream Diversion Sections and Details
- E1H1058R1 – Plan, Sections, and Details of Instrumentation
- E1H1058R2 – Leak Collection System Main Dam Plan
- E1H1059R2 – Plan, Sections, and Details of Instrumentation
- E1H1059R3 – Leak Collection System Plan and Details
- E1H1069 – As-Built Excavation
- E1H1070 – As-Built Sections
- E1C3444 – Spillway Details

**(viii) Description of Instrumentation:**

There are 22 piezometers and 8 deformation monuments located at AP-1. Piezometers are used to monitor water levels in and around the embankments, and deformation monuments are used to monitor horizontal and vertical movements. Plans indicating their location are attached.

**(ix) Area-capacity curves:**



**(x) Spillway/Diversion design features and capacity calculations:**

AP-1 spillway system consists of a primary discharge structure and an auxiliary spillway channel. The primary discharge structure is a 72-in diameter reinforced concrete riser pipe (morning glory) with a 72-in diameter outlet pipe. The morning glory has a top elevation of 494.5 ft. The outlet pipe drains into a concrete lined discharge channel with 6.5-ft bottom width and 2.5H:1V side slopes. The auxiliary spillway consists of a concrete trapezoidal weir with an 85-ft bottom width and 2.5H:1V side slopes that flow into a grass lined channel with an approximately 120-ft bottom width and 2.5H:1V side slopes. Both the primary and the auxiliary spillways discharge into the Settling (Recycle) Pond. Details of the outlet works are shown on drawings E1H1024, E1H1030, E1H1031, E1H1036, and E1H1037.

Based on the PMP flood routing, the peak outflow discharge is 1,812 cfs at a peak water surface elevation of 501.6 ft leaving a freeboard of 2.5 feet (measured to the top of embankment). Normal pool is 494.6 ft.

***(xi) Provisions for surveillance, maintenance and repair:***

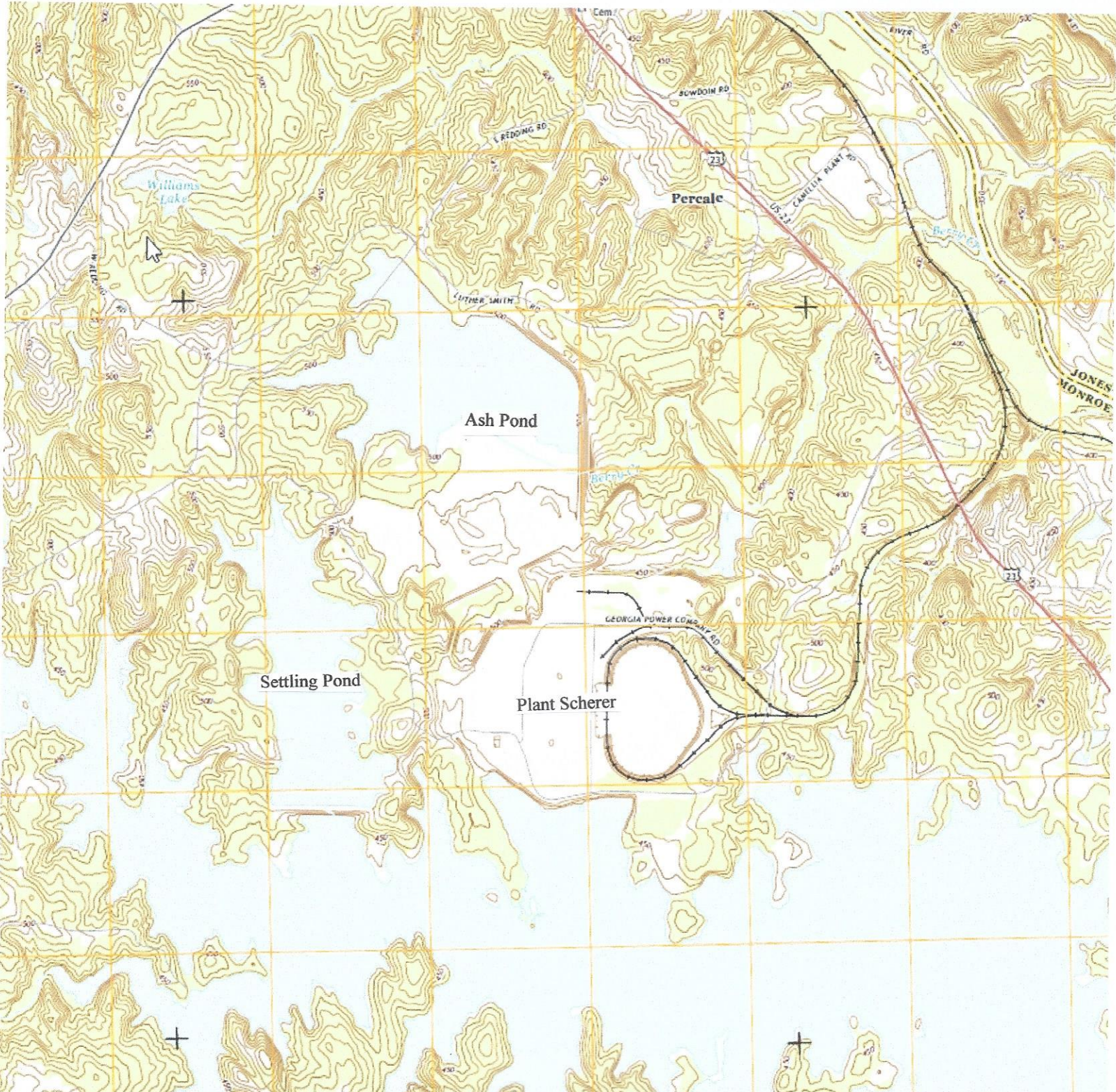
Inspections of dams and dikes are critical components and are conducted on a regular basis—at least annually by professional dam safety engineers and at least weekly by trained plant personnel. In addition, inspections are performed after unusual events such as storms. The inspections provide assurance that structures are sound and that action is taken, as needed, based on the findings. Safety inspections include numerous checklist items. Specific items vary from site to site but may include observations of such things as pond levels, weather conditions, rainfall since the prior inspection, instrument readings, conditions of slopes and drains, erosion, animal damage, ant hills, alignment of retaining structures and more. Dam safety engineers assess instrument readings, inspect any maintenance or remediation performed since the previous inspection, check the status of work recommended at prior inspections, ensure that the posting of emergency notification information is up to date and evaluate any items noted during plant personnel inspections.

***(xii) Known record of structural instability:***

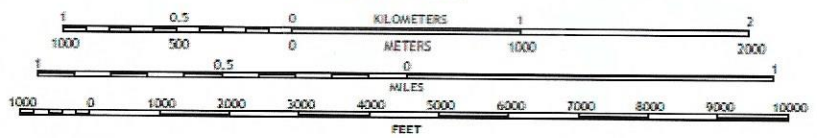
There are no known instances of structural instability at the CCR unit.

## Appendix

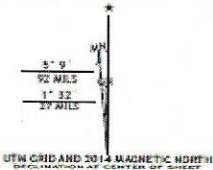
EAST JULIETTE QUADRANGLE  
 GEORGIA  
 7.5-MINUTE SERIES



SCALE 1:24 000



QUADRANGLE LOCATION



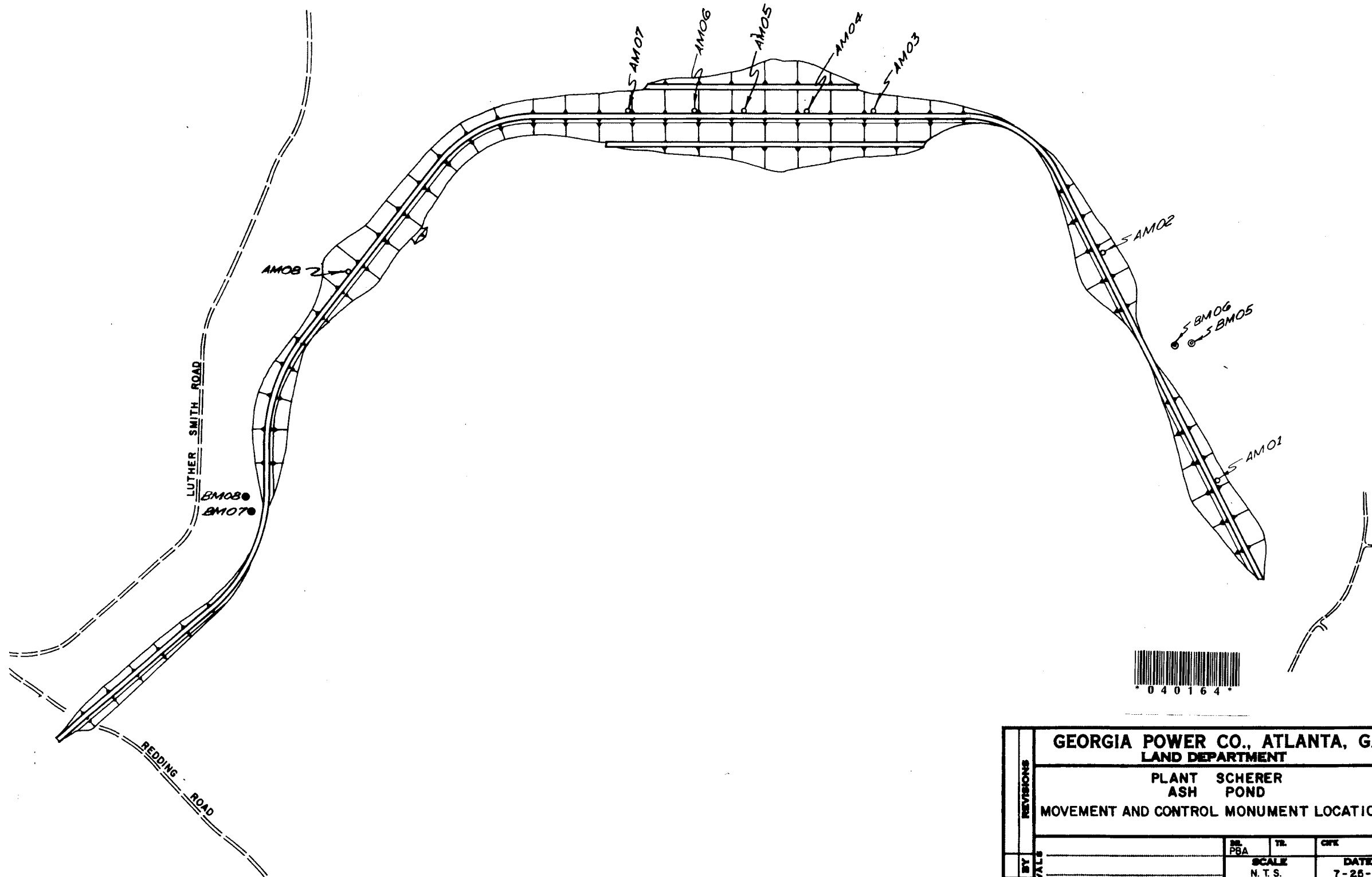
U.S. National Grid
100,000-m Square ID
KS
Grid Zone Designation
17S

CONTOUR INTERVAL 10 FEET  
 NORTH AMERICAN VERTICAL DATUM OF 1988

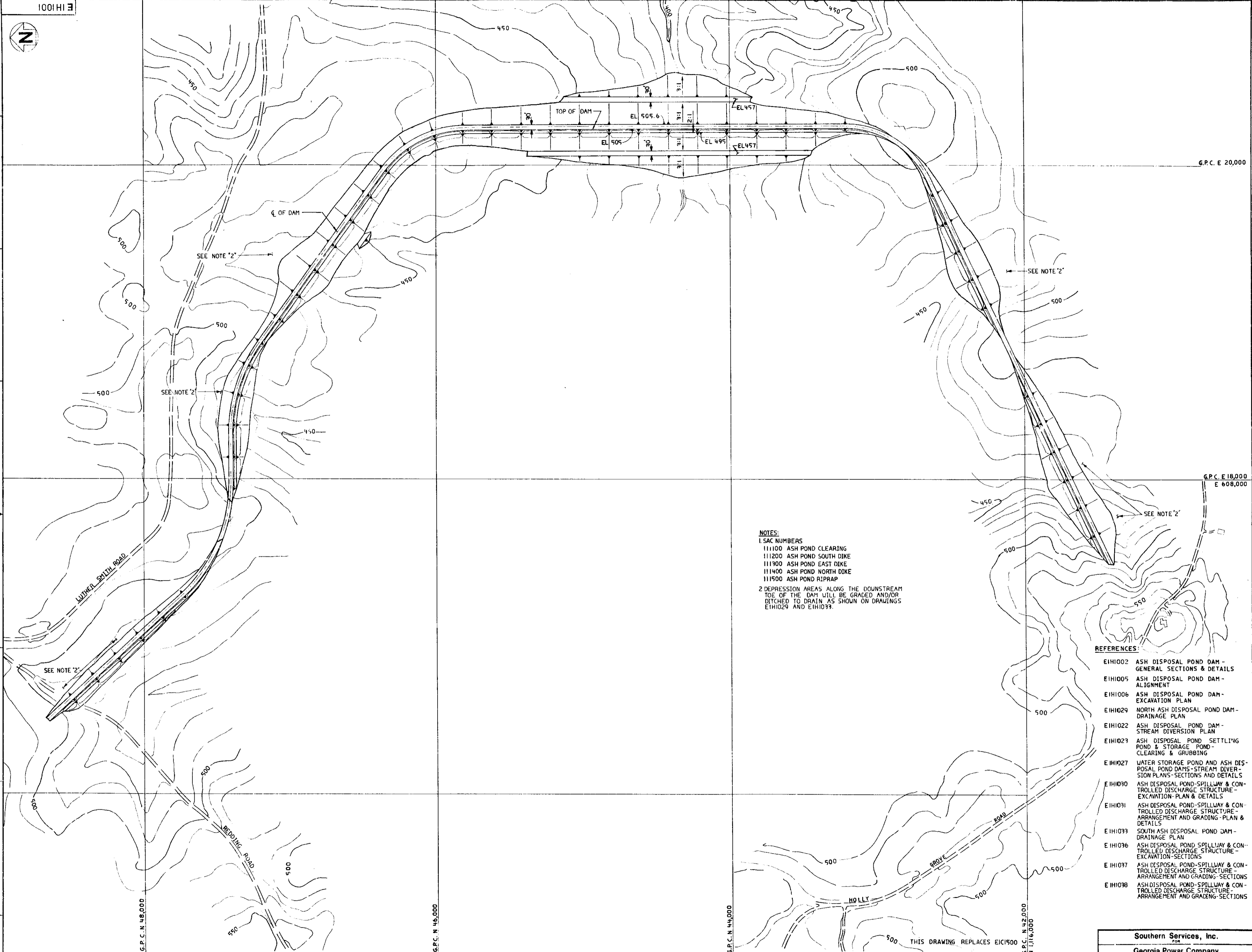
This map was produced to conform with the  
 National Geospatial Program US Topo Product Standard, 2011.  
 A metadata file associated with this product is draft version 0.6.16

1	2	3	1 Indian
			2 Barner
			3 Hillsbo
4		5	4 Forsyth
			5 Dames
			6 Smarr
6	7	8	7 Solingt
			8 Macon

ADJOINING QUADRANGLES



GEORGIA POWER CO., ATLANTA, GA.			
LAND DEPARTMENT			
PLANT SCHERER			
ASH POND			
MOVEMENT AND CONTROL MONUMENT LOCATIONS			
REVISIONS	BY	TR.	CITE
	PBA		
DATE BY	SCALE	DATE	
		N.T.S.	7-26-83
APPROVALS	DRAWING NUMBER		
	M-154-6		



**NOTES:**  
 1 SAC NUMBERS  
 111100 ASH POND CLEARING  
 111200 ASH POND SOUTH DIKE  
 111300 ASH POND EAST DIKE  
 111400 ASH POND NORTH DIKE  
 111500 ASH POND RIPRAP  
 2 DEPRESSION AREAS ALONG THE DOWNSIDE TOE OF THE DAM WILL BE GRADED AND/OR DITCHED TO DRAIN AS SHOWN ON DRAWINGS EIH1029 AND EIH1039.

- REFERENCES:**
- EIH1002 ASH DISPOSAL POND DAM - GENERAL SECTIONS & DETAILS
  - EIH1005 ASH DISPOSAL POND DAM - ALIGNMENT
  - EIH1006 ASH DISPOSAL POND DAM - EXCAVATION PLAN
  - EIH1029 NORTH ASH DISPOSAL POND DAM - DRAINAGE PLAN
  - EIH1022 ASH DISPOSAL POND DAM - STREAM DIVERSION PLAN
  - EIH1023 ASH DISPOSAL POND - SETTLING POND & STORAGE POND - CLEARING & GRUBBING
  - EIH1027 WATER STORAGE POND AND ASH DISPOSAL POND DAMS - STREAM DIVERSION PLANS - SECTIONS AND DETAILS
  - EIH1030 ASH DISPOSAL POND - SPILLWAY & CONTROLLED DISCHARGE STRUCTURE - EXCAVATION - PLAN & DETAILS
  - EIH1031 ASH DISPOSAL POND - SPILLWAY & CONTROLLED DISCHARGE STRUCTURE - ARRANGEMENT AND GRADING - PLAN & DETAILS
  - EIH1033 SOUTH ASH DISPOSAL POND DAM - DRAINAGE PLAN
  - EIH1036 ASH DISPOSAL POND SPILLWAY & CONTROLLED DISCHARGE STRUCTURE - EXCAVATION - SECTIONS
  - EIH1037 ASH DISPOSAL POND - SPILLWAY & CONTROLLED DISCHARGE STRUCTURE - ARRANGEMENT AND GRADING - SECTIONS
  - EIH1038 ASH DISPOSAL POND - SPILLWAY & CONTROLLED DISCHARGE STRUCTURE - ARRANGEMENT AND GRADING - SECTIONS

REVISION												REVISION O												REVISION A											
DATE												DATE 7-19-77												DATE 2-1-77											
BY												A. APPROVED												ISSUED FOR INQUIRY											
CHK'D												CC												WDP											
APPR 1												NTD												FCJ											
APPR 2												RLD												WDP											
APPR 3												CC												WDP											
APPR 4												CC												WDP											
APPR 5												CC												WDP											
APPR 6												CC												WDP											
APPR 7												CC												WDP											
APPR 8												CC												WDP											
APPR 9												CC												WDP											
APPR 10												CC												WDP											
APPR 11												CC												WDP											
APPR 12												CC												WDP											
APPR 13												CC												WDP											
APPR 14												CC												WDP											
APPR 15												CC												WDP											
APPR 16												CC												WDP											
APPR 17												CC												WDP											
APPR 18												CC												WDP											
APPR 19												CC												WDP											
APPR 20												CC												WDP											
APPR 21												CC												WDP											
APPR 22												CC												WDP											
APPR 23												CC												WDP											
APPR 24												CC												WDP											
APPR 25												CC												WDP											
APPR 26												CC												WDP											
APPR 27												CC												WDP											
APPR 28												CC												WDP											
APPR 29												CC												WDP											
APPR 30												CC												WDP											
APPR 31												CC												WDP											
APPR 32												CC												WDP											
APPR 33												CC												WDP											
APPR 34												CC												WDP											
APPR 35												CC												WDP											
APPR 36												CC												WDP											
APPR 37												CC												WDP											
APPR 38												CC												WDP											
APPR 39												CC												WDP											
APPR 40												CC												WDP											
APPR 41												CC												WDP											
APPR 42												CC												WDP											
APPR 43												CC												WDP											
APPR 44												CC												WDP											
APPR 45												CC												WDP											
APPR 46												CC												WDP											
APPR 47												CC												WDP											
APPR 48												CC												WDP											
APPR 49												CC												WDP											
APPR 50												CC												WDP											
APPR 51												CC												WDP											
APPR 52												CC												WDP											
APPR 53												CC												WDP											
APPR 54												CC												WDP											
APPR 55												CC												WDP											
APPR 56												CC												WDP											
APPR 57												CC												WDP											
APPR 58												CC												WDP											
APPR 59												CC												WDP											
APPR 60												CC												WDP											
APPR 61												CC												WDP											
APPR 62												CC												WDP											
APPR 63												CC												WDP											
APPR 64												CC												WDP											
APPR 65												CC												WDP											
APPR 66												CC												WDP											
APPR 67												CC												WDP											
APPR 68												CC												WDP											
APPR 69												CC												WDP											
APPR 70												CC												WDP											
APPR 71												CC												WDP											
APPR 72												CC												WDP											
APPR 73												CC												WDP											
APPR 74												CC												WDP											
APPR 75												CC												WDP											
APPR 76												CC												WDP											
APPR 77												CC												WDP											
APPR 78												CC												WDP											
APPR 79												CC												WDP											
APPR 80												CC												WDP											
APPR 81												CC												WDP											
APPR 82												CC												WDP											
APPR 83												CC												WDP											
APPR 84												CC												WDP											
APPR 85												CC												WDP											
APPR 86												CC												WDP											
APPR 87												CC												WDP											
APPR 88												CC												WDP											
APPR 89												CC												WDP											
APPR 90												CC												WDP											
APPR 91												CC												WDP											
APPR 92												CC												WDP											
APPR 93												CC												WDP											
APPR 94												CC												WDP											
APPR 95												CC												WDP											
APPR 96												CC												WDP											
APPR 97												CC												WDP											
APPR 98												CC												WDP											
APPR 99												CC												WDP											
APPR 100												CC												WDP											

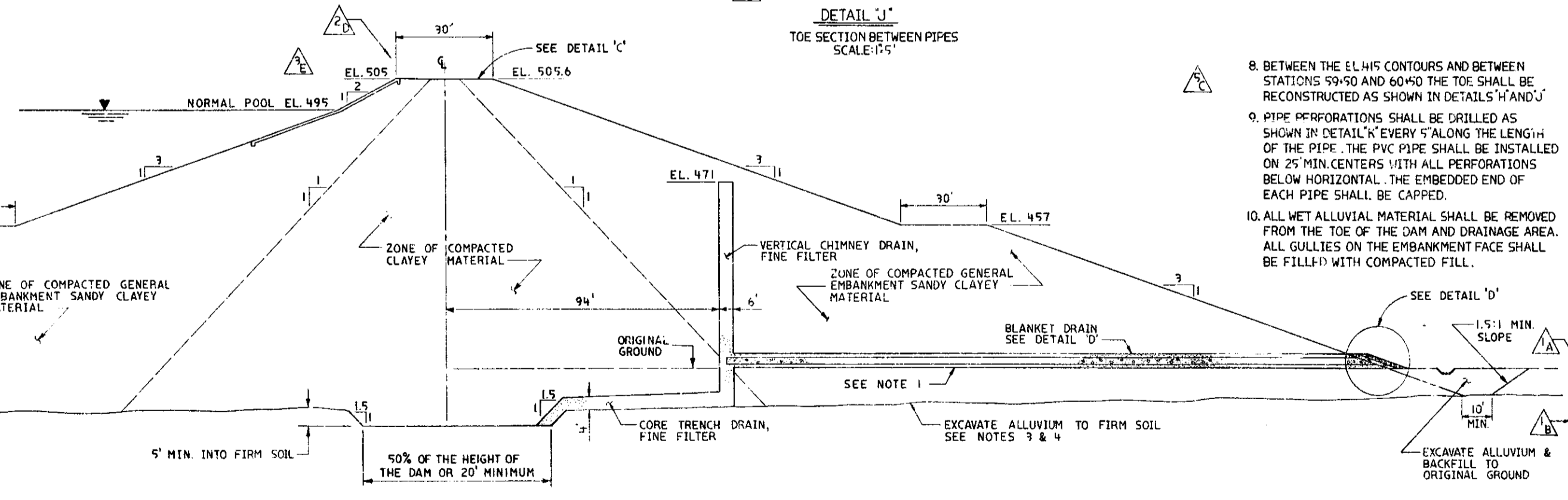
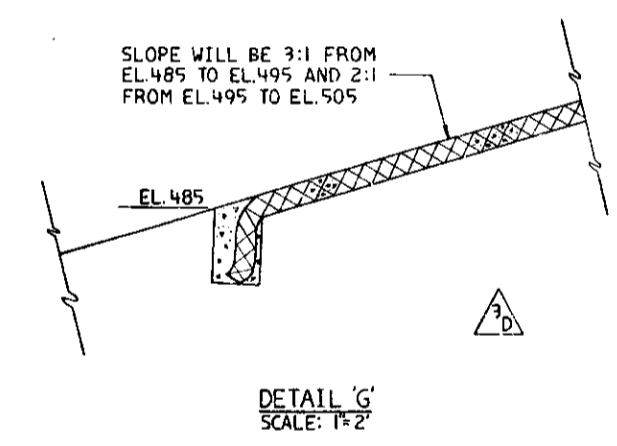
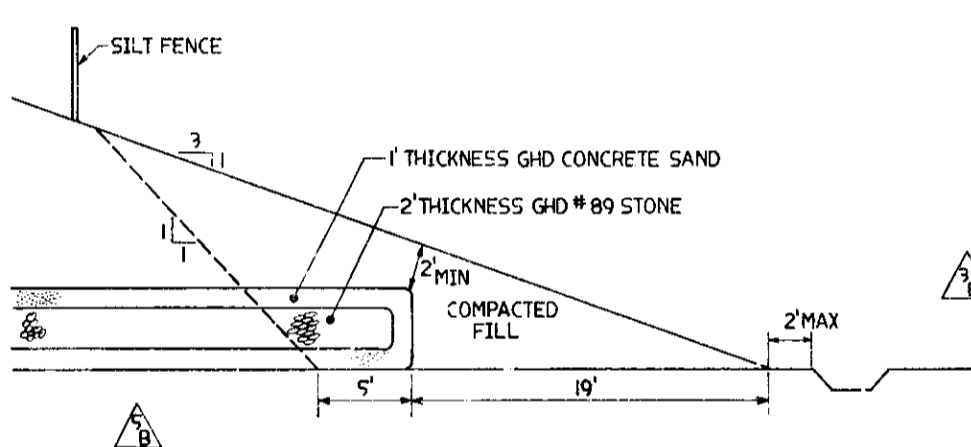
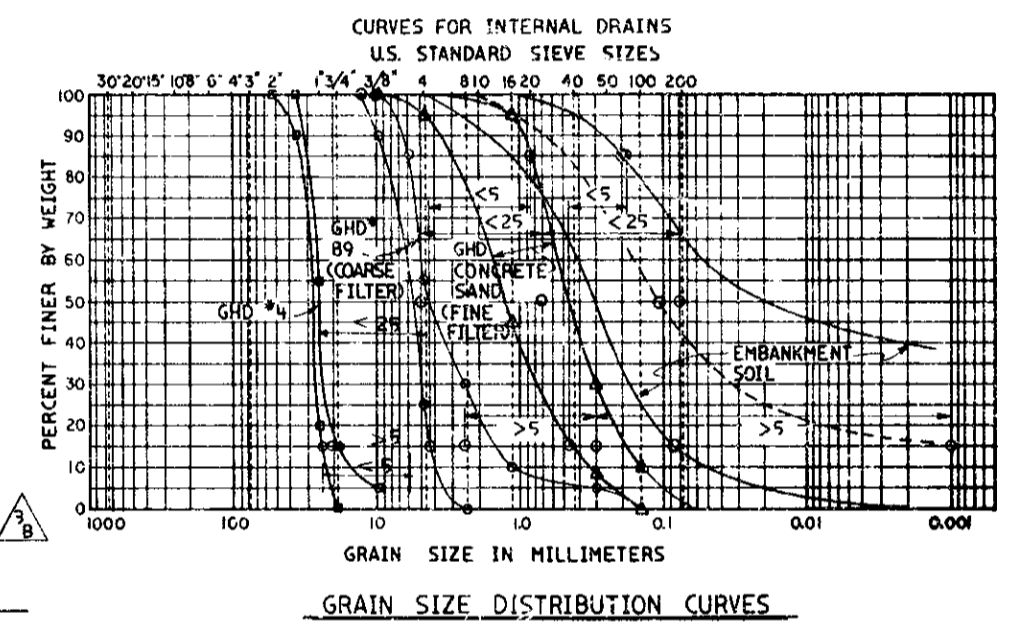
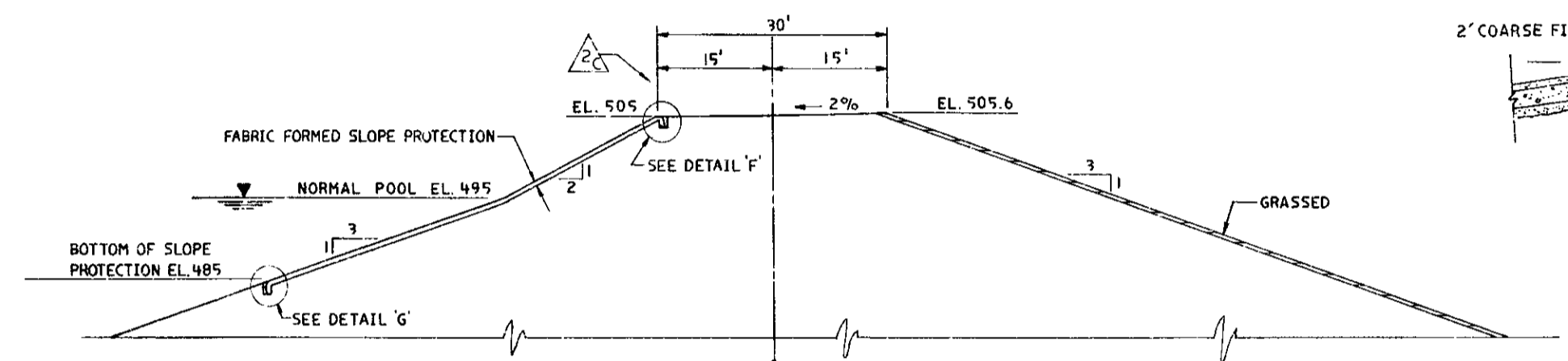
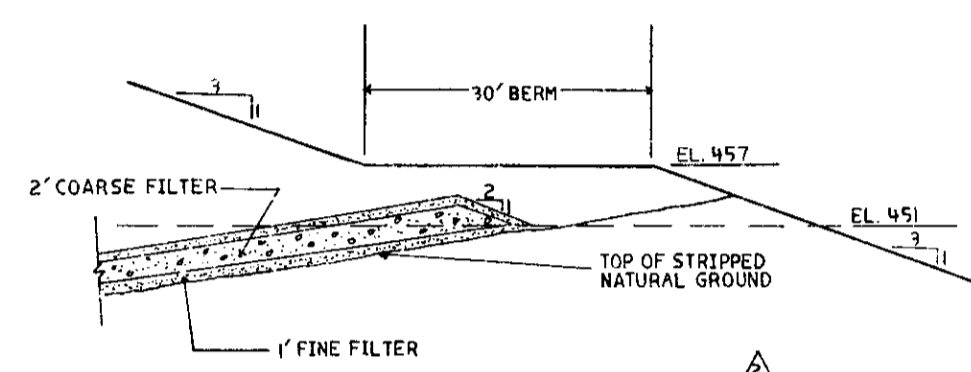
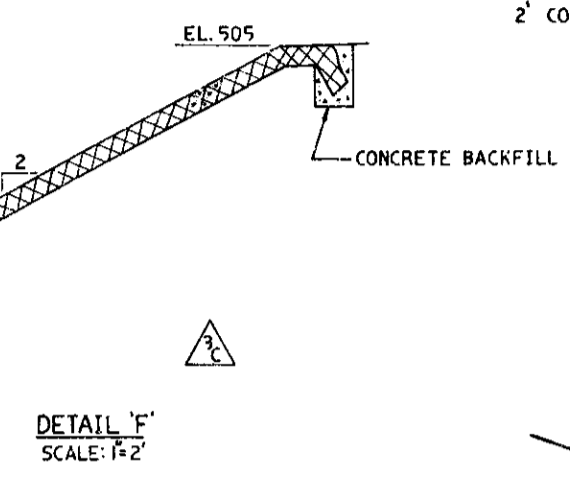
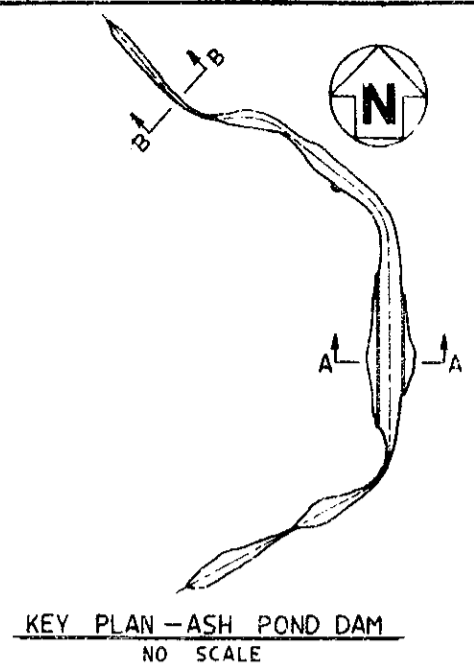
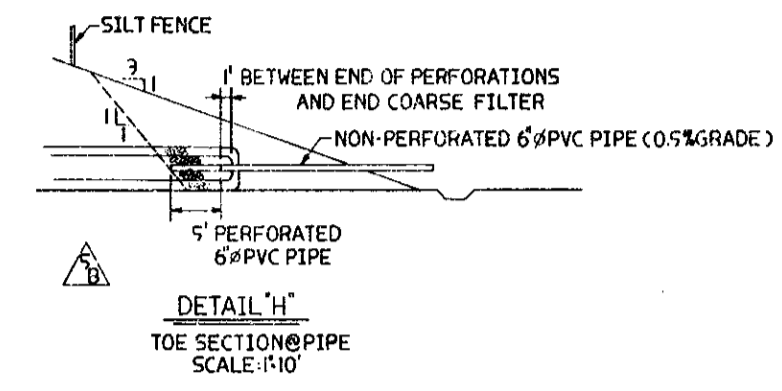
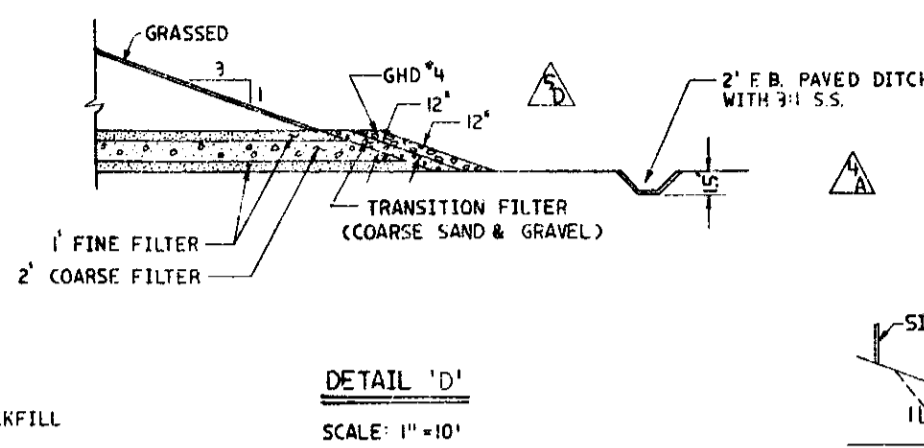
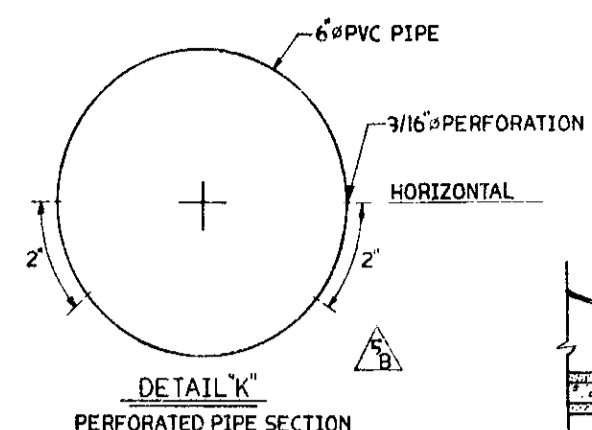
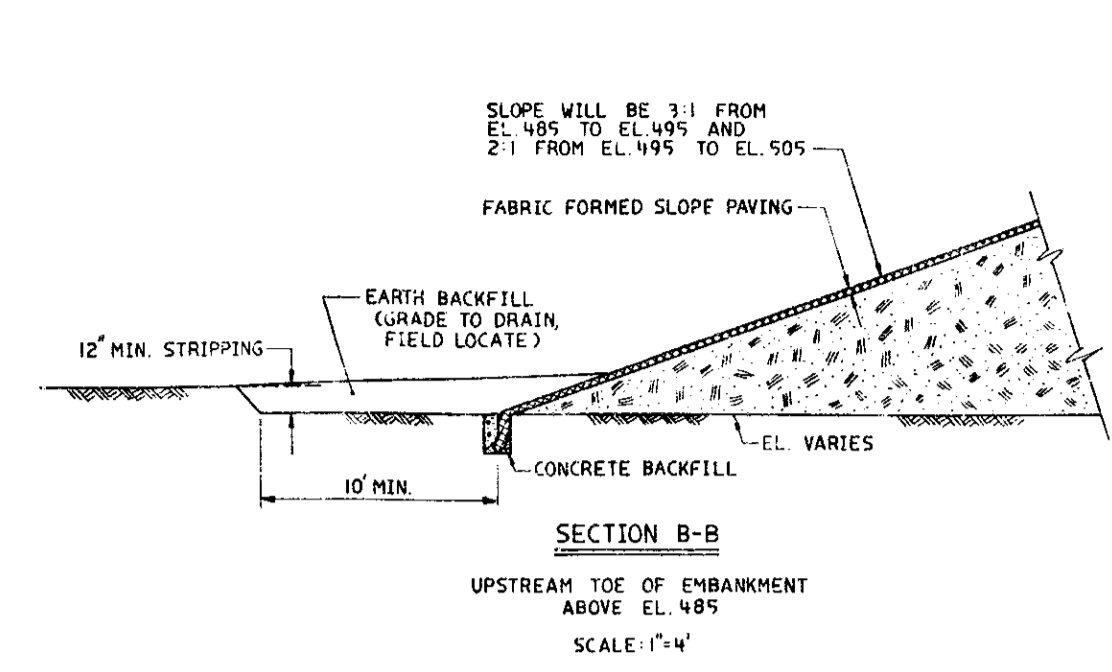
**Southern Services, Inc.**  
 for  
**Georgia Power Company**

**PLANT SCHERER**  
**ASH DISPOSAL POND DAM**  
**GENERAL ARRANGEMENT**

DESIGNED R.D.P. DRAWN C.C. CHECKED WDP  
 SCALE 1" = 200' CONTINUED ON SHEET  
 CLASSIFICATION DRAWING NUMBER SHEET REV.  
 SEE NOTES 10505 EIH1001 0



2001H13



- NOTES:
1. THE BLANKET DRAIN IN THE DOWNSTREAM PORTION OF THE DAM SHALL BE TYPICALLY PLACED DIRECTLY ON STRIPPED ORIGINAL GROUND; HOWEVER, WHERE THE EXCAVATION OF ALLUVIUM IS REQUIRED THE BLANKET DRAIN SHALL BE PLACED AT THE GRADE OF THE ORIGINAL GROUND.
  2. SAC NUMBERS  
11100 ASH POND CLEARING  
11100 ASH POND SOUTH DIKE  
11100 ASH POND EAST DIKE  
11100 ASH POND NORTH DIKE  
11100 ASH POND RIPRAP
  3. EXCAVATION FOR EMBANKMENT FOUNDATION SHALL BE TO THE DEPTHS ESTABLISHED IN THE FIELD BY THE PURCHASER'S GEOTECHNICAL REPRESENTATIVE, AND APPROVED BEFORE PLACEMENT OF ANY FILL.
  4. FIRM SOIL LAYER IS TYPICALLY A SOIL LAYER WITH A STANDARD PENETRATION RESISTANCE EQUAL TO OR GREATER THAN TER.
  5. VERTICAL CHIMNEY DRAIN AND BLANKET DRAIN SHALL BE DISCONTINUED IN AREAS WHERE THE ELEVATION OF STRIPPED GROUND IS ABOVE EL. 471.
  6. IN AREAS WHERE ALLUVIUM EXCAVATION IS ADJACENT TO STRIPPED GROUND THE BLANKET DRAIN SHALL BE PLACED TO TRANSITION FROM THE ELEVATION OF NATURAL GROUND TO THE ELEVATION OF THE ADJACENT STRIPPED GROUND.
  7. THE BLANKET DRAIN WILL BE DISCONTINUED BEYOND THE POINT AT WHICH THE ELEVATION OF STRIPPED NATURAL GROUND BENEATH THE 30' BERM RISES ABOVE 45' (DETAIL 'E')
- REFERENCES: 1. E1100 ASH DISPOSAL POND DAM - GENERAL ARRANGEMENT  
2. E11006 ASH DISPOSAL POND DAM - EXCAVATION PLAN  
3. E11005 ASH DISPOSAL POND DAM - ALIGNMENT

REVISION	DATE	REVISION	DATE	REVISION	DATE	REVISION	DATE	REVISION	DATE	REVISION	DATE	REVISION	DATE
5	11-3-82	4	10-16-81	3	5-8-80	2	1-23-79	1	5-11-77	0	3-28-77	A	2-1-77
A. CHANGED AS PER CN H-B. B. ADDED DETAILS H, J, AND K. C. ADDED NOTES 8, 9, 10. D. REVISED DETAIL 'D'.		A G3, CHANGED DITCHES PER CR-C-137		A F2, REMOVED GRAIN SIZE CURVE B D2, REMOVED NOTE C G5, ADDED DETAIL 'I' D D8, ADDED DETAIL 'G' E H7, E7, C5 CHANGED SLOPE PROTECTION AS PER CN #H6		A. B1, ADDED NOTE 7 B. F4, ADDED DETAIL 'E' C. E7, CHANGED FILTER DETAIL AT CREST D. C5, CHANGED FILTER DETAIL AT CREST		A B1, ADDED NOTE 5 B B2, ADDED NOTE 6		A. APPROVED		ISSUED FOR INQUIRY	
BY	CHK'D	APPR'D	APPR'D	APPR'D	APPR'D	APPR'D	APPR'D	APPR'D	APPR'D	APPR'D	APPR'D	APPR'D	APPR'D

**Southern Services, Inc.**  
FOR  
**GEORGIA POWER COMPANY**

**PLANT SCHERER**  
ASH DISPOSAL POND DAM  
GENERAL SECTIONS AND DETAILS

DESIGNED: WDP    DRAWN: CC    CHECKED: RDP

SCALE: AS SHOWN    CONTINUED ON SHEET

CLASSIFICATION:    DRAWING NUMBER:    SHEET:    REV:

SEE NOTES 10505 E 111002 5

9001H13



G.P.C. N 48,000

G.P.C. N 46,000

G.P.C. N 44,000

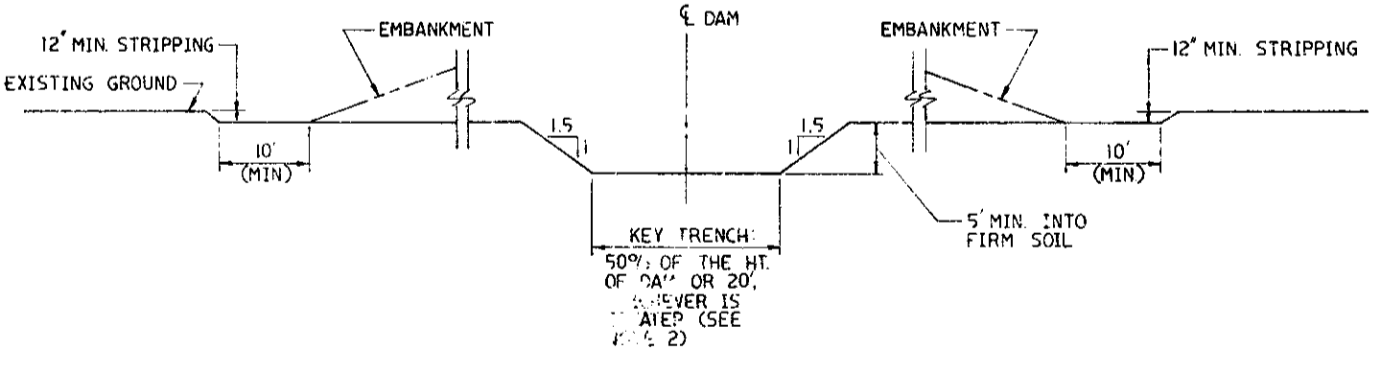
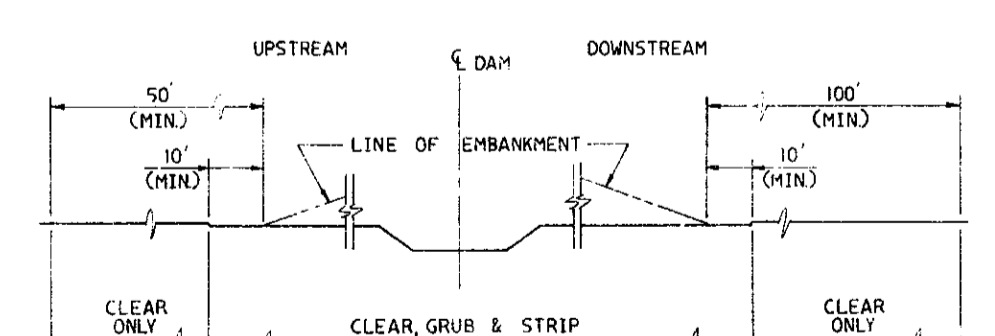
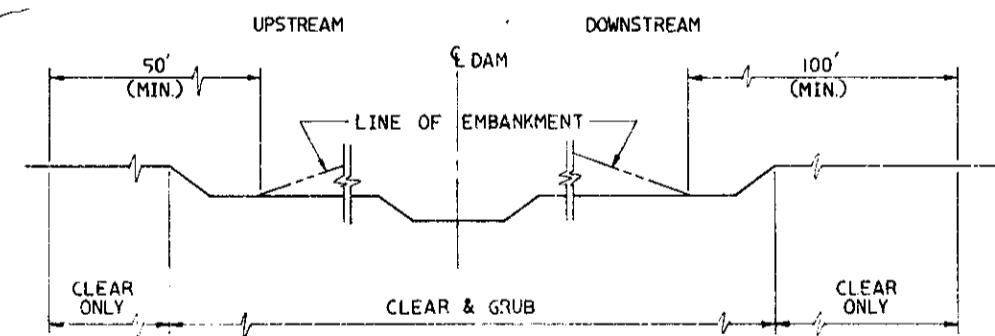
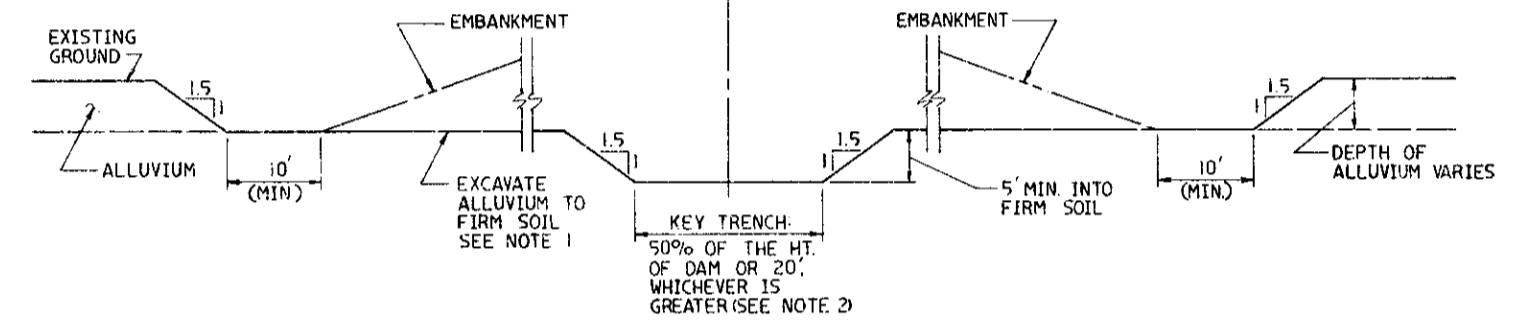
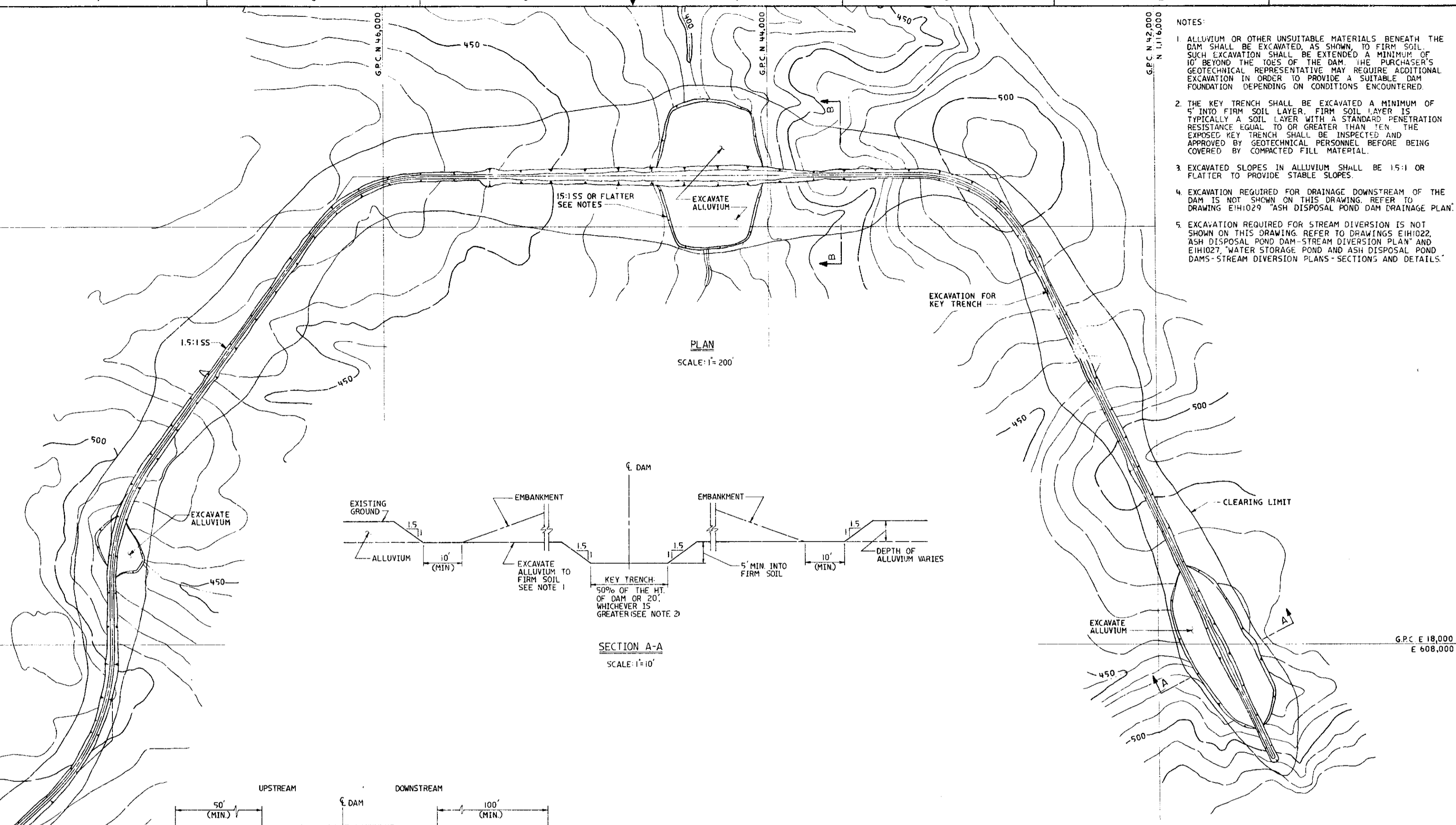
G.P.C. N 42,000

G.P.C. E 20,000

G.P.C. E 18,000

G.P.C. E 16,000

- NOTES:
- 1 ALLUVIUM OR OTHER UNSUITABLE MATERIALS BENEATH THE DAM SHALL BE EXCAVATED, AS SHOWN, TO FIRM SOIL. SUCH EXCAVATION SHALL BE EXTENDED A MINIMUM OF 10' BEYOND THE TOES OF THE DAM. THE PURCHASER'S GEOTECHNICAL REPRESENTATIVE MAY REQUIRE ADDITIONAL EXCAVATION IN ORDER TO PROVIDE A SUITABLE DAM FOUNDATION DEPENDING ON CONDITIONS ENCOUNTERED.
  - 2 THE KEY TRENCH SHALL BE EXCAVATED A MINIMUM OF 5' INTO FIRM SOIL LAYER. FIRM SOIL LAYER IS TYPICALLY A SOIL LAYER WITH A STANDARD PENETRATION RESISTANCE EQUAL TO OR GREATER THAN TEN. THE EXPOSED KEY TRENCH SHALL BE INSPECTED AND APPROVED BY GEOTECHNICAL PERSONNEL BEFORE BEING COVERED BY COMPACTED FILL MATERIAL.
  - 3 EXCAVATED SLOPES IN ALLUVIUM SHALL BE 1.5:1 OR FLATTER TO PROVIDE STABLE SLOPES.
  - 4 EXCAVATION REQUIRED FOR DRAINAGE DOWNSTREAM OF THE DAM IS NOT SHOWN ON THIS DRAWING. REFER TO DRAWING EIH1029 "ASH DISPOSAL POND DAM DRAINAGE PLAN".
  - 5 EXCAVATION REQUIRED FOR STREAM DIVERSION IS NOT SHOWN ON THIS DRAWING. REFER TO DRAWINGS EIH1022 "ASH DISPOSAL POND DAM-STREAM DIVERSION PLAN" AND EIH1027 "WATER STORAGE POND AND ASH DISPOSAL POND DAMS-STREAM DIVERSION PLANS-SECTIONS AND DETAILS".



SAC NUMBER: 111000 ASH POND

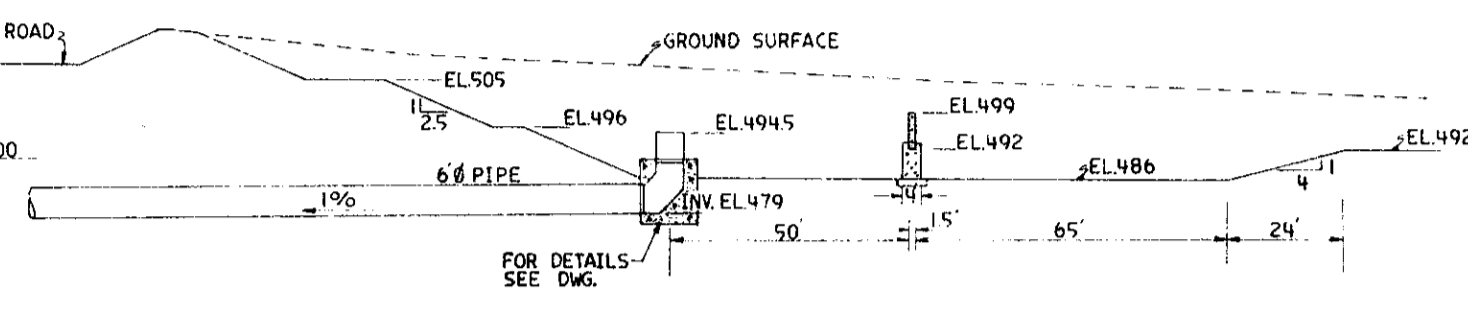
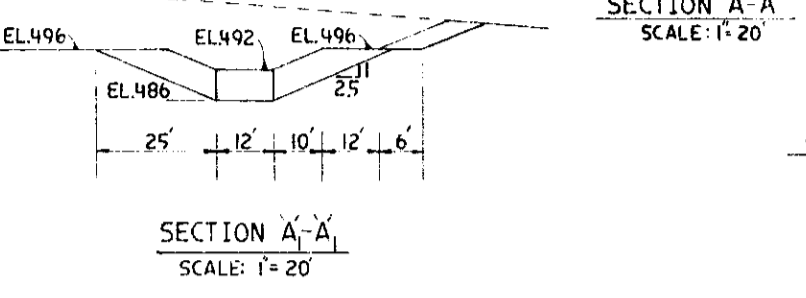
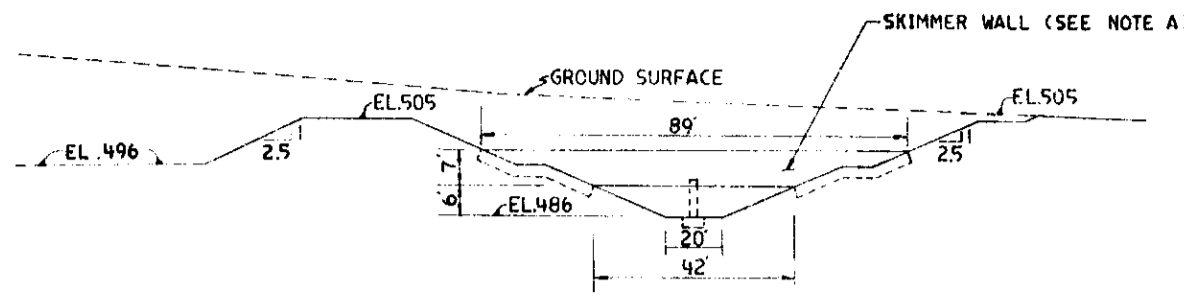
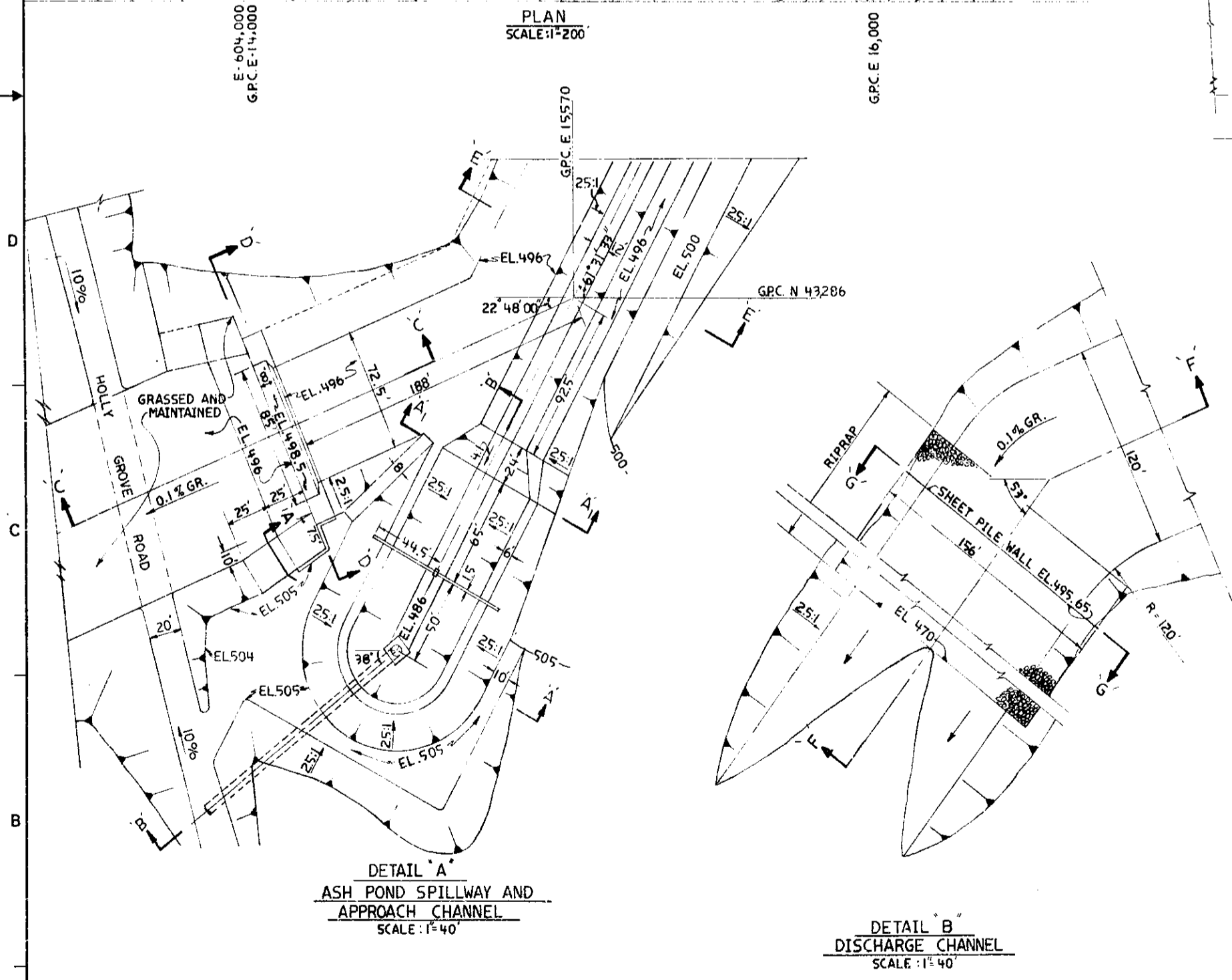
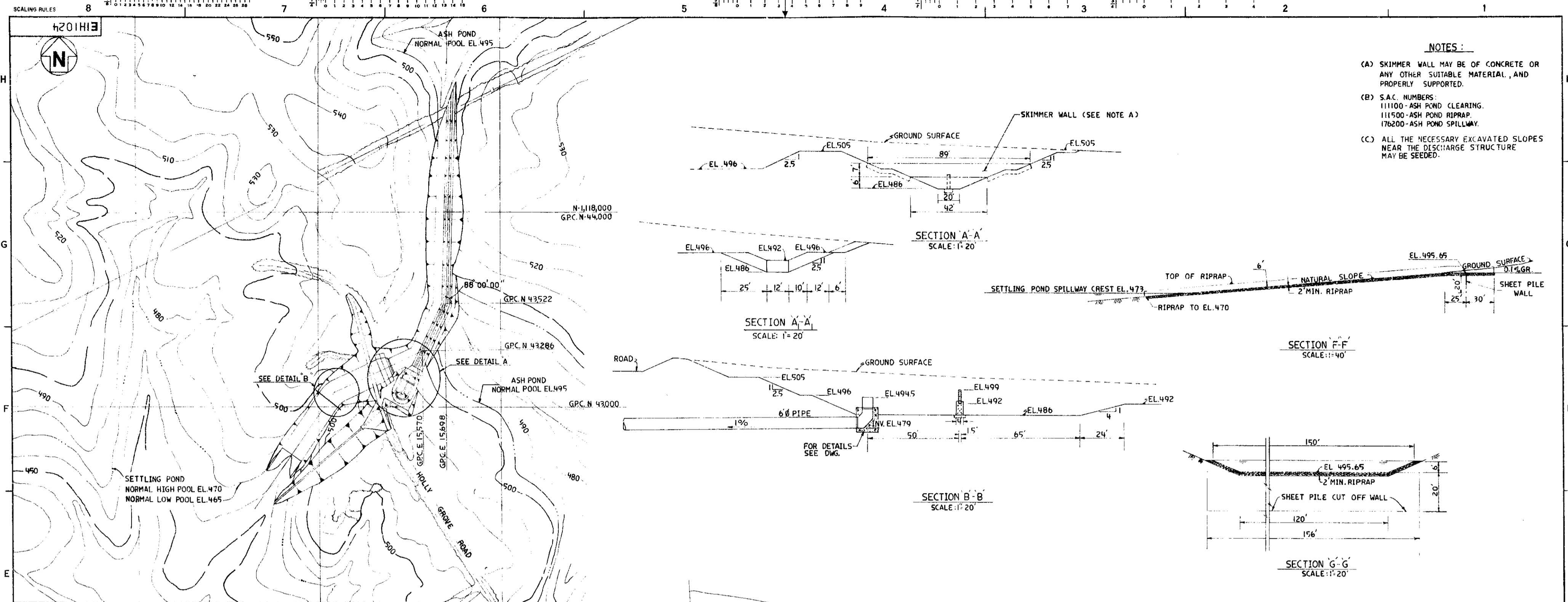
- REFERENCES:
- EIH1001 ASH DISPOSAL POND DAM-GENERAL ARRANGEMENT
  - EIH1002 ASH DISPOSAL POND DAM-GENERAL SECTIONS AND DETAILS
  - EIH1005 ASH DISPOSAL POND DAM-ALIGNMENT
  - EIH1022 ASH DISPOSAL POND DAM-STREAM DIVERSION PLAN
  - EIH1027 WATER STORAGE POND AND ASH DISPOSAL POND DAMS-STREAM DIVERSION PLANS-SECTIONS AND DETAILS
  - EIH1029 ASH DISPOSAL POND DAM-DRAINAGE PLAN

THIS DRAWING REPLACES EIC1505

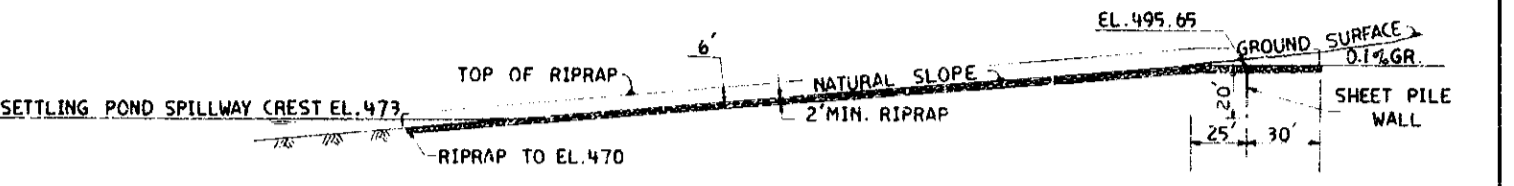
Southern Services, Inc. FOR Georgia Power Company		
PLANT SCHERER ASH DISPOSAL POND DAM EXCAVATION PLAN		
DESIGNED R.D.P.	DRAWN CC	CHECKED WDP
SCALE AS SHOWN	CONTINUED ON SHEET	
CLASSIFICATION	DRAWING NUMBER	SHEET REV
SEE NOTES 10505	EIH1006	0

REVISION	DATE	REVISION	DATE	REVISION	DATE	REVISION	DATE	REVISION	DATE	REVISION	DATE	REVISION	DATE

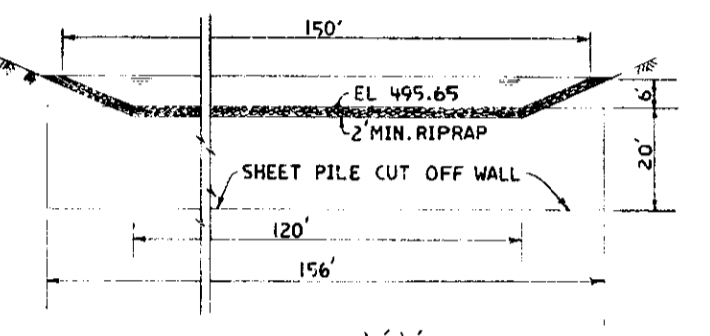
8000' ORIGINAL



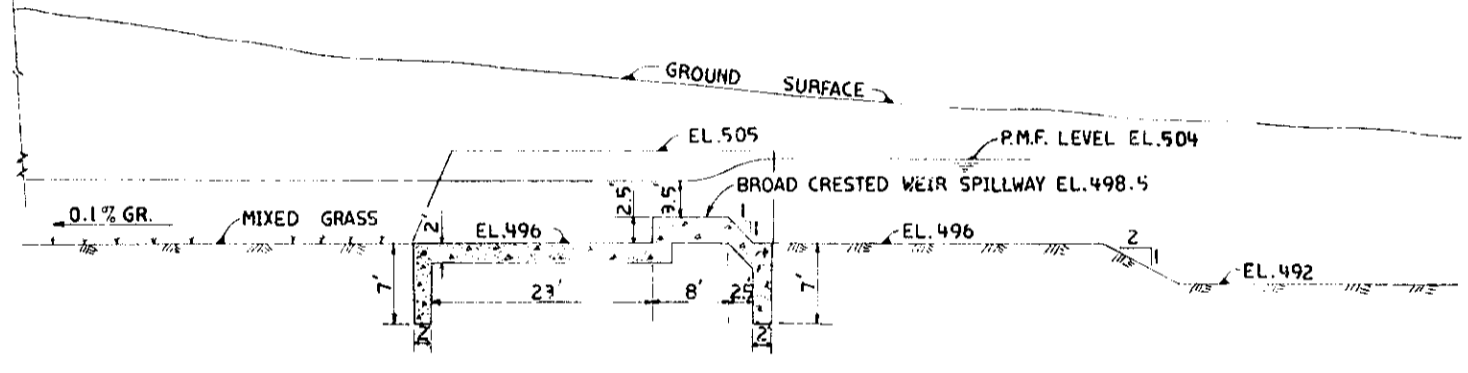
SECTION B-B  
SCALE: 1"=20'



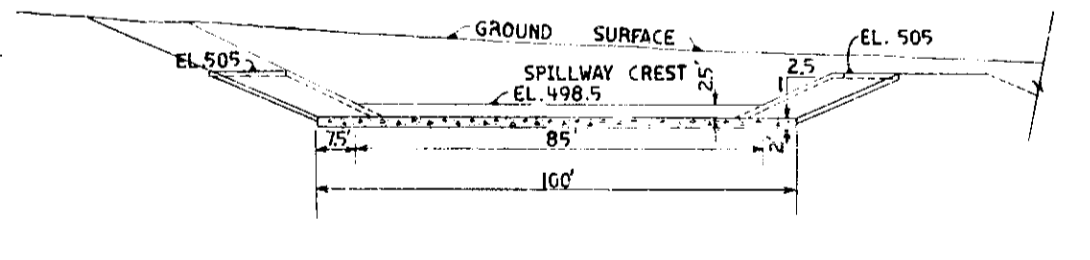
SECTION F-F  
SCALE: 1"=40'



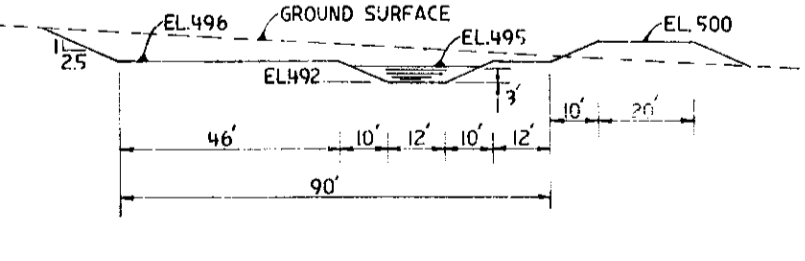
SECTION G-G  
SCALE: 1"=20'



SECTION C-C  
SCALE: 1"=10'



SECTION D-D  
SCALE: 1"=20'



SECTION E-E  
SCALE: 1"=20'

- NOTES:**
- (A) SKIMMER WALL MAY BE OF CONCRETE OR ANY OTHER SUITABLE MATERIAL, AND PROPERLY SUPPORTED.
  - (B) S.A.C. NUMBERS:  
111100 - ASH POND CLEARING  
111500 - ASH POND RIPRAP  
176200 - ASH POND SPILLWAY
  - (C) ALL THE NECESSARY EXCAVATED SLOPES NEAR THE DISCHARGE STRUCTURE MAY BE SEEDED.

REVISION	DATE	REVISION	DATE	REVISION	DATE	REVISION	DATE	REVISION	DATE	REVISION	DATE	REVISION	DATE

CONCEPTUAL DRAWING FOR ENGINEERING DESIGN ONLY NOT FOR CONSTRUCTION

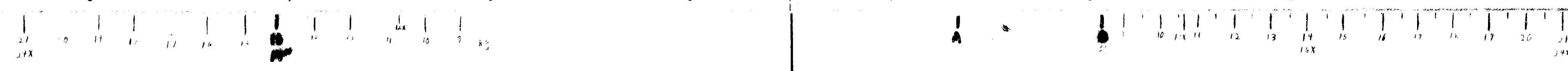
ISSUED FOR INFORMATION

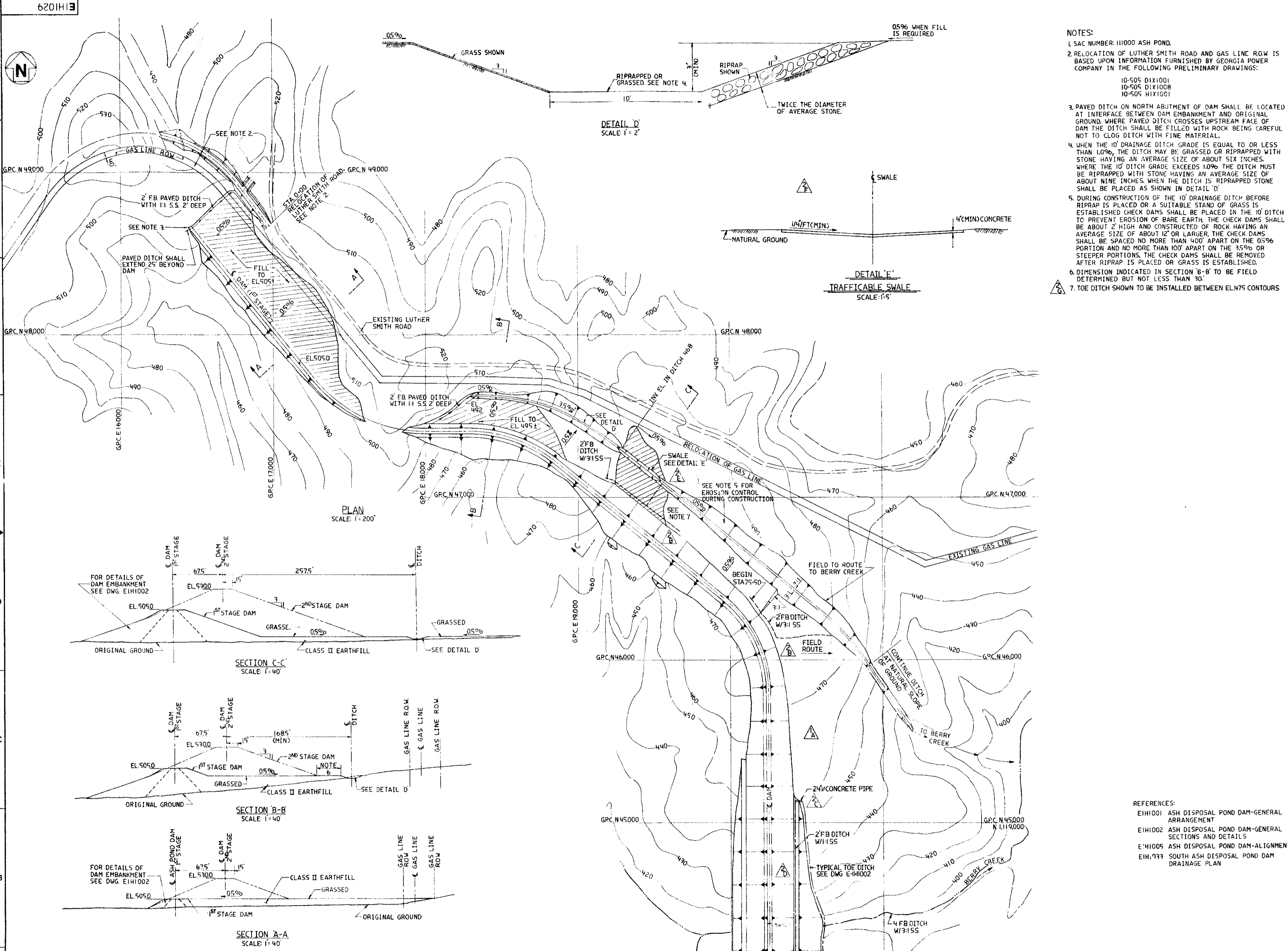
GENERAL REVISION

ISSUED FOR INQUIRY

**Southern Services, Inc.**  
FOR  
**Georgia Power Company**  
PLANT SCHERER  
ASH POND CONTROLLED DISCHARGE STRUCTURE  
GENERAL LAYOUT AND SECTIONS

DESIGNED G.A. DRAWN C.D.L. CHECKED C.S.C.  
SCALE AS SHOWN CONTINUED ON SHEET  
CLASSIFICATION DRAWING NUMBER SHEET REV.  
SEE NOTE 10505 E 111024 0





- NOTES:**
- SAC NUMBER: 11000 ASH POND.
  - RELOCATION OF LUTHER SMITH ROAD AND GAS LINE ROW IS BASED UPON INFORMATION FURNISHED BY GEORGIA POWER COMPANY IN THE FOLLOWING PRELIMINARY DRAWINGS:  
10-505 D1X1001  
10-505 D1X1008  
10-505 H1X1001
  - PAVED DITCH ON NORTH ABUTMENT OF DAM SHALL BE LOCATED AT INTERFACE BETWEEN DAM EMBANKMENT AND ORIGINAL GROUND. WHERE PAVED DITCH CROSSES UPSTREAM FACE OF DAM THE DITCH SHALL BE FILLED WITH ROCK BEING CAREFUL NOT TO CLOG DITCH WITH FINE MATERIAL.
  - WHEN THE 10' DRAINAGE DITCH GRADE IS EQUAL TO OR LESS THAN 10%, THE DITCH MAY BE GRASSED OR RIPRAPPED WITH STONE HAVING AN AVERAGE SIZE OF ABOUT SIX INCHES. WHEN THE 10' DITCH GRADE EXCEEDS 10% THE DITCH MUST BE RIPRAPPED WITH STONE HAVING AN AVERAGE SIZE OF ABOUT NINE INCHES. WHEN THE DITCH IS RIPRAPPED STONE SHALL BE PLACED AS SHOWN IN DETAIL 'D'.
  - DURING CONSTRUCTION OF THE 10' DRAINAGE DITCH BEFORE RIPRAP IS PLACED OR A SUITABLE STAND OF GRASS IS ESTABLISHED CHECK DAMS SHALL BE PLACED IN THE 10' DITCH TO PREVENT EROSION OF BARE EARTH. THE CHECK DAMS SHALL BE ABOUT 2' HIGH AND CONSTRUCTED OF ROCK HAVING AN AVERAGE SIZE OF ABOUT 12" OR LARGER. THE CHECK DAMS SHALL BE SPACED NO MORE THAN 400' APART ON THE 0.5% PORTION AND NO MORE THAN 100' APART ON THE 3.5% OR STEEPER PORTIONS. THE CHECK DAMS SHALL BE REMOVED AFTER RIPRAP IS PLACED OR GRASS IS ESTABLISHED.
  - DIMENSION INDICATED IN SECTION 'B-B' TO BE FIELD DETERMINED BUT NOT LESS THAN 30'.
  - TOE DITCH SHOWN TO BE INSTALLED BETWEEN EL.475 CONTOURS.

**DETAIL 'D'**  
SCALE: 1" = 2'

**DETAIL 'E'**  
TRAFFICABLE SWALE  
SCALE: 1" = 5'

**PLAN**  
SCALE: 1" = 200'

**SECTION C-C**  
SCALE: 1" = 40'

**SECTION B-B**  
SCALE: 1" = 40'

**SECTION A-A**  
SCALE: 1" = 40'

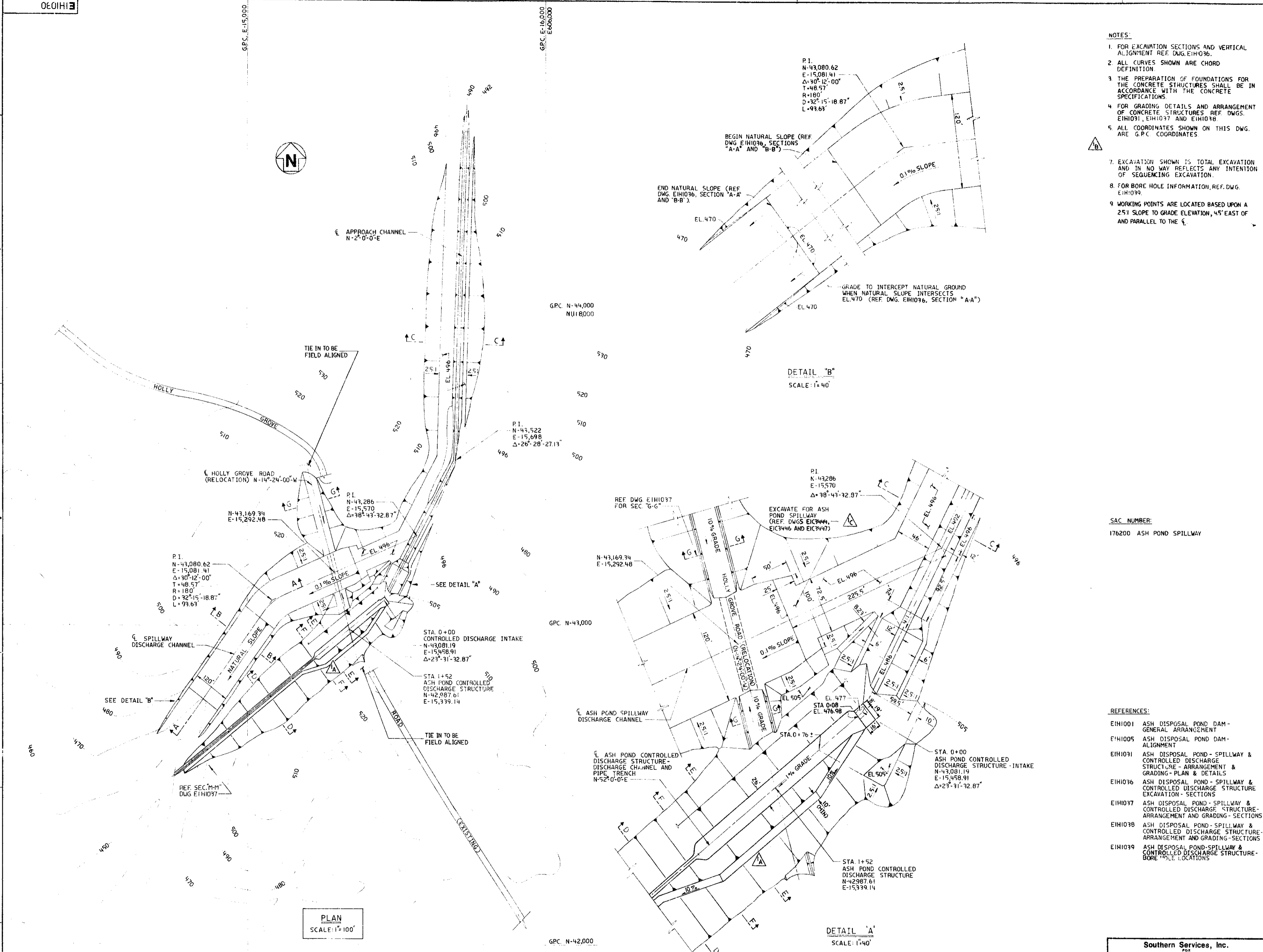
- REFERENCES:**
- E1H1001 ASH DISPOSAL POND DAM-GENERAL ARRANGEMENT
  - E1H1002 ASH DISPOSAL POND DAM-GENERAL SECTIONS AND DETAILS
  - E1H1005 ASH DISPOSAL POND DAM-ALIGNMENT
  - E1H1933 SOUTH ASH DISPOSAL POND DAM DRAINAGE PLAN

REVISION		DATE	REVISION	DATE	REVISION	DATE	REVISION	DATE	REVISION	DATE	REVISION	DATE
A			REVISION 2 CONT.		REVISION 2		REVISION 1		REVISION 0		DATE 6-20-77	
			F. ADDED DETAIL 'E' G. ADDED NOTE 7		A. REVISED AS PER CN H-8 B. ADDED TOE DITCHES C. EXTENDED TOE DITCH TO END OF BERM, ADDED PIPE D. ADDED DITCH ON BERM E. ADDED SWALE		A. REMOVED DITCH ABOVE EL. 451 AS PER CR-C-197.		A. APPROVED			
BY		CHK'D	APP'D	APP'D	APP'D	APP'D	APP'D	APP'D	APP'D	APP'D	APP'D	APP'D
DLM		KSH										

**Southern Services, Inc.**  
for  
**Georgia Power Company**

**PLANT SCHERER**  
**NORTH ASH DISPOSAL POND DAM**  
**DRAINAGE PLAN**

SCALE AS SHOWN CONTINUED ON SHEET  
CLASSIFICATION DRAWING NUMBER SHEET REV.  
SEE NOTES 10505 E1H1029 2



- NOTES:**
1. FOR EXCAVATION SECTIONS AND VERTICAL ALIGNMENT REF. DWG. EIH036.
  2. ALL CURVES SHOWN ARE CHORD DEFINITION.
  3. THE PREPARATION OF FOUNDATIONS FOR THE CONCRETE STRUCTURES SHALL BE IN ACCORDANCE WITH THE CONCRETE SPECIFICATIONS.
  4. FOR GRADING DETAILS AND ARRANGEMENT OF CONCRETE STRUCTURES REF. DWGS. EIH031, EIH037 AND EIH038.
  5. ALL COORDINATES SHOWN ON THIS DWG. ARE G.P.C. COORDINATES.
  6. EXCAVATION SHOWN IS TOTAL EXCAVATION AND IN NO WAY REFLECTS ANY INTENTION OF SEQUENCING EXCAVATION.
  7. FOR BORE HOLE INFORMATION, REF. DWG. EIH039.
  8. WORKING POINTS ARE LOCATED BASED UPON A 2% SLOPE TO GRADE ELEVATION, 45' EAST OF AND PARALLEL TO THE C.

SAC NUMBER:  
176200 ASH POND SPILLWAY

- REFERENCES:**
- EIH001 ASH DISPOSAL POND DAM - GENERAL ARRANGEMENT
  - EIH005 ASH DISPOSAL POND DAM - ALIGNMENT
  - EIH031 ASH DISPOSAL POND - SPILLWAY & CONTROLLED DISCHARGE STRUCTURE - ARRANGEMENT & GRADING - PLAN & DETAILS
  - EIH036 ASH DISPOSAL POND - SPILLWAY & CONTROLLED DISCHARGE STRUCTURE EXCAVATION - SECTIONS
  - EIH037 ASH DISPOSAL POND - SPILLWAY & CONTROLLED DISCHARGE STRUCTURE - ARRANGEMENT AND GRADING - SECTIONS
  - EIH038 ASH DISPOSAL POND - SPILLWAY & CONTROLLED DISCHARGE STRUCTURE ARRANGEMENT AND GRADING - SECTIONS
  - EIH039 ASH DISPOSAL POND - SPILLWAY & CONTROLLED DISCHARGE STRUCTURE - BORE HOLE LOCATIONS

PLAN  
SCALE: 1"=100'

DETAIL "B"  
SCALE: 1"=40'

DETAIL "A"  
SCALE: 1"=40'

REVISION	DATE	REVISION	DATE	REVISION	DATE	REVISION	DATE	REVISION	DATE	REVISION	DATE	REVISION	DATE	REVISION	DATE					
A.C.C.M. REVISED EXCAVATION IN DISCHARGE CHANNEL. B.G.2, REMOVED NOTE 6 C.E.3, REMOVED HOLD										A-A APPROVED			ISSUED FOR COMMENT							
BY	CHK'D	APPR. 1	APPR. 2	APPR. 3	APPR. 4	APPR. 5	BY	CHK'D	APPR. 1	APPR. 2	APPR. 3	APPR. 4	APPR. 5	BY	CHK'D	APPR. 1	APPR. 2	APPR. 3	APPR. 4	APPR. 5

**Southern Services, Inc.**  
P.O. Box 10505  
**Georgia Power Company**

PLANT SCHERER  
ASH DISPOSAL POND  
SPILLWAY & CONTROLLED DISCHARGE STRUCTURE  
EXCAVATION - PLAN & DETAILS

DESIGNED TDL DRAWN CC CHECKED MRA  
SCALE AS SHOWN CONTINUED ON SHEET

CLASSIFICATION: SEE NOTE 10505  
DRAWING NUMBER: EIH030  
SHEET: 1



- NOTES:**
1. FOR EXCAVATION DETAILS, REF DWG E1H1030, ASH DISPOSAL POND SPILLWAY & CONTROLLED DISCHARGE STRUCTURE - EXCAVATION PLAN & DETAILS AND DWG E1H1036, ASH DISPOSAL POND SPILLWAY & CONTROLLED DISCHARGE STRUCTURE EXCAVATION SECTIONS.
  2. FOR SECTIONS AND VERTICAL ALIGNMENT, REF DWGS E1H1037 & E1H1038 ASH DISPOSAL POND SPILLWAY & CONTROLLED DISCHARGE STRUCTURE - ARRANGEMENT AND GRADING SECTIONS.
  3. ALL CURVES SHOWN ARE CHORD DEFINITION.
  4. ALL COORDINATES SHOWN ARE GPC COORDINATES.
  5. THE PREPARATION OF FOUNDATIONS FOR THE CONCRETE STRUCTURES SHALL BE IN ACCORDANCE WITH THE CONCRETE SPECIFICATIONS.
  6. ALL EXPOSED EARTH SLOPES WHICH ARE NOT OTHERWISE SPECIFIED SHALL BE GRASSED.
  7. FOR BORE HOLE INFORMATION, REF DWG. E1H1039.
  8. LOCATIONS OF POWER LINE AND TRANSMISSION LINES ARE APPROXIMATE.

SAC NUMBER: 176200 ASH POND SPILLWAY

- REFERENCES:**
- E1H1001 ASH DISPOSAL POND DAM - GENERAL ARRANGEMENT
  - E1H1005 ASH DISPOSAL POND DAM - ALIGNMENT
  - E1H1030 ASH DISPOSAL POND SPILLWAY & CONTROLLED DISCHARGE STRUCTURE - EXCAVATION PLAN & DETAILS
  - E1H1036 ASH DISPOSAL POND SPILLWAY & CONTROLLED DISCHARGE STRUCTURE - EXCAVATION SECTIONS
  - E1H1037 ASH DISPOSAL POND SPILLWAY & CONTROLLED DISCHARGE STRUCTURE - ARRANGEMENT AND GRADING SECTIONS
  - E1H1038 ASH DISPOSAL POND SPILLWAY & CONTROLLED DISCHARGE STRUCTURE - ARRANGEMENT AND GRADING SECTIONS
  - E1H1039 ASH DISPOSAL POND SPILLWAY & CONTROLLED DISCHARGE STRUCTURE - BORE HOLE LOCATIONS
  - E1C3444 OUTDOOR CONC - ASH DISPOSAL POND SPILLWAY - GENERAL ARRANGEMENT
  - E1C3445 OUTDOOR CONC - ASH DISPOSAL POND SPILLWAY - NEATLINE & REINF SHEET 1
  - E1C3446 OUTDOOR CONC - ASH DISPOSAL POND SPILLWAY - NEATLINE & REINF SHEET 2
  - E1C3447 OUTDOOR CONC - ASH DISPOSAL POND SPILLWAY - NEATLINE & REINF SHEET 3

PLAN SCALE: 1"=100'

DETAIL "C" SCALE: 1"=40'

REVISION	DATE	REVISION	DATE	REVISION	DATE	REVISION	DATE	REVISION	DATE	REVISION	DATE	REVISION	DATE	REVISION	DATE	REVISION	DATE	REVISION	DATE																				
										DATE 10-17-80					DATE 9-9-77					DATE 8-19-77																			
										A. C7,84, REVISED SLOPE CUT IN DISCHARGE CHANNEL					A. APPROVED					ISSUED FOR COMMENT																			
										B. BLADDED REFERENCES																													
										C. C2, D4, C5, D6, REMOVED HOLDS																													
										D. G2 REMOVED NOTE 5																													
BY	CHK'D	APP'R 1	APP'R 2	APP'R 3	APP'R 4	APP'R 5	APP'R 6	APP'R 7	APP'R 8	BY	CHK'D	APP'R 1	APP'R 2	APP'R 3	APP'R 4	APP'R 5	APP'R 6	APP'R 7	APP'R 8	BY	CHK'D	APP'R 1	APP'R 2	APP'R 3	APP'R 4	APP'R 5	APP'R 6	APP'R 7	APP'R 8	BY	CHK'D	APP'R 1	APP'R 2	APP'R 3	APP'R 4	APP'R 5	APP'R 6	APP'R 7	APP'R 8
										CLASSIFICATION					SCALE AS SHOWN					CONTINUED ON SHEET																			
										SEE NOTE 10505					E1H1031					SHEET 1																			

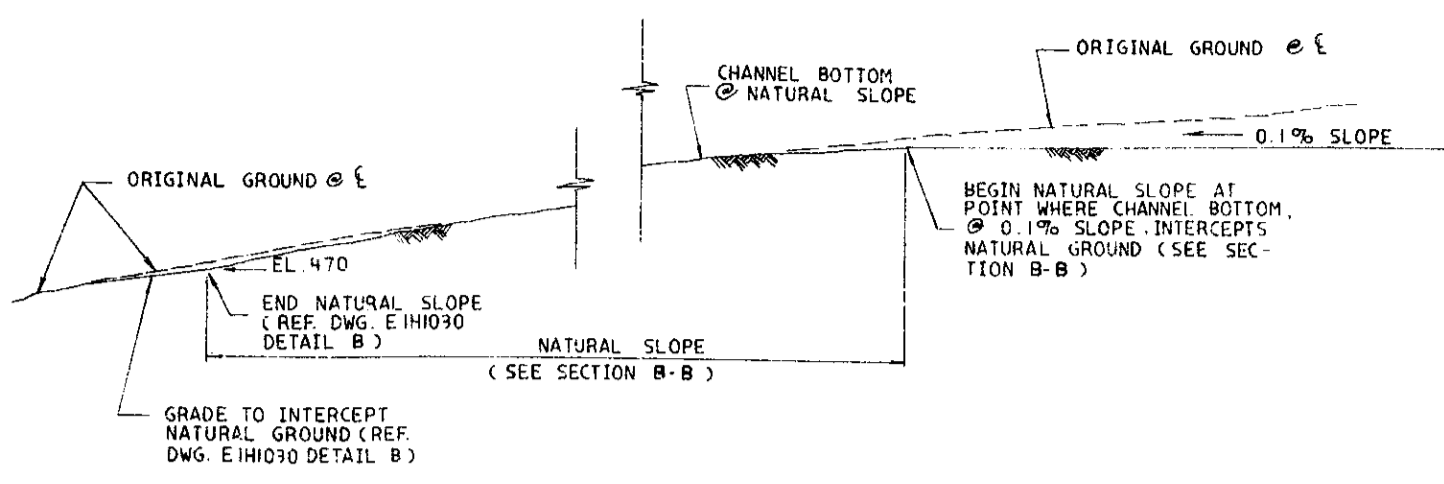
Southern Services, Inc.  
 FOR  
 Georgia Power Company

PLANT SCHERER  
 ASH DISPOSAL POND  
 SPILLWAY & CONTROLLED DISCHARGE STRUCTURE  
 ARRANGEMENT & GRADING - PLAN & DETAILS

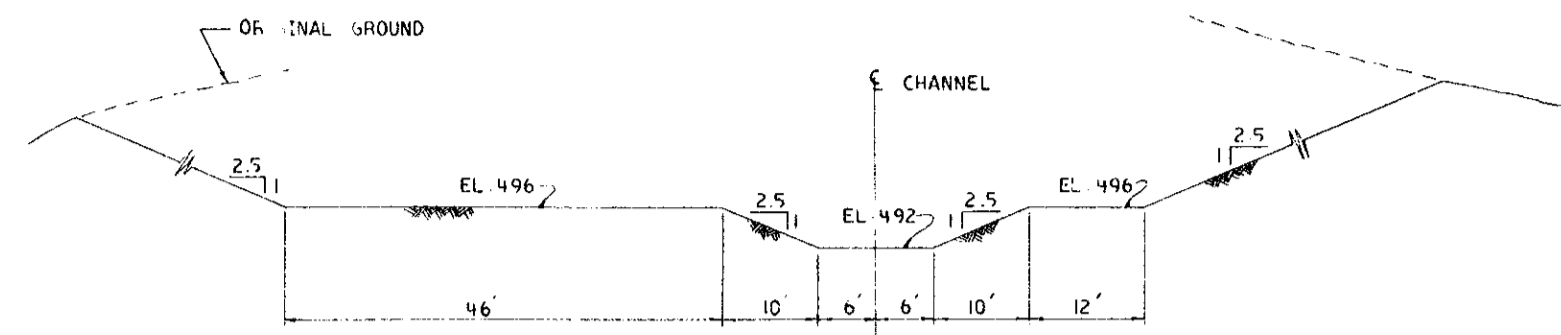
DESIGNED TDL DRAWN CC CHECKED MRA  
 SCALE AS SHOWN CONTINUED ON SHEET



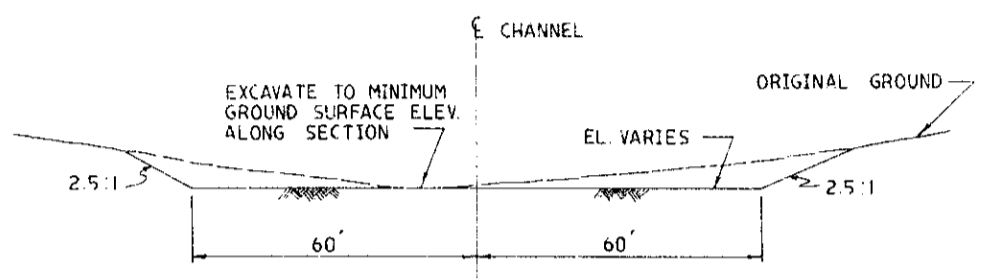
9E0IH13



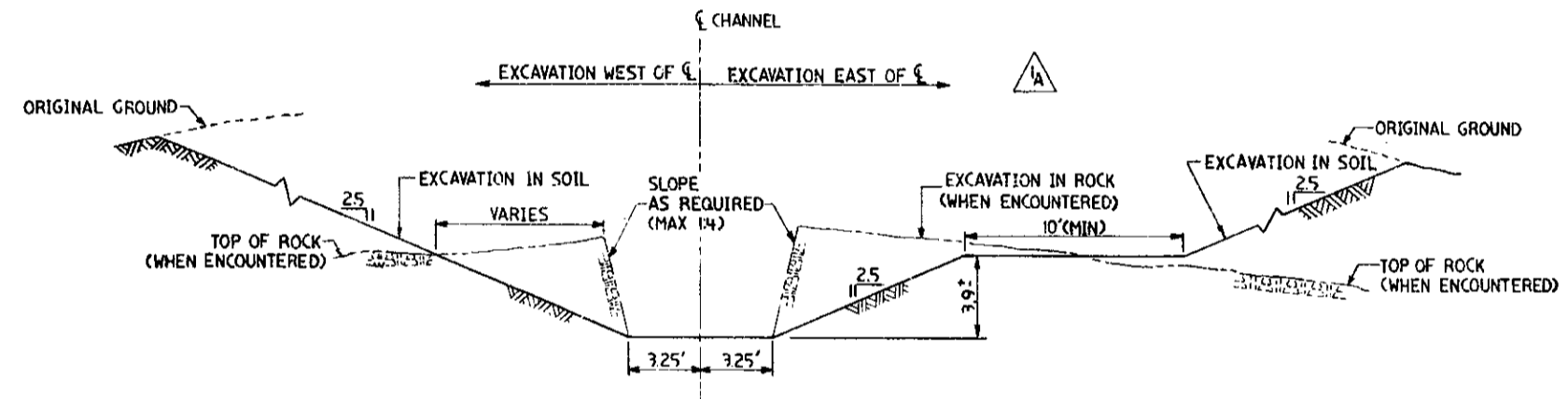
SECTION "A-A"  
NO SCALE



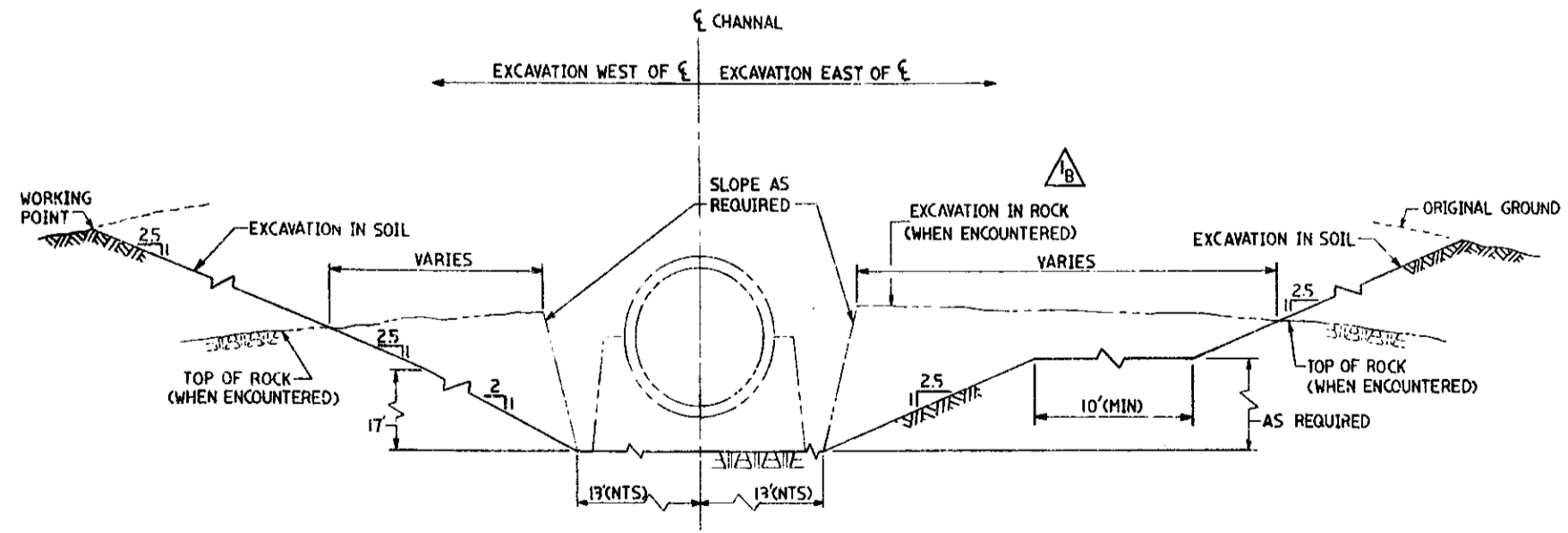
SECTION "C-C"  
SCALE 1:10



SECTION "B-B"  
SCALE 1:20



SECTION "D-D"  
CONTROLLED DISCHARGE STRUCTURE  
DISCHARGE CHANNEL  
STA. 3+60.05 : FORWARD  
SCALE: 1:4



SECTION "E-E"  
TYPICAL PIPE TRENCH SECTION  
STA 0+11 TO STA 2+85.5  
SCALE: 1:4

NOTES:

- FOR PLAN VIEW AND DETAILS OF EXCAVATION REF. DWG. E1H1030, "ASH DISPOSAL POND - SPILLWAY & CONTROLLED DISCHARGE STRUCTURE - EXCAVATION - PLAN & DETAILS."
- FOR ARRANGEMENT OF CONCRETE STRUCTURES AND FINAL GRADING DETAILS, REF. DWG. E1H1031, "ASH DISPOSAL POND - SPILLWAY & CONTROLLED DISCHARGE STRUCTURE - ARRANGEMENT AND GRADING - PLAN & DETAILS" AND DWG. E1H1037 AND E1H1038, "ASH DISPOSAL POND - SPILLWAY & CONTROLLED DISCHARGE STRUCTURE - ARRANGEMENT AND GRADING - SECTIONS."
- SECTIONS ARE TAKEN LOOKING UPSTREAM.
- EXCAVATED ROCK SURFACES AGAINST WHICH EMBANKMENT OR FILTER MATERIAL IS TO BE PLACED SHALL BE NO STEEPER THAN ONE (1) HORIZONTAL TO TEN (10) VERTICAL, WITH THE EXCEPTION OF THE NEAR VERTICAL FACE AS SHOWN ON SECTION "F-F" AND SHALL HAVE NO OVERHANGS.
- FOR BORE HOLE INFORMATION, REF. DWG. E1H1039.

SAC NUMBER:  
176200 ASH POND SPILLWAY

REFERENCES:

- E1H1001 - ASH DISPOSAL POND DAM - GENERAL ARRANGEMENT
- E1H1005 - ASH DISPOSAL POND DAM - ALIGNMENT
- E1H1030 - ASH DISPOSAL POND - SPILLWAY & CONTROLLED DISCHARGE STRUCTURE - EXCAVATION - PLAN & DETAILS
- E1H1037 - ASH DISPOSAL POND - SPILLWAY & CONTROLLED DISCHARGE STRUCTURE - ARRANGEMENT AND GRADING - SECTIONS
- E1H1038 - ASH DISPOSAL POND - SPILLWAY & CONTROLLED DISCHARGE STRUCTURE - ARRANGEMENT AND GRADING - SECTIONS
- E1H1031 - ASH DISPOSAL POND - SPILLWAY & CONTROLLED DISCHARGE STRUCTURE - ARRANGEMENT AND GRADING - PLAN & DETAILS
- E1H1039 - ASH DISPOSAL POND - SPILLWAY & CONTROLLED DISCHARGE STRUCTURE - BORE HOLE LOCATIONS

REVISION	DATE	REVISION	DATE	REVISION	DATE	REVISION	DATE	REVISION	DATE	REVISION	DATE	REVISION	DATE	REVISION	DATE
A. E6, E4, REVISED SECTION "D-D"										A. APPROVED			ISSUED FOR COMMENT		
B. C6, REVISED SECTION "E-E"															
C. C3, VOIDED SECTION "F-F"															
D. C7, RELEASED HOLD, REVISED SECTION															

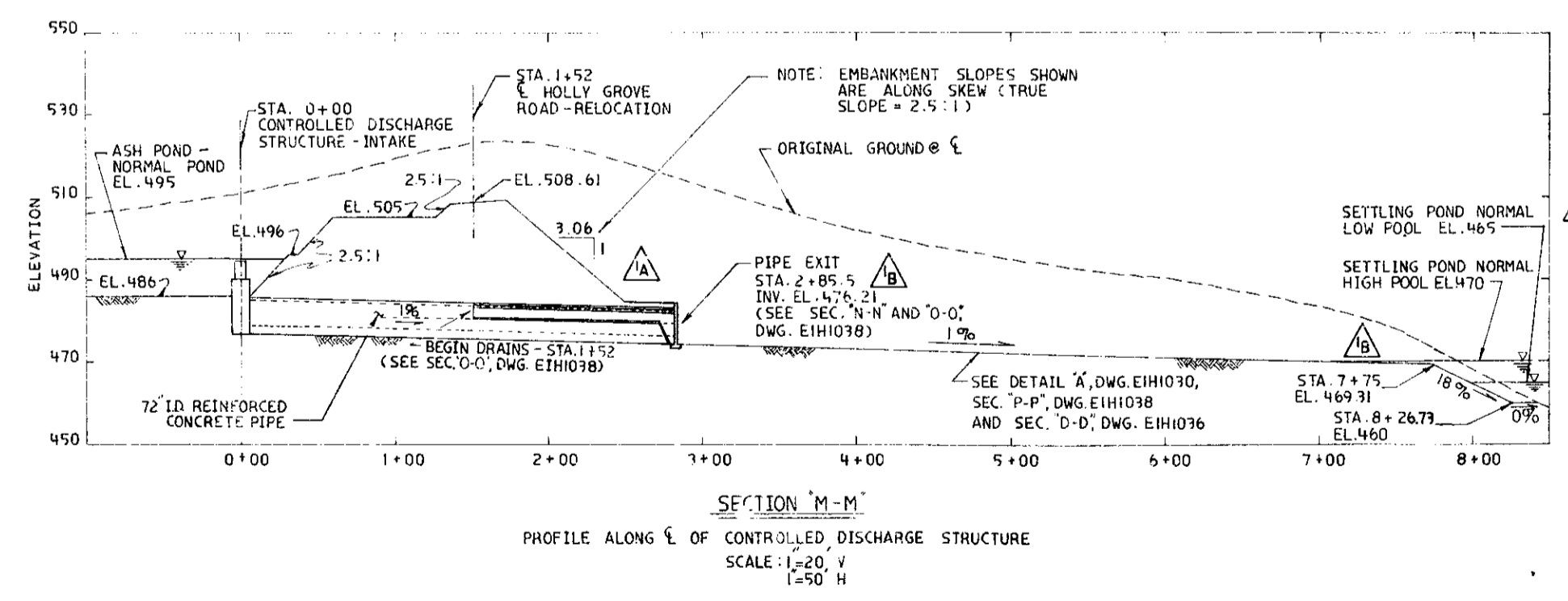
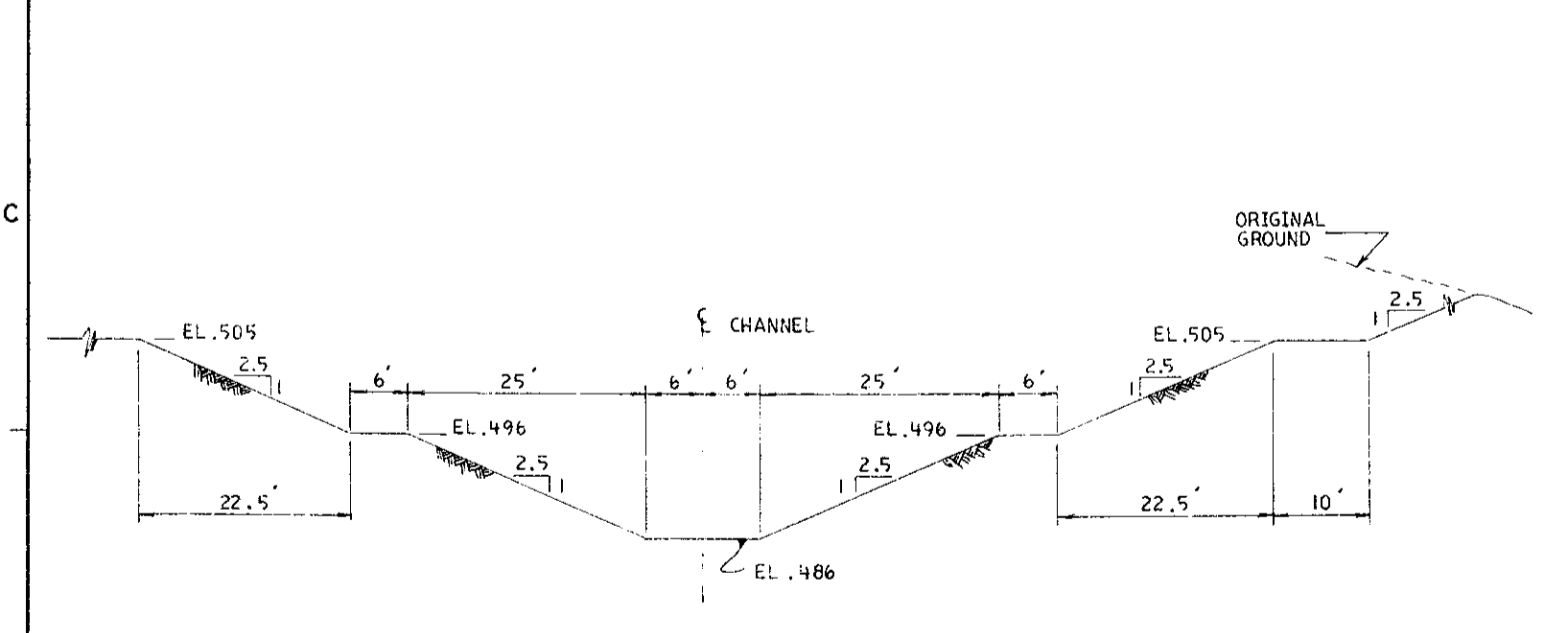
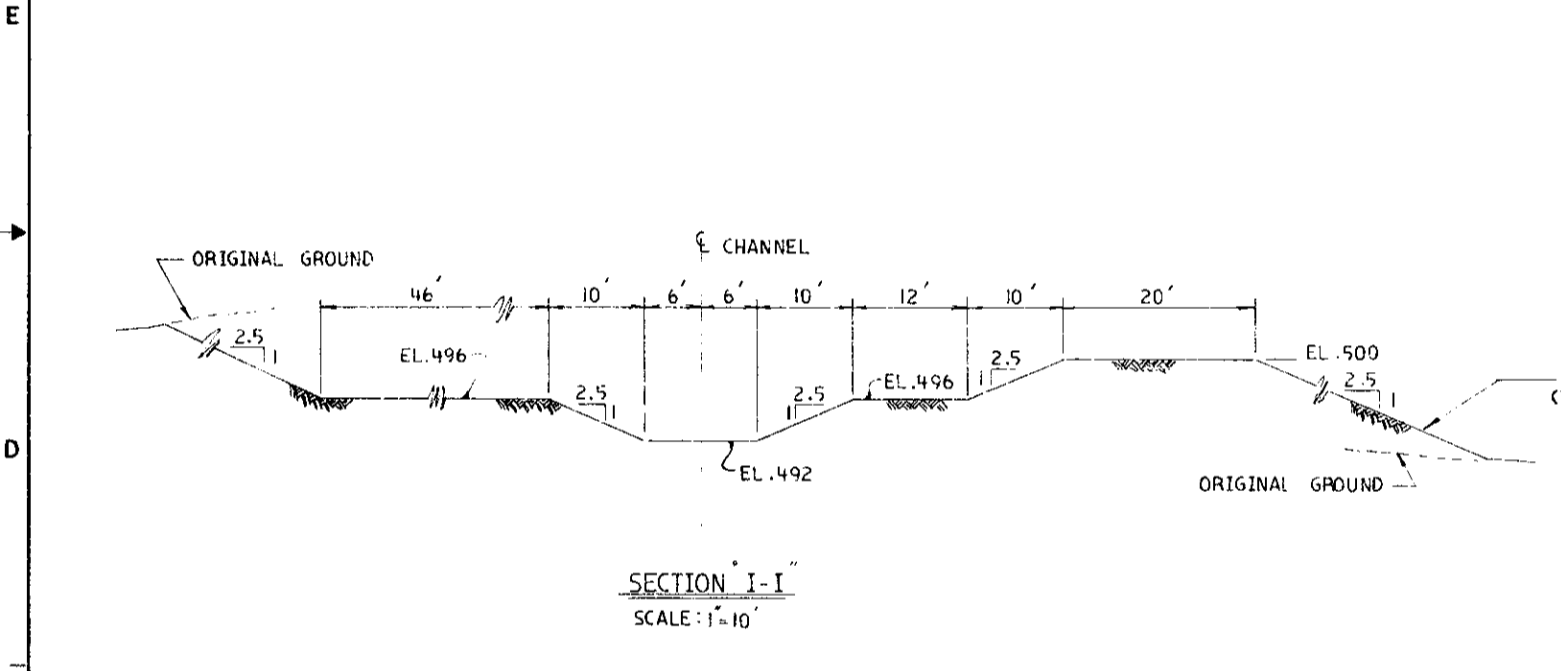
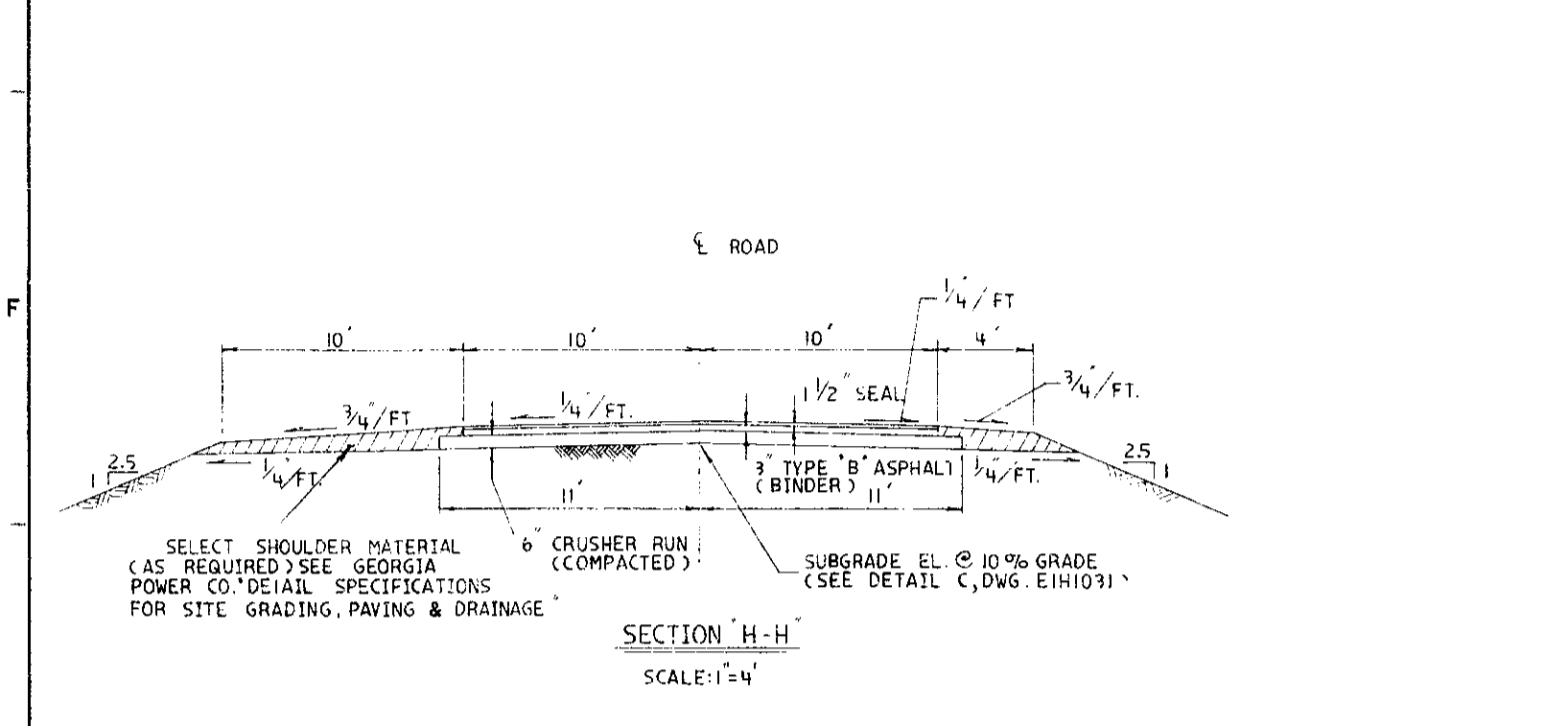
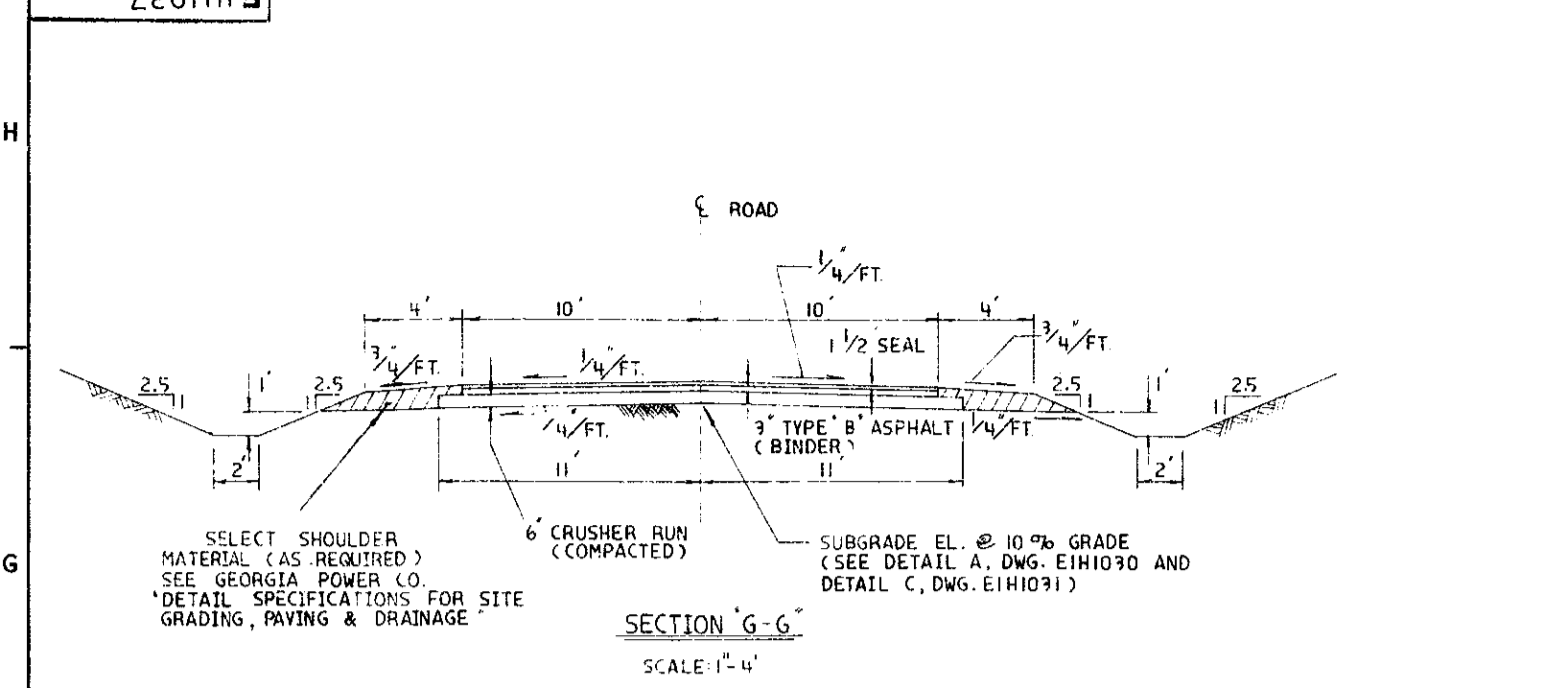
Southern Services, Inc.  
Georgia Power Company

PLANT SCHERER  
ASH DISPOSAL POND  
SPILLWAY & CONTROLLED DISCHARGE STRUCTURE  
EXCAVATION - SECTIONS

DESIGNED TOL. DRAWN BRYANT CHECKED MRA  
SCALE AS SHOWN CONTINUED ON SHEET

CLASSIFICATION DRAWING NUMBER SHEET REV  
SEE NOTE 10505 E1H1036 1



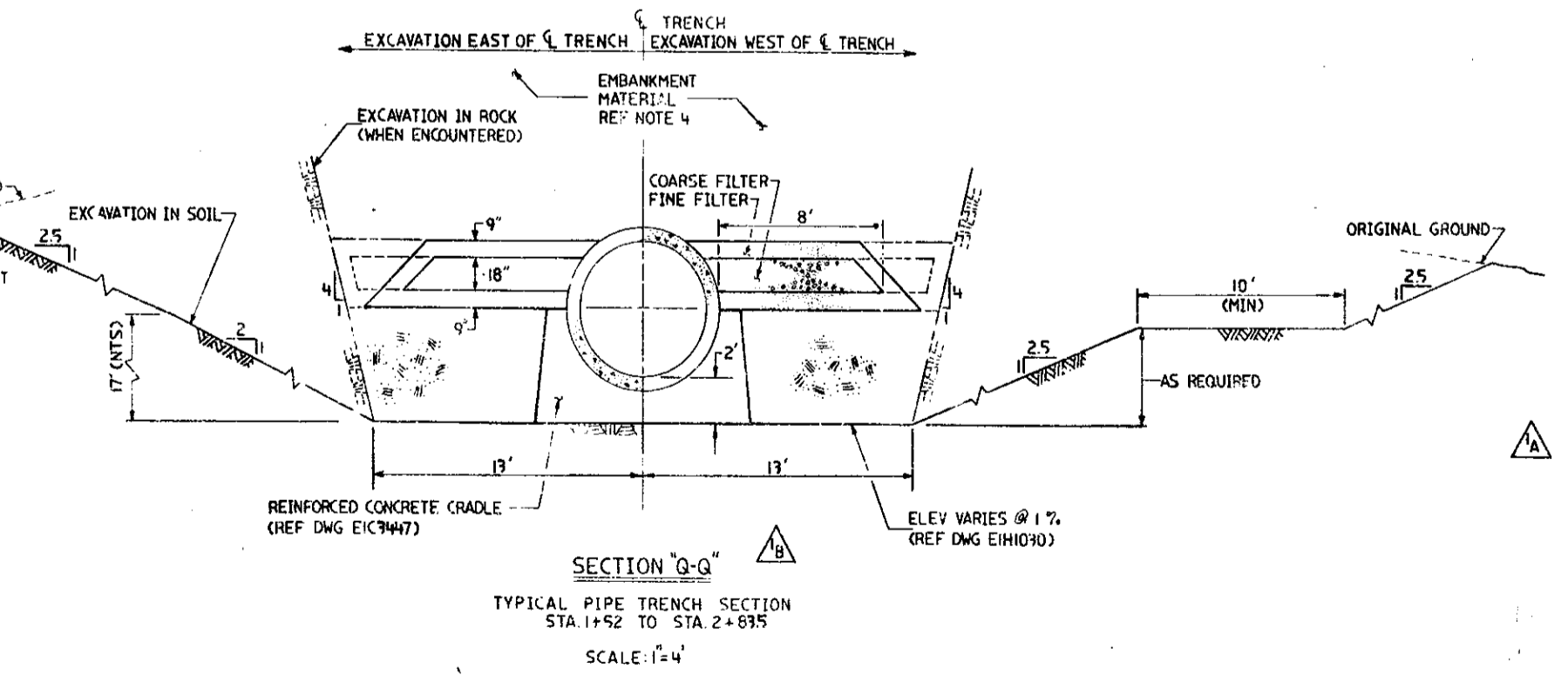
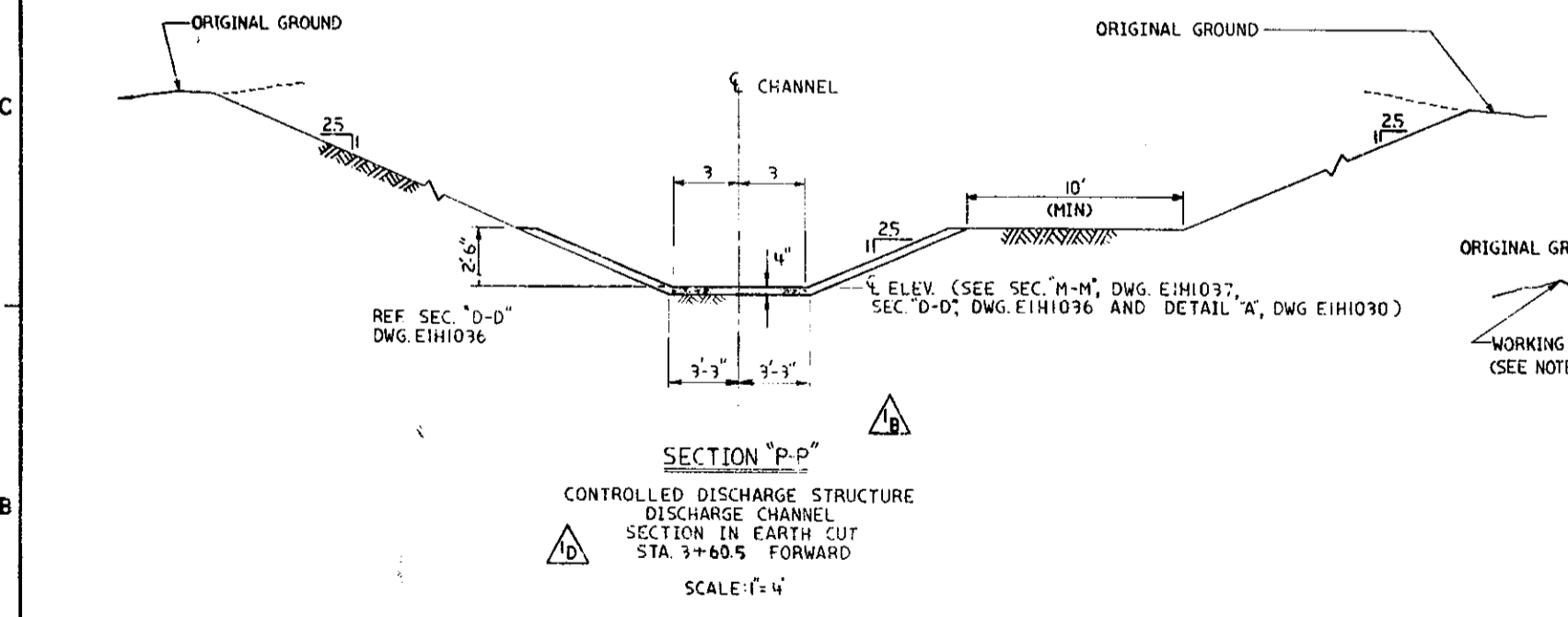
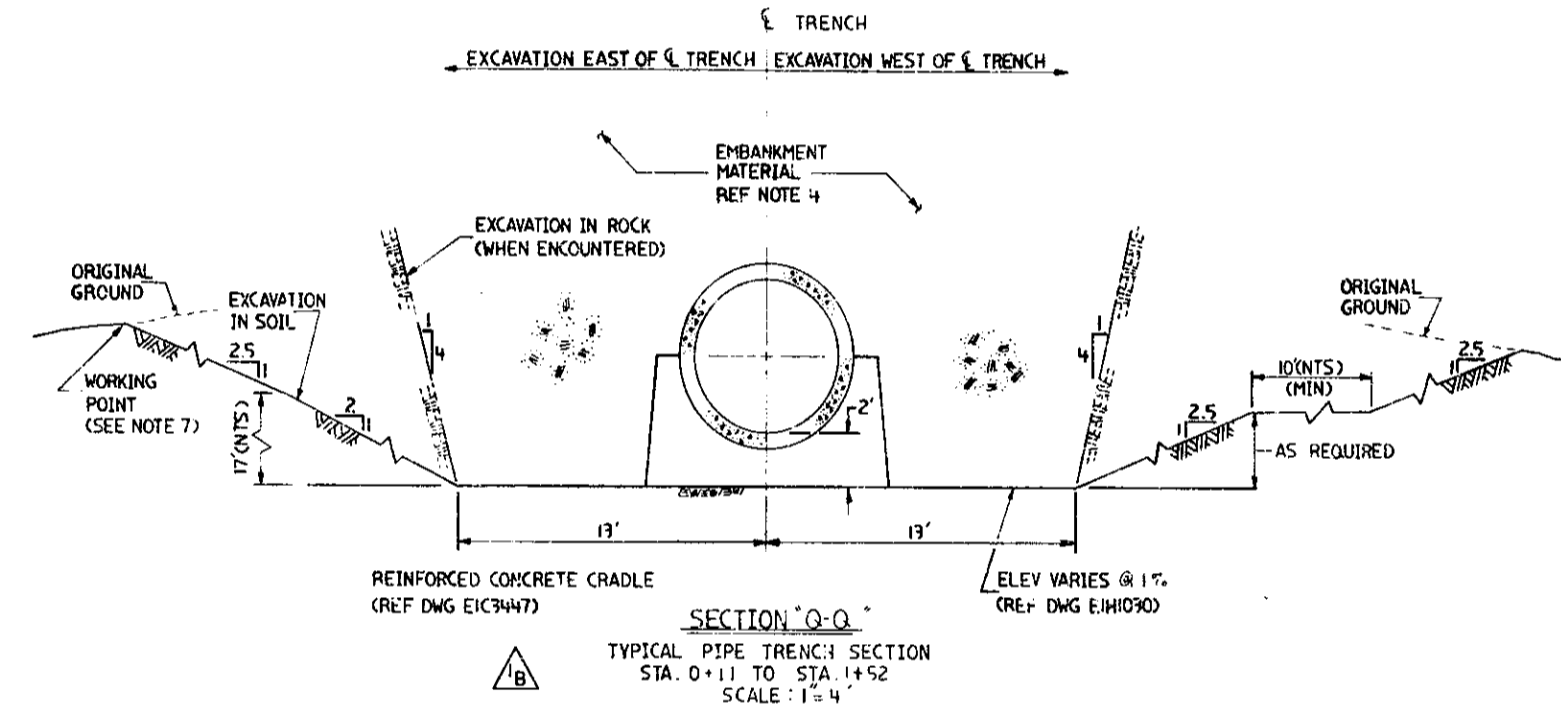
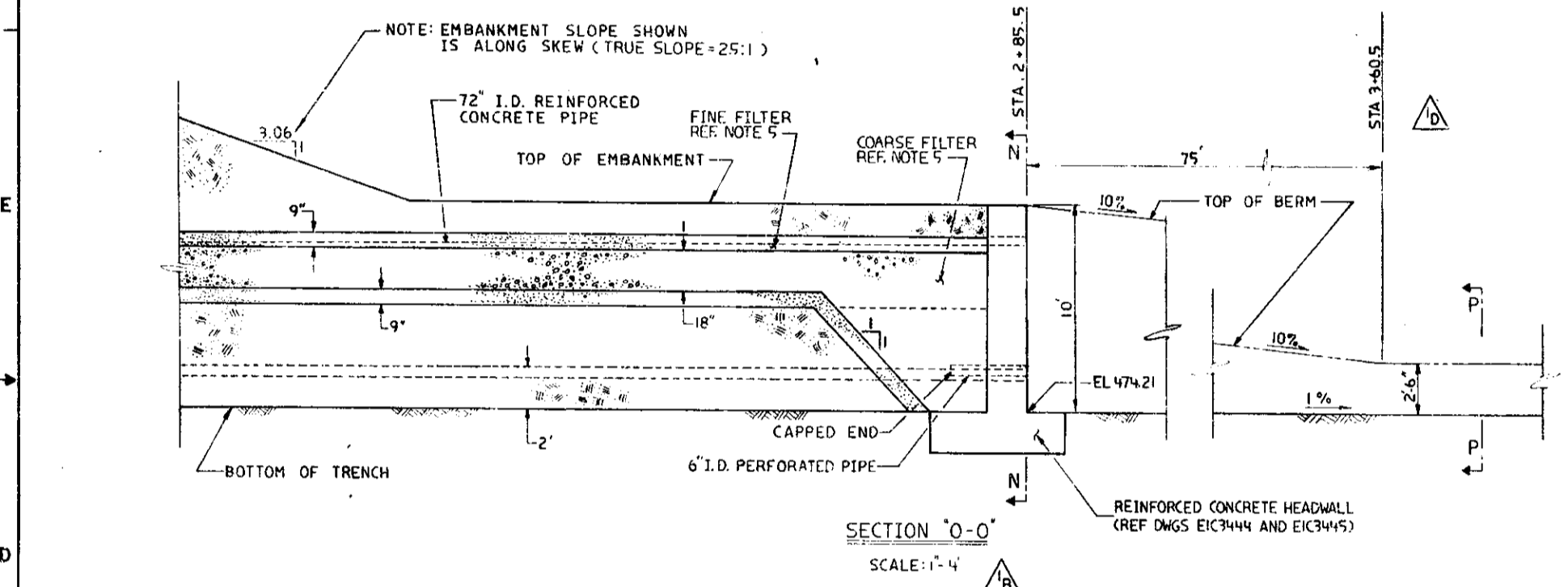
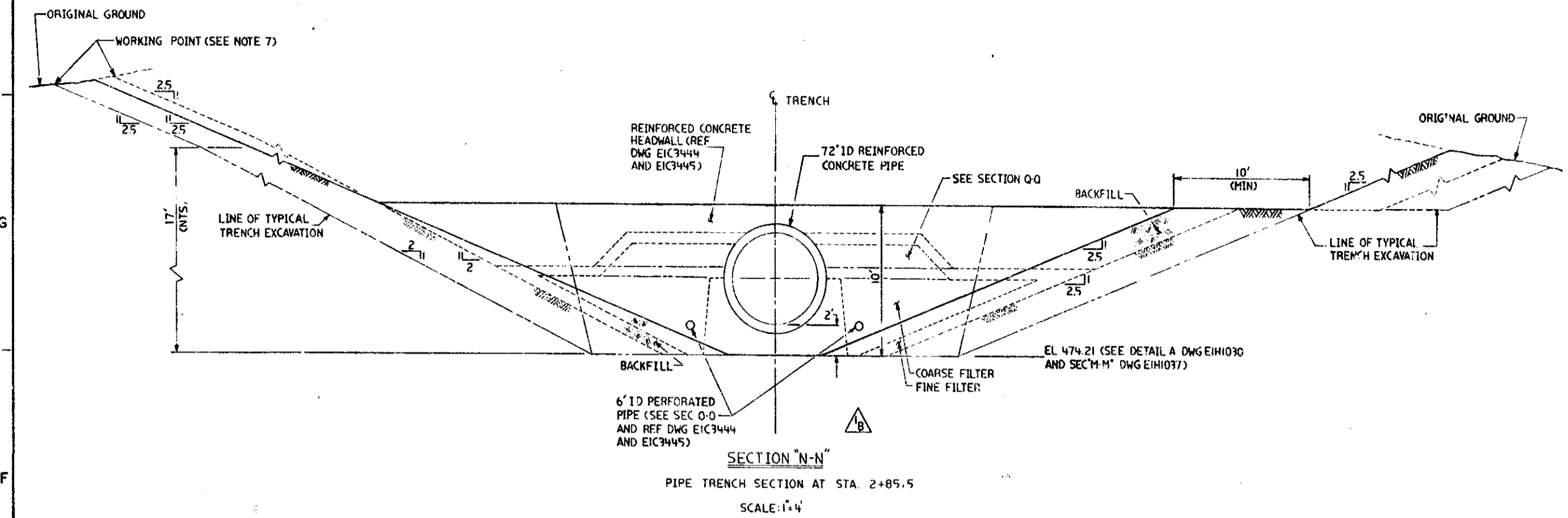


- NOTES:**
- FOR EXCAVATION DETAILS, REF DWG. EIH1030 ASH DISPOSAL POND SPILLWAY & CONTROLLED DISCHARGE STRUCTURE - EXCAVATION - PLAN & DETAILS AND DWG. EIH1036 ASH DISPOSAL POND SPILLWAY & CONTROLLED DISCHARGE STRUCTURE - EXCAVATION - SECTIONS.
  - FOR PLAN VIEW AND DETAILS REF DWG. EIH1031 ASH DISPOSAL POND SPILLWAY & CONTROLLED DISCHARGE STRUCTURE - ARRANGEMENT AND GRADING - PLAN & DETAILS.
  - EMBANKMENT SHALL BE CONSTRUCTED AS CLASS II EARTHFILL OF SILTY CLAY MATERIAL, AS COVERED IN THE PROJECT SPECIFICATIONS.
  - COARSE FILTER MATERIAL (GHD #89) AND FINE FILTER MATERIAL (GHD CONCRETE SAND) FOR THE DRAINS SHALL BE PLACED AND COMPACTED IN ACCORDANCE WITH THE PROJECT SPECIFICATIONS.
  - FOR BORE HOLE INFORMATION, REF DWG. EIH1039.

SAC NUMBER:  
176200 ASH POND SPILLWAY

- REFERENCES:**
- EIH1001 ASH DISPOSAL POND DAM GENERAL ARRANGEMENT
  - EIH1005 ASH DISPOSAL POND DAM -ALIGNMENT
  - EIH1030 ASH DISPOSAL POND - SPILLWAY & CONTROLLED DISCHARGE STRUCTURE EXCAVATION PLAN & DETAILS
  - EIH1031 ASH DISPOSAL POND - SPILLWAY & CONTROLLED DISCHARGE STRUCTURE - ARRANGEMENT & GRADING - PLAN & DETAILS
  - EIH1036 ASH DISPOSAL POND - SPILLWAY & CONTROLLED DISCHARGE STRUCTURE - EXCAVATION - SECTIONS
  - EIH1038 ASH DISPOSAL POND - SPILLWAY & CONTROLLED DISCHARGE STRUCTURE - ARRANGEMENT AND GRADING - SECTIONS
  - EIH1039 ASH DISPOSAL POND - SPILLWAY & CONTROLLED DISCHARGE STRUCTURE - BORE HOLE LOCATIONS
  - EIC3444 OUTDOOR CONC - ASH DISPOSAL POND SPILLWAY GENERAL ARRANGEMENT
  - EIC3445 OUTDOOR CONC - ASH DISPOSAL POND SPILLWAY NEATLINE & REINF SHEET 1
  - EIC3446 OUTDOOR CONC - ASH DISPOSAL POND SPILLWAY NEATLINE & REINF SHEET 2
  - EIC3447 OUTDOOR CONC - ASH DISPOSAL POND SPILLWAY NEATLINE & REINF SHEET 3

Southern Services, Inc.															
Georgia Power Company															
PLANT SCHERER															
ASH DISPOSAL POND - SPILLWAY & CONTROLLED DISCHARGE STRUCTURE - ARRANGEMENT AND GRADING - SECTIONS															
DESIGNED TDL				DRAWN H H W				CHECKED MRA				SCALE AS SHOWN			
BY	CHK'D	APPR'D	DATE	BY	CHK'D	APPR'D	DATE	BY	CHK'D	APPR'D	DATE	BY	CHK'D	APPR'D	DATE
8				7				6				5			
A. C4, REVISED SECTION B. B2, C3, REMOVED HOLDS C. C2, ADDED REFERENCE															
A. APPROVED ISSUED FOR COMMENT															
DESIGNER TDL DRAFTER H H W CHECKER MRA															
SEE NOTE 10505 EIH1037 1															



- NOTES:**
- FOR ARRANGEMENT OF STRUCTURES AND GRADING DETAILS REF DWG EIH1031, ASH DISPOSAL POND - SPILLWAY & CONTROLLED DISCHARGE STRUCTURE - ARRANGEMENT AND GRADING - PLAN & DETAILS"
  - FOR DETAILS OF EXCAVATION REF DWG. EIH1030, ASH DISPOSAL POND - SPILLWAY & CONTROLLED DISCHARGE STRUCTURE - EXCAVATION - PLAN & DETAILS" AND DWG. EIH1036, ASH DISPOSAL POND - SPILLWAY & CONTROLLED DISCHARGE STRUCTURE - EXCAVATION - SECTIONS"
  - SECTIONS ARE TAKEN LOOKING UPSTREAM
  - EMBANKMENT SHALL BE CONSTRUCTED AS CLASS II EARTH FILL OF CLAYEY SILT MATERIAL, AS COVERED IN THE PROJECT SPECIFICATIONS.
  - COARSE FILTER MATERIAL (GHD #9) AND FINE FILTER MATERIAL (GHD CONCRETE SAND) FOR THE DRAINS SHALL BE PLACED AND COMPACTED IN ACCORDANCE WITH THE PROJECT SPECIFICATIONS.
  - FOR BORE HOLE INFORMATION, REF DWG. EIH1039.
  - WORKING POINTS ARE LOCATED BASED UPON A 25:1 SLOPE TO GRADE ELEVATION, 4.5' EAST OF AND PARALLEL TO THE C.

SAC NUMBER: 176200 ASH POND SPILLWAY

- REFERENCES:**
- EIH1001 ASH DISPOSAL POND DAM - GENERAL ARRANGEMENT
  - EIH1005 ASH DISPOSAL POND DAM - ALIGNMENT
  - EIH1030 ASH DISPOSAL POND - SPILLWAY & CONTROLLED DISCHARGE STRUCTURE - EXCAVATION - PLAN & DETAILS
  - EIH1031 ASH DISPOSAL POND - SPILLWAY & CONTROLLED DISCHARGE STRUCTURE - ARRANGEMENT AND GRADING - PLAN & DETAILS
  - EIH1036 ASH DISPOSAL POND - SPILLWAY & CONTROLLED DISCHARGE STRUCTURE - EXCAVATION - SECTIONS
  - EIH1037 ASH DISPOSAL POND - SPILLWAY & CONTROLLED DISCHARGE STRUCTURE - ARRANGEMENT AND GRADING - SECTIONS
  - EIH1039 ASH DISPOSAL POND - SPILLWAY & CONTROLLED DISCHARGE STRUCTURE - BORE HOLE LOCATIONS
  - EIC3444 OUTDOOR CONC. ASH DISPOSAL POND SPILLWAY - GENERAL ARRANGEMENT
  - EIC3445 OUTDOOR CONC. ASH DISPOSAL POND SPILLWAY NEATLINE & REINF. SHEET 1
  - EIC3446 OUTDOOR CONC. ASH DISPOSAL POND SPILLWAY - NEATLINE & REINF. SHEET 2
  - EIC3447 OUTDOOR CONC. ASH DISPOSAL POND SPILLWAY NEATLINE & REINF. SHEET 3

REVISION	DATE	REVISION	DATE	REVISION	DATE	REVISION	DATE	REVISION	DATE
REVISION 2	DATE 1-21-82	REVISION 1	DATE 1-17-80	REVISION 0	DATE 9-9-77	REVISION A	DATE 8-19-77		
A. 2G, REVISED NOTE 5 FROM COARSE FILTER MATERIAL GHD#89 TO GHD#8, AS PER CR NO. 14.		A. B2, ADDED REFERENCES		A. APPROVED		ISSUED FOR COMMENT			
B. 2G, REVISED NOTE 4 FROM SILTY CLAY MATERIAL TO CLAYEY SILT MATERIAL AS PER CR NO. 140.		B. F6, D6, B7, D3, B1, REVISED SECTIONS							
		C. G2, ADDED NOTE 7							
		D. F6, B7, REMOVED HOLDS							

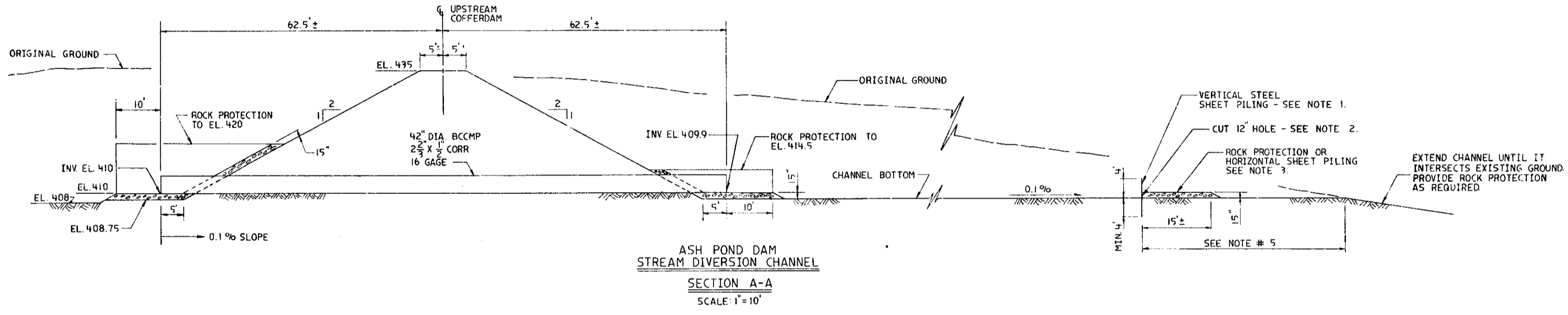
**Southern Services, Inc.**  
**Georgia Power Company**  
 PLANT SCHERER  
 ASH DISPOSAL POND  
 SPILLWAY & CONTROLLED DISCHARGE STRUCTURE  
 ARRANGEMENT AND GRADING - SECTIONS

DESIGNED: TDJ DRAWN: CC CHECKED: MRA  
 SCALE AS SHOWN CONTINUED ON SHEET  
 SEE NOTE 10505 EIH1038 SHEET 2

EIHI052

NOTES:

1. VERTICAL STEEL INTERLOCKING SHEET PILING TO BE DRIVEN ENTIRE WIDTH OF CHANNEL (BOTTOM & SIDES).
2. CUT 12" DIAMETER HOLE IN SHEET PILING WITH BOTTOM OF HOLE 3" ABOVE BOTTOM OF CHANNEL.
3. ROCK PROTECTION OR HORIZONTAL SHEET PILING:  
A. ROCK PROTECTION SHALL BE AS SPECIFIED IN NOTE 4.  
B. INTERLOCKED SHEET PILING TO BE LAYED HORIZONTALLY ON BOTTOM OF CHANNEL & AGAINST CHANNEL SIDES (UP TO 2' ABOVE CHANNEL BOTTOM). HORIZONTAL SHEET PILING TO BE SPOT WELDED AT UPSTREAM END TO VERTICAL SHEET PILING.
4. ALL ROCK PROTECTION SHOWN ON THIS DRAWING SHALL BE 6" IN DIAMETER WITH AVERAGE SIZE OF 10". ALL ROCK PROTECTION THICKNESSES SHALL BE 15" MEASURED PERPENDICULAR TO SURFACE AGAINST WHICH IT IS PLACED. AN UNDERLYING BEDDING LAYER IS OPTIONAL.
5. VERTICAL STEEL SHEET PILING TO BE LOCATED AS FAR DOWNSTREAM AS POSSIBLE WHILE PROVIDING NOT LESS THAN 4' OF CHANNEL FREEBOARD ABOVE THE TOP OF THE VERTICAL PILING (SECTION 'A-A', ONLY).
6. DIMENSIONS & SLOPES OF TRANSVERSE DAM SECTIONS ARE SHOWN AT THEIR TRUE (ALONG THE SKEW) VALUES.



SAC NUMBERS:  
11100 ASH POND CLEARING  
11300 ASH POND EAST DIKE  
11500 ASH POND RIPRAP

REFERENCES:

EIHI022 ASH DISPOSAL POND DAM - STREAM DIVERSION PLAN

REVISION	DATE	REVISION	DATE	REVISION	DATE	REVISION	DATE	REVISION	DATE	REVISION	DATE	REVISION	DATE	REVISION	DATE	REVISION	DATE	REVISION	DATE	

Southern Company Services, Inc.  
A subsidiary of  
**Georgia Power Company**

PLANT SCHERER  
STREAM DISPOSAL POND DAM  
STREAM DIVERSION  
SECTION AND DETAILS

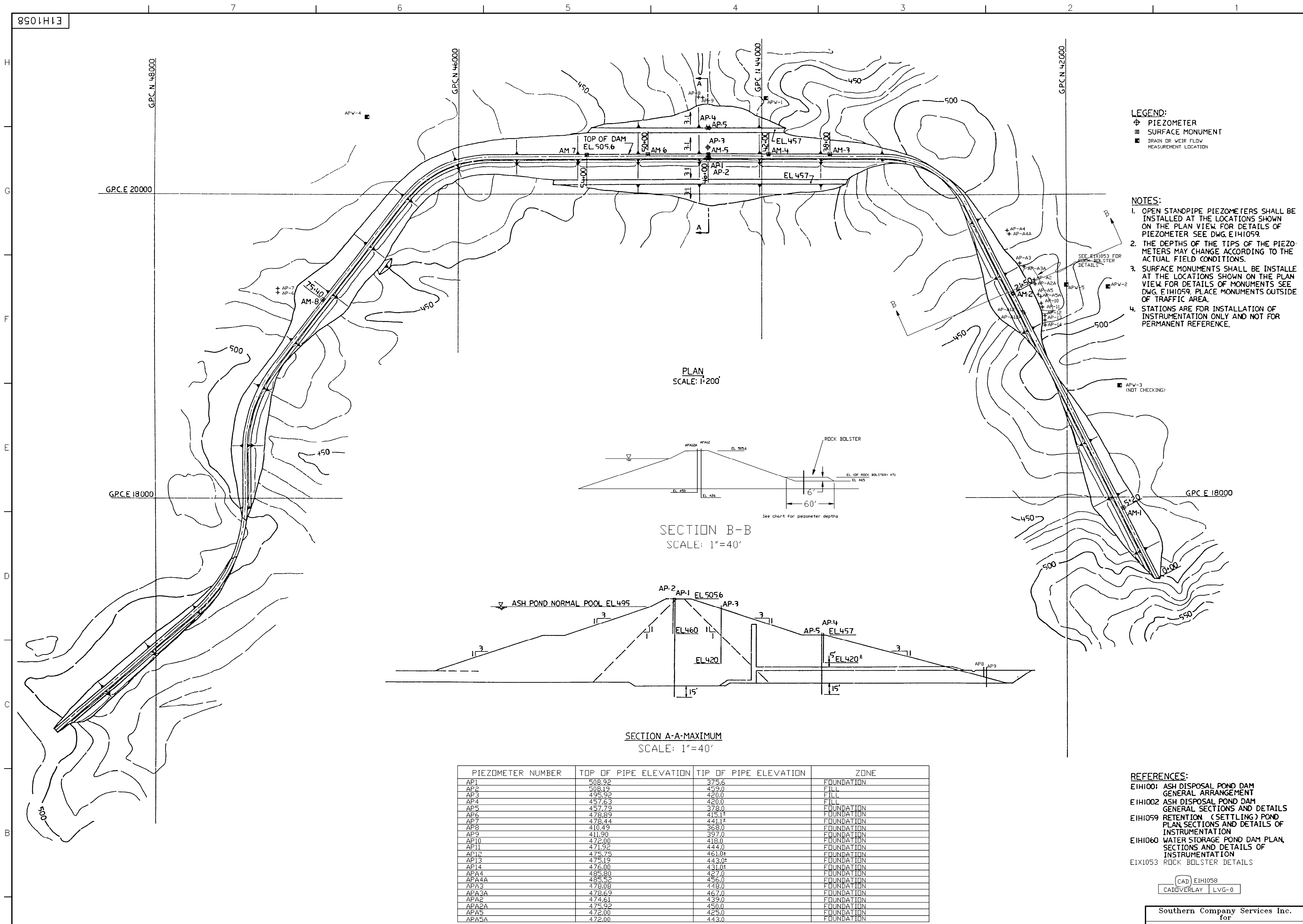
DESIGNED: M.L.G. DRAWN: C.C. CHECKED: M.L.G.

SCALE: 1"=10' SAC NO: 10505 PROJECT I.D.: EIHI052 DRAWING NUMBER: 0

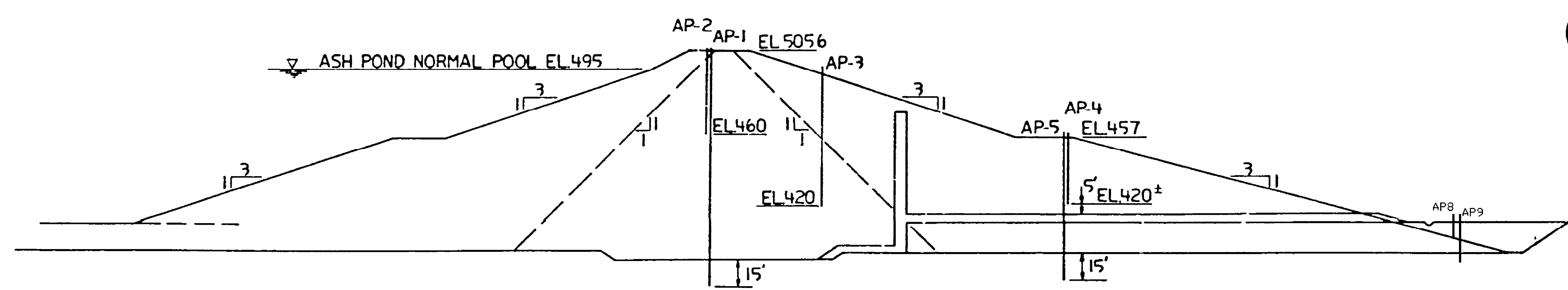
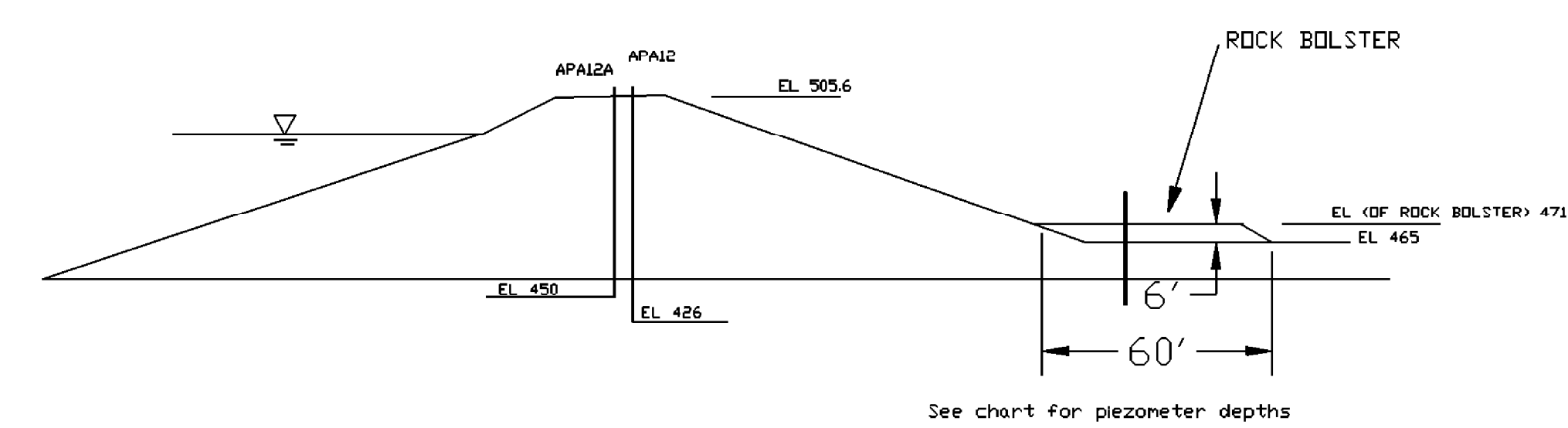
DATE: 10-12-78

REVISION 0

A. APPROVED  
THIS DRAWING SUPERSEDED  
DRAWING NUMBER EIHI027, SHEET 1  
OF 1, REV. 0 DATED 3-28-77



- LEGEND:**
- ⊕ PIEZOMETER
  - SURFACE MONUMENT
  - ▣ DRAIN OR WEIR FLOW MEASUREMENT LOCATION
- NOTES:**
1. OPEN STANDPIPE PIEZOMETERS SHALL BE INSTALLED AT THE LOCATIONS SHOWN ON THE PLAN VIEW FOR DETAILS OF PIEZOMETER SEE DWG. E1H1059.
  2. THE DEPTHS OF THE TIPS OF THE PIEZOMETERS MAY CHANGE ACCORDING TO THE ACTUAL FIELD CONDITIONS.
  3. SURFACE MONUMENTS SHALL BE INSTALLED AT THE LOCATIONS SHOWN ON THE PLAN VIEW FOR DETAILS OF MONUMENTS SEE DWG. E1H1059. PLACE MONUMENTS OUTSIDE OF TRAFFIC AREA.
  4. STATIONS ARE FOR INSTALLATION OF INSTRUMENTATION ONLY AND NOT FOR PERMANENT REFERENCE.



PIEZOMETER NUMBER	TOP OF PIPE ELEVATION	TIP OF PIPE ELEVATION	ZONE
AP1	508.92	375.6	FOUNDATION
AP2	508.19	459.0	FILL
AP3	495.92	420.0	FILL
AP4	457.63	420.0	FILL
AP5	457.79	378.0	FOUNDATION
AP6	478.89	415.1	FOUNDATION
AP7	478.44	441.1±	FOUNDATION
AP8	410.49	368.0	FOUNDATION
AP9	411.90	397.0	FOUNDATION
AP10	472.00	418.0	FOUNDATION
AP11	471.92	444.0	FOUNDATION
AP12	475.75	461.0±	FOUNDATION
AP13	475.19	443.0±	FOUNDATION
AP14	476.00	431.0±	FOUNDATION
APA4	485.80	427.0	FOUNDATION
APA4A	485.52	456.0	FOUNDATION
APA3	478.08	448.0	FOUNDATION
APA3A	478.69	467.0	FOUNDATION
APA2	474.61	439.0	FOUNDATION
APA2A	475.92	450.0	FOUNDATION
APA5	472.00	425.0	FOUNDATION
APA5A	472.00	443.0	FOUNDATION

- REFERENCES:**
- E1H1001 ASH DISPOSAL POND DAM GENERAL ARRANGEMENT
  - E1H1002 ASH DISPOSAL POND DAM GENERAL SECTIONS AND DETAILS
  - E1H1059 RETENTION (SETTLING) POND PLAN, SECTIONS AND DETAILS OF INSTRUMENTATION
  - E1H1060 WATER STORAGE POND DAM PLAN, SECTIONS AND DETAILS OF INSTRUMENTATION
  - E1X1053 ROCK BOLSTER DETAILS

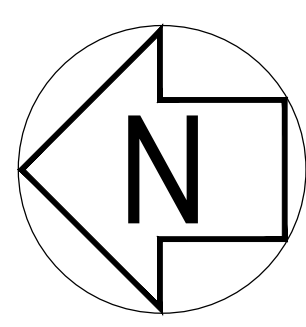
(CAD) E1H1058  
CADD/overlay LVG-0

Southern Company Services Inc.  
for  
**GEORGIA POWER COMPANY**

PLANT SCHERER  
ASH DISPOSAL POND DAM  
PLAN, SECTIONS AND DETAILS  
OF INSTRUMENTATION

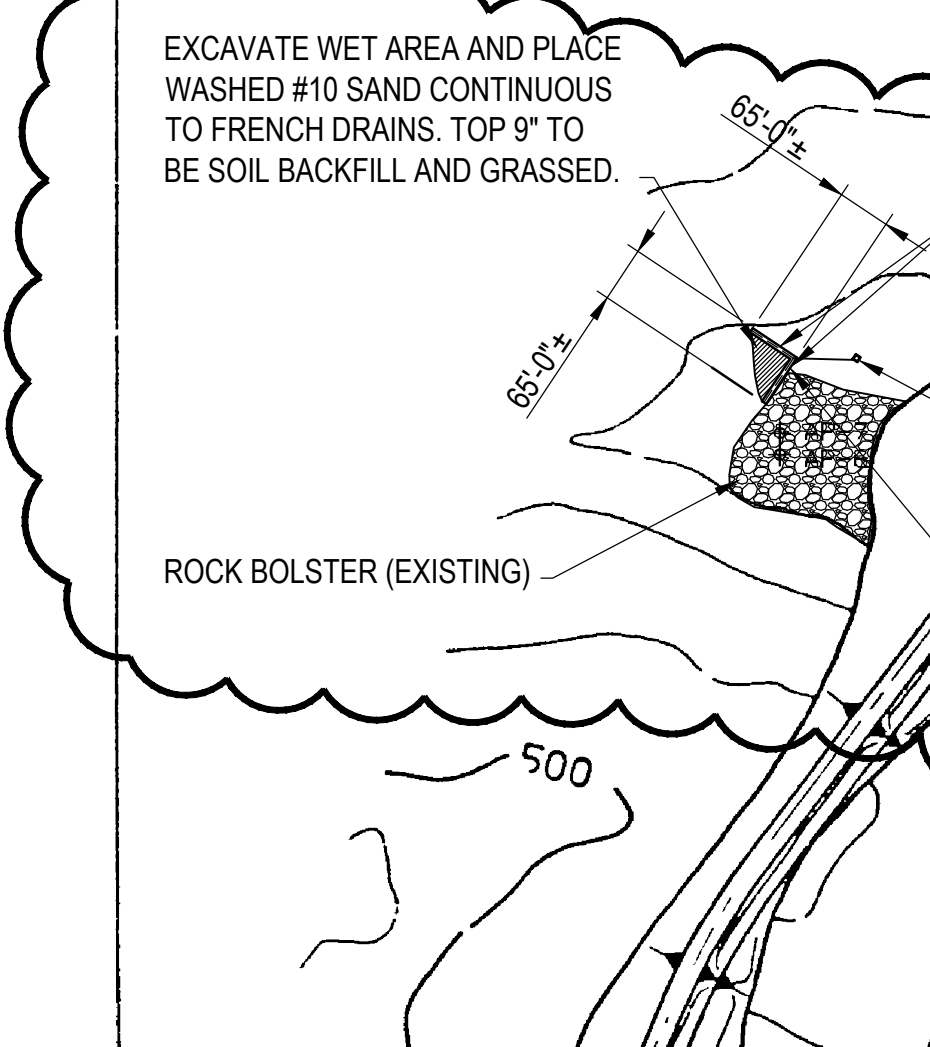
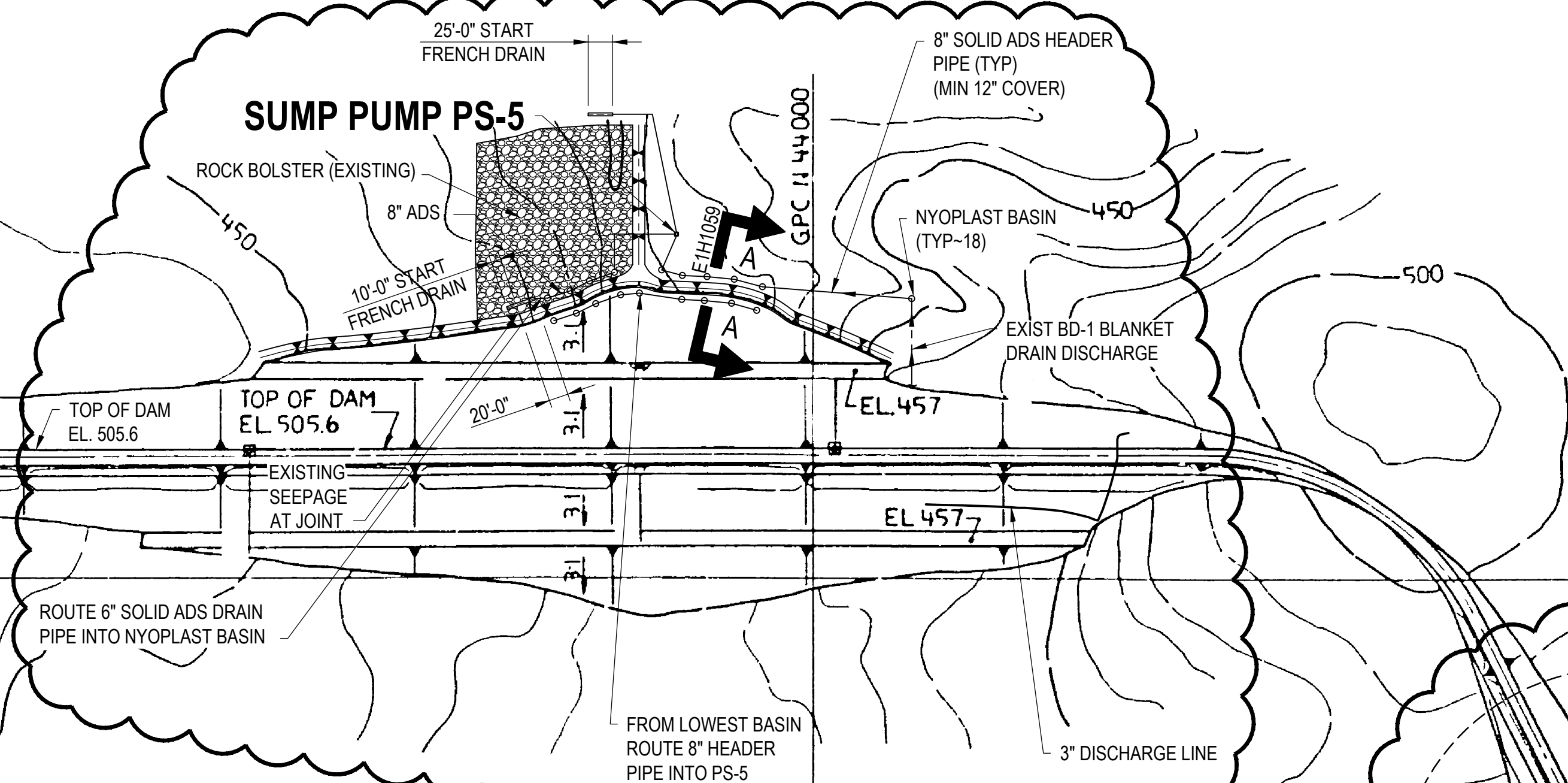
REVISION	DATE	REVISION	DATE	REVISION	DATE	REVISION	DATE	REVISION	DATE	REVISION	DATE	REVISION	DATE
										REVISION 1	DATE 4-13-95	REVISION 0	DATE 4-8-80
BY	CHK'D	APPR.1	APPR.2	APPR.3	APPR.4	APPR.5	BY	CHK'D	APPR.1	APPR.2	APPR.3	APPR.4	APPR.5

DESIGNED	DRAWN	CHECKED	
BEW	BJB	RDP	
SCALE	LOCATION	DRAWING NUMBER	REV.
AS SHOWN	10-505	E1H1058	1



GPC N 46000  
GPC E 20000  
GPC E 18000

### SUMP PUMP PS-5

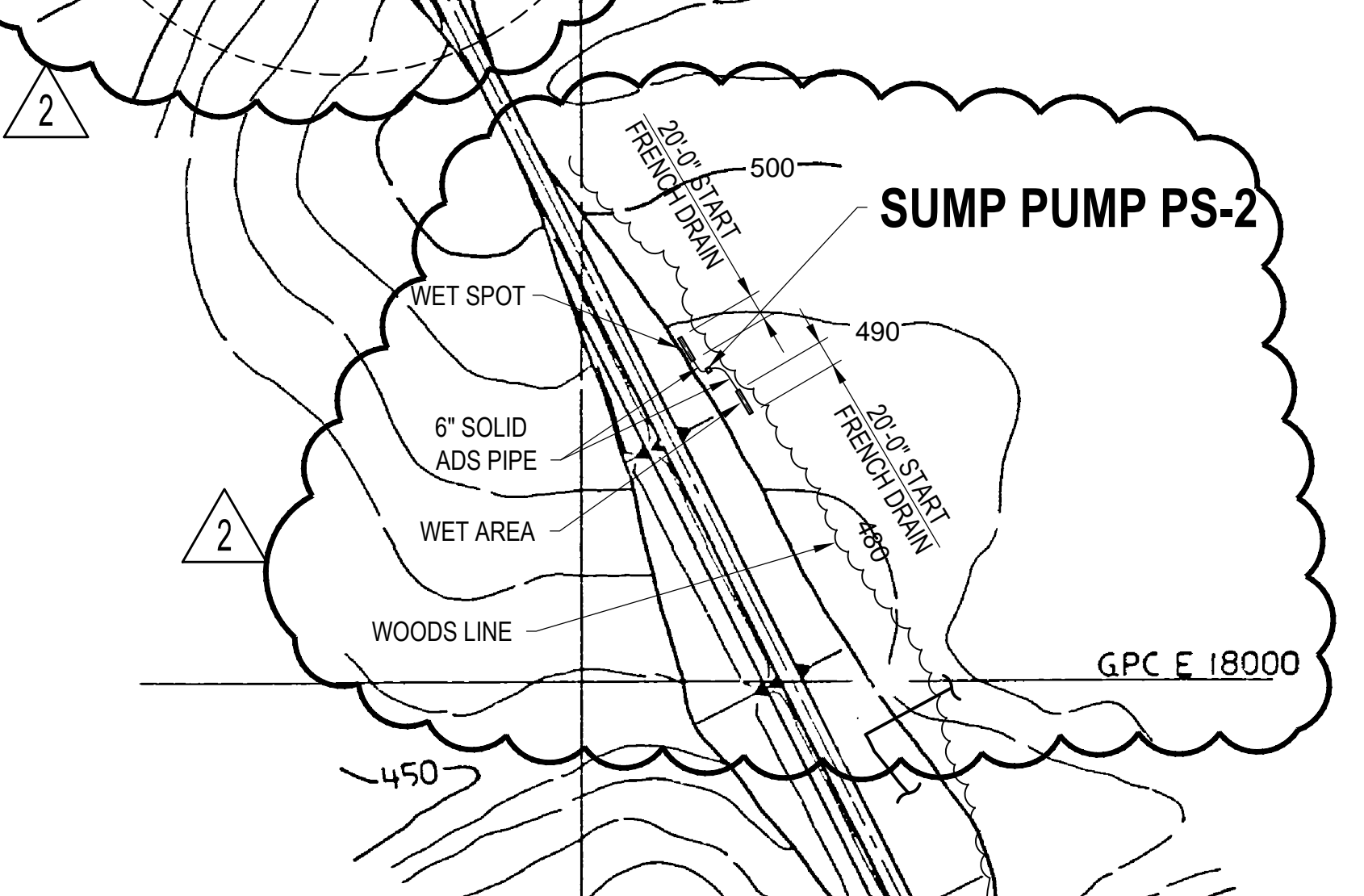


### NEW SUMP PUMP PS-6

TEE FRENCH DRAIN PIPES INTO ONE SOLID ADS 6\"/>

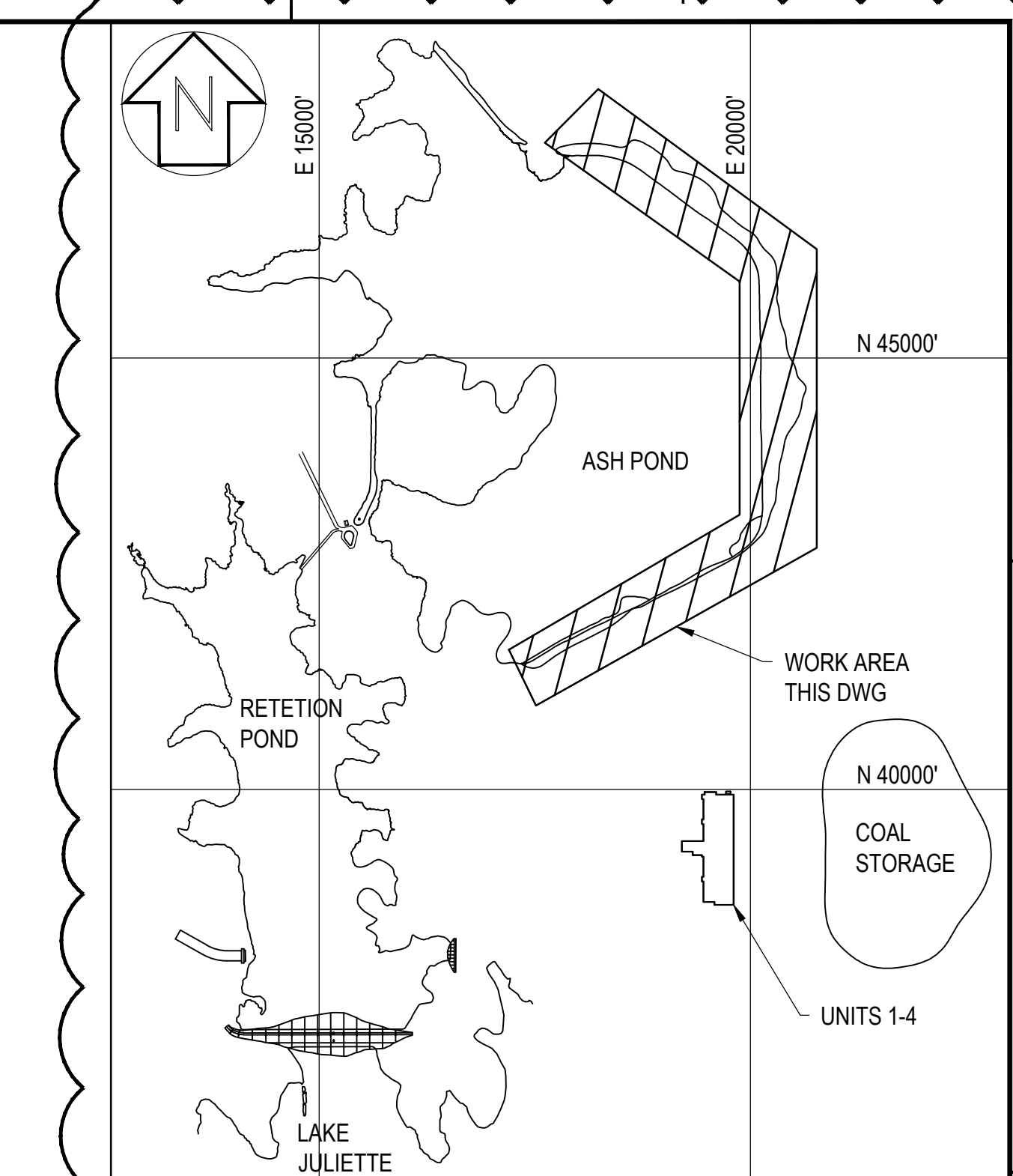
GPC N 42000

### SUMP PUMP PS-2

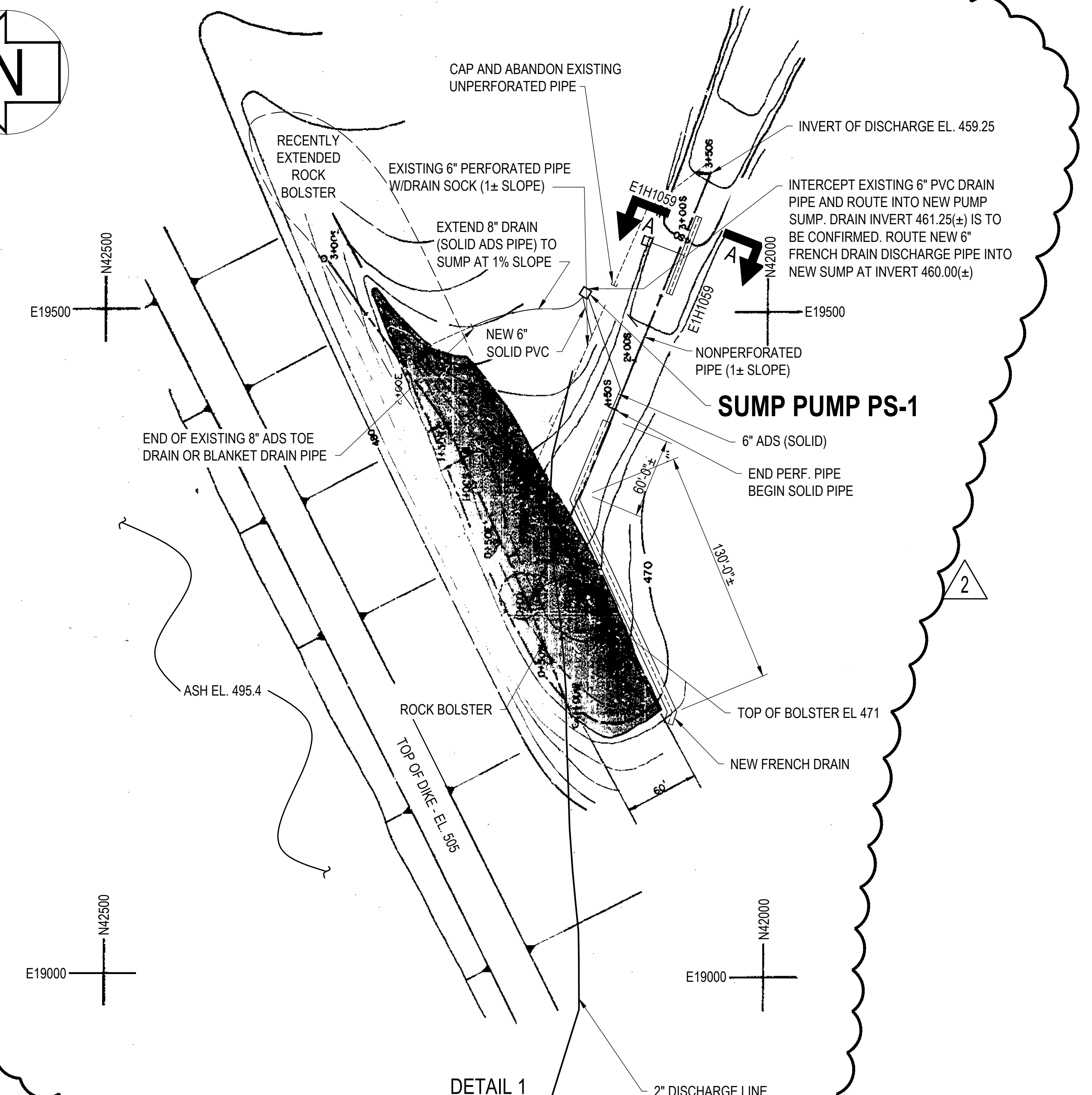
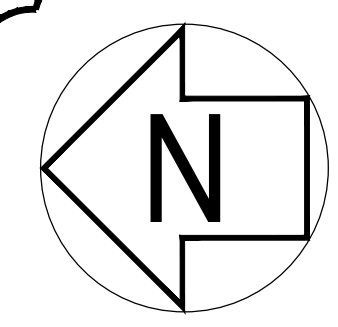


GPC E 18000

PLAN  
SCALE: 1\"/>

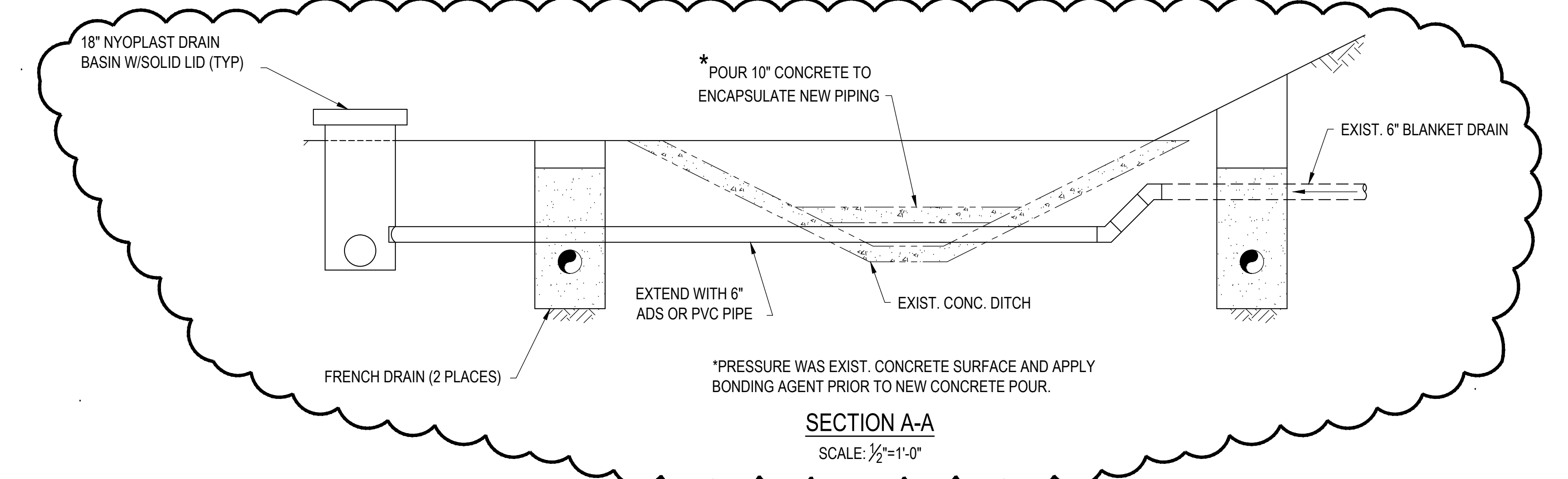


KEY PLAN



### SUMP PUMP PS-1

DETAIL 1  
SCALE: 1\"/>



SECTION A-A  
SCALE: 1/2\"/>

WORK THIS DRAWING WITH E1H1059

REVISION	DATE	REVISION	DATE	REVISION	DATE	REVISION	DATE	REVISION	DATE	REVISION	DATE	REVISION	DATE	REVISION	DATE

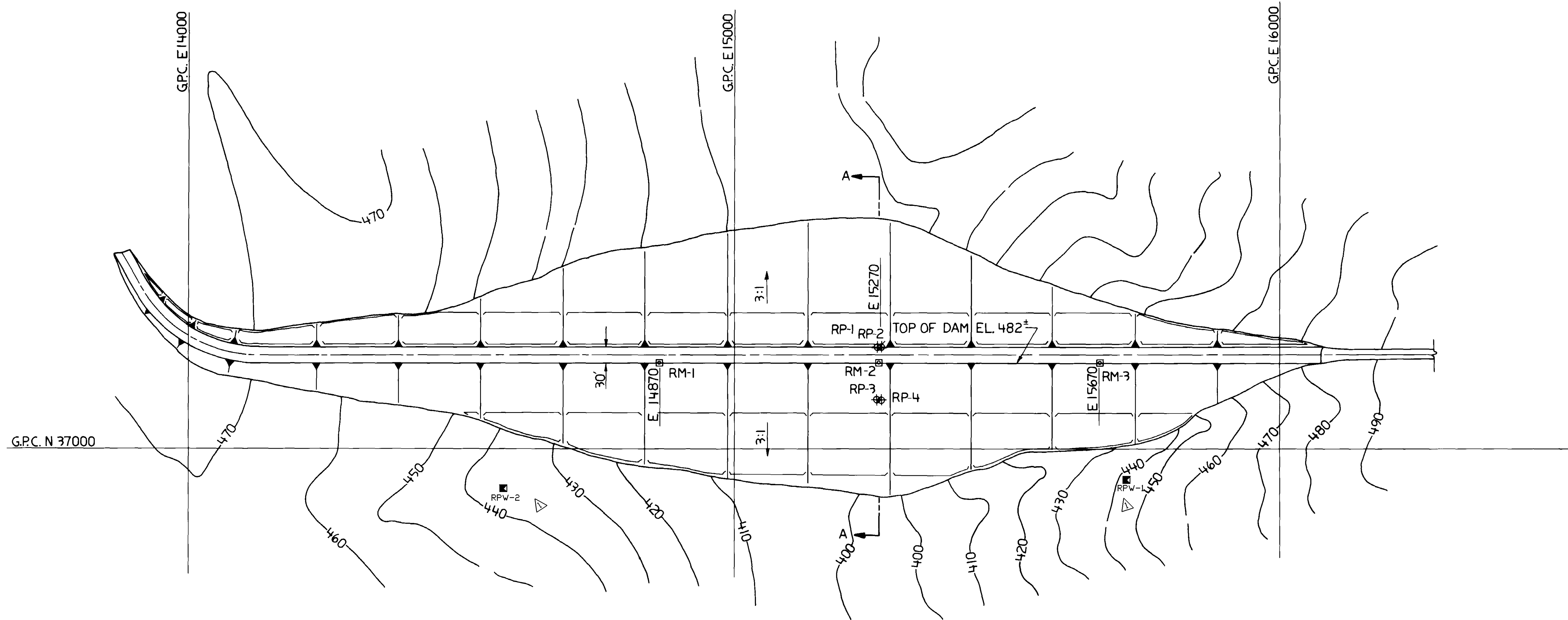
AS-BUILT ADDED LEAK DETECTION SUMPS REMOVED NOTES & LEGEND REVISED REFERENCE NOTES & TITLE ADDED DETAIL 1 FROM E1X1053, SECTION A-A & KEY PLAN REMOVED PIPE ELEVATIONS, SCHEDULE & PROFILES MWO: GPC485061 PROJ ID: SCH15000	SCHERER AS-BUILTS	FOR APPROVALS SEE EDRF 9504015	REVISION 2 DATE 12/11/15	REVISION 1 DATE 4/13/95	REVISION 0 DATE 4/8/80												
BY: GSW	CHKD: DEW	DRAWN: RSN	ELECT APPR: X	MECH APPR: X	DISC MGR: X	BY: LVG	CHKD: HAF	DRAWN: RDP	ELECT APPR: RMF	MECH APPR: FCJ	DISC MGR: JFG	BY: BJB	CHKD: RDP	DRAWN: RMF	ELECT APPR: FCJ	MECH APPR: JFG	DISC MGR: JFG

**Southern Company Generation  
Engineering and Construction Services  
FOR**

**Georgia Power Company**

**PLANT SCHERER  
ASH POND LEAK COLLECTION SYSTEM  
MAIN DAM PLAN**

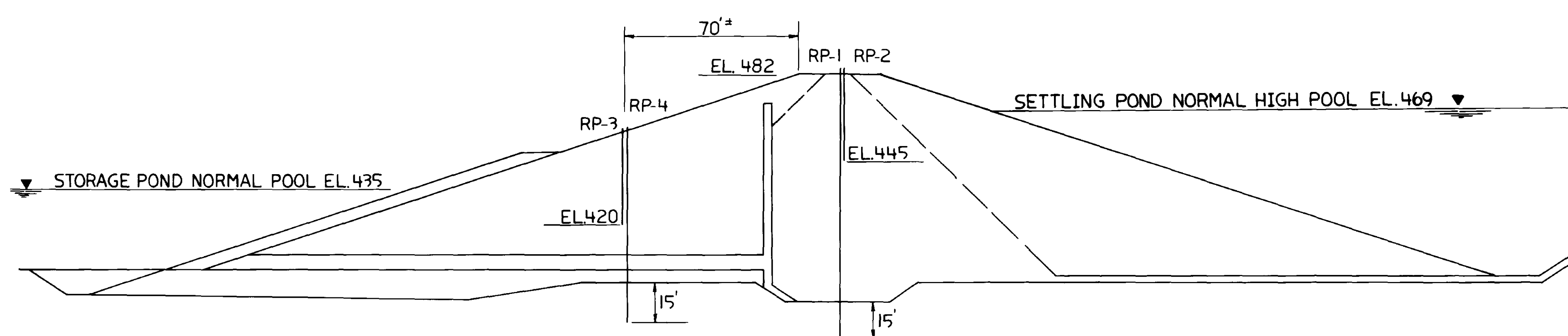
SCALE: NONE  
DRAWING NUMBER: **E1H1058**  
SHEET: 1  
CONTS: FINAL  
REV: 2



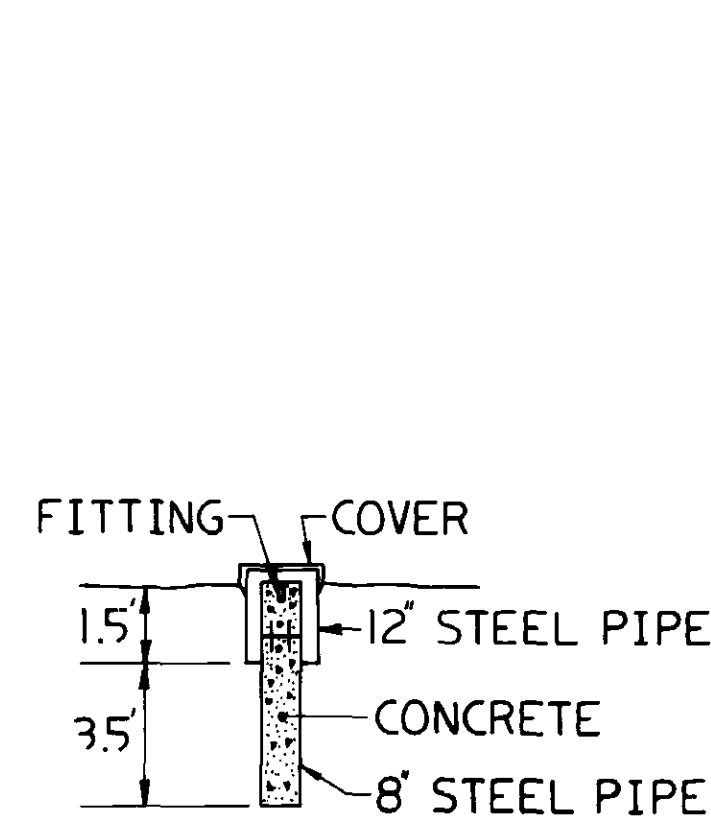
PLAN  
SCALE: 1"=100'

- LEGEND:**
- ⊕ PIEZOMETER
  - ⊗ SURFACE MONUMENT
  - DRAIN FLOW MEASUREMENT

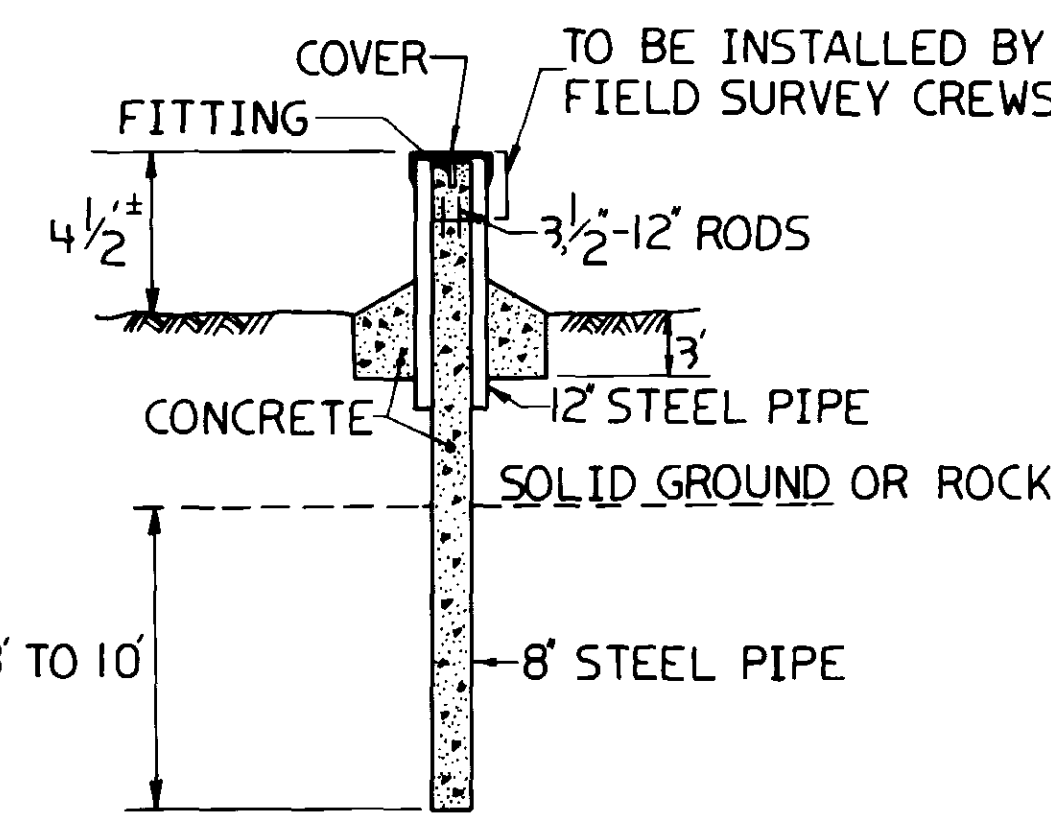
- NOTES:**
1. OPEN STANDPIPE PIEZOMETERS AND SURFACE MONUMENTS SHALL BE INSTALLED AT THE LOCATIONS SHOWN ON THE PLAN VIEW.
  2. THE FITTING FOR THE MONUMENTS IS A ONE INCH SELF CENTERING PLUG THAT IS THREADED FOR THE ATTACHMENT OF A FLUSH MOUNTING PLATE. THE PLATE PROVIDES PRECISE INTERCHANGEABILITY OF INSTRUMENTS ON THE PILLAR SUCH AS THEODOLITES, TARGETS, OPTICAL PLUMMETS AND DISTANCE MEASURING EQUIPMENT.
  3. CONTROL MONUMENTS SHOULD BE LOCATED BY FIELD FORCES IN NATURAL GROUND OR ROCK SUFFICIENTLY AWAY FROM THE INFLUENCE OF THE RESERVOIRS AND EXISTING STRUCTURES.
  4. THE FIELD FORCES ARE TO OBTAIN THE MATERIALS FOR THE MONUMENTS AND PIEZOMETERS.



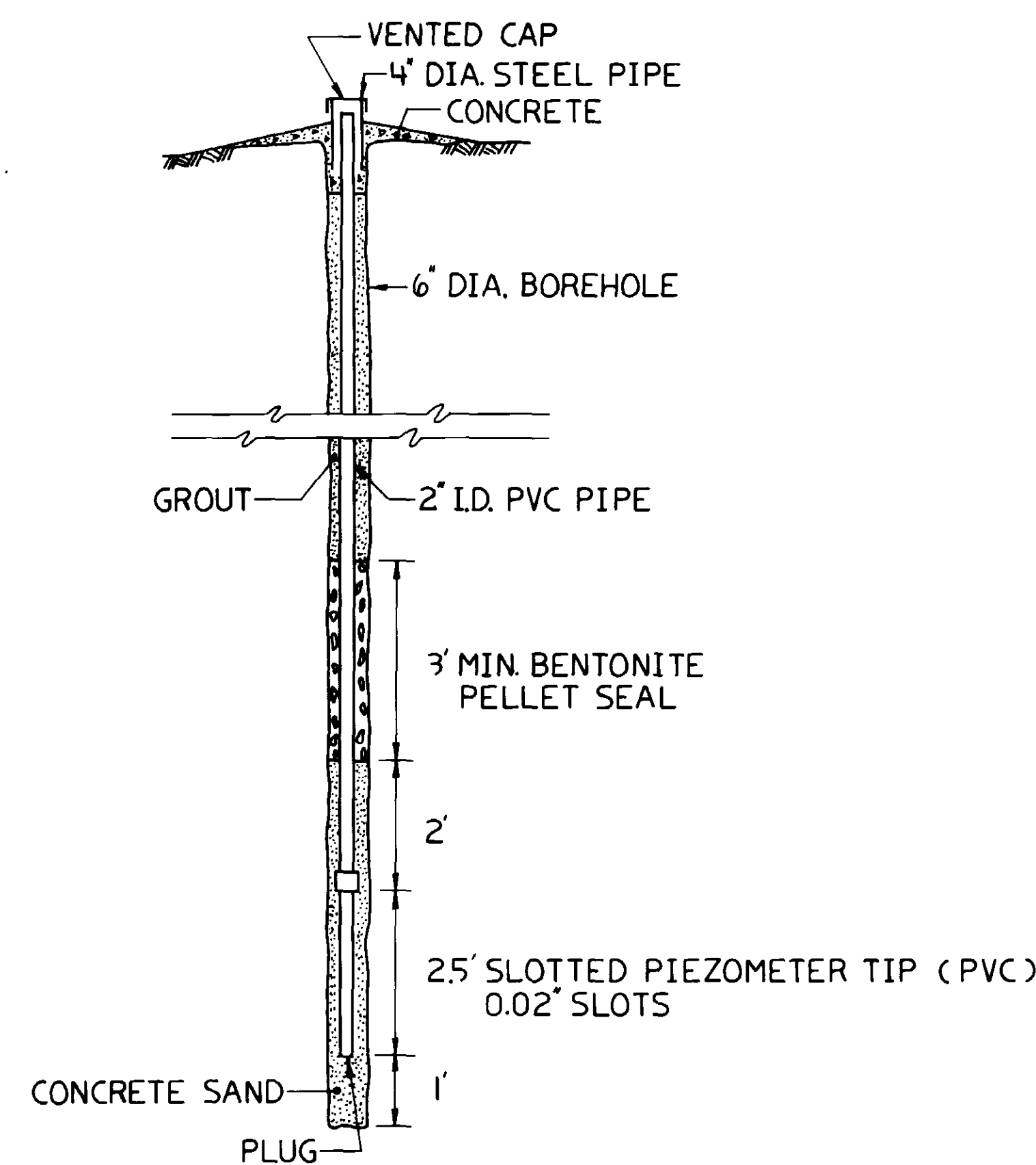
SECTION A-A MAXIMUM  
SCALE: 1"=30'



SURFACE MONUMENT  
NO SCALE



CONTROL MONUMENT (COLUMN)  
NO SCALE



OPEN STANDPIPE PIEZOMETER  
SCALE: 1"=2'

- REFERENCES:**
- EIH1004 RETENTION (SETTLING) POND DAM SECTIONS AND DETAILS
  - EIH1014 RETENTION (SETTLING) POND DAM GENERAL ARRANGEMENT
  - EIH1058 ASH DISPOSAL POND DAM PLAN, SECTIONS AND DETAILS OF INSTRUMENTATION
  - EIH1060 WATER STORAGE POND DAM PLAN, SECTIONS AND DETAILS OF INSTRUMENTATION

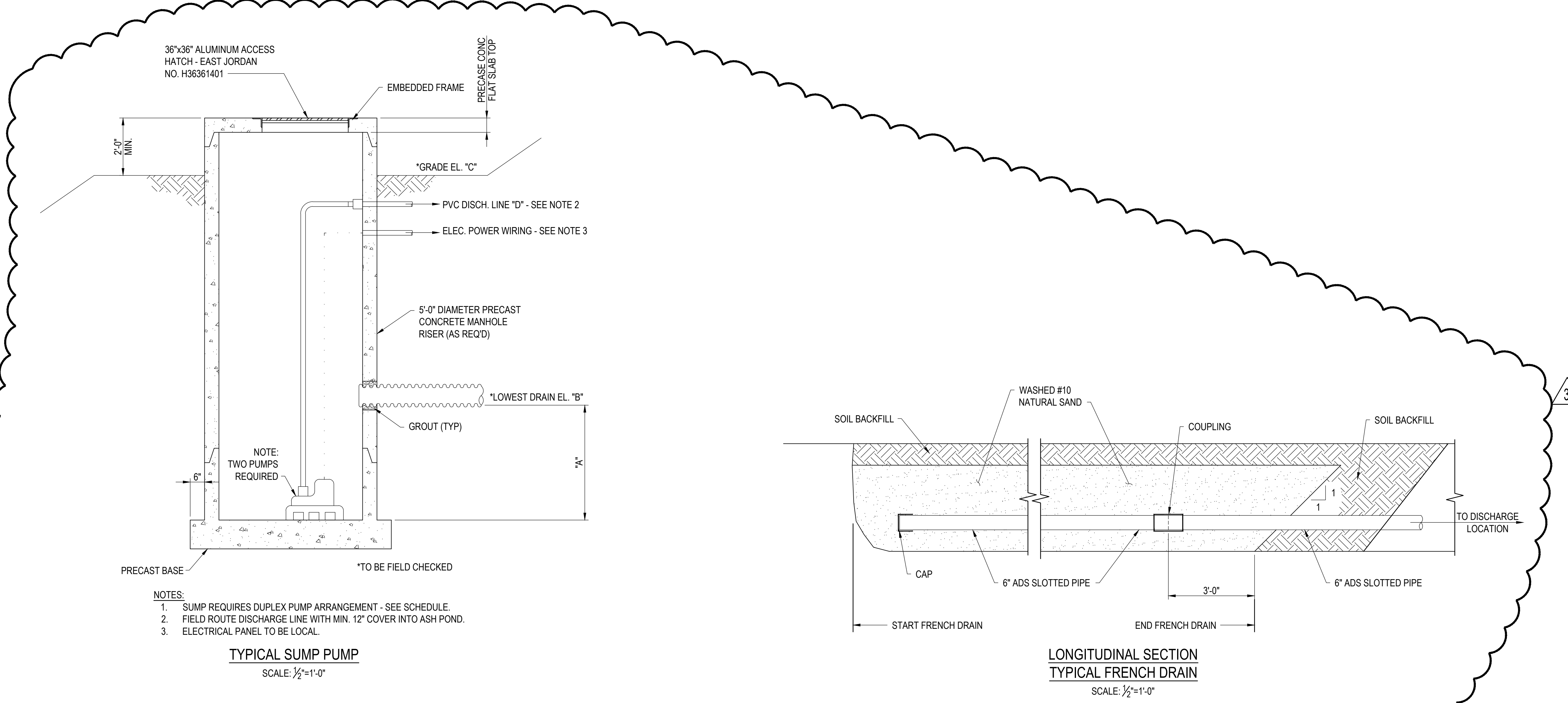
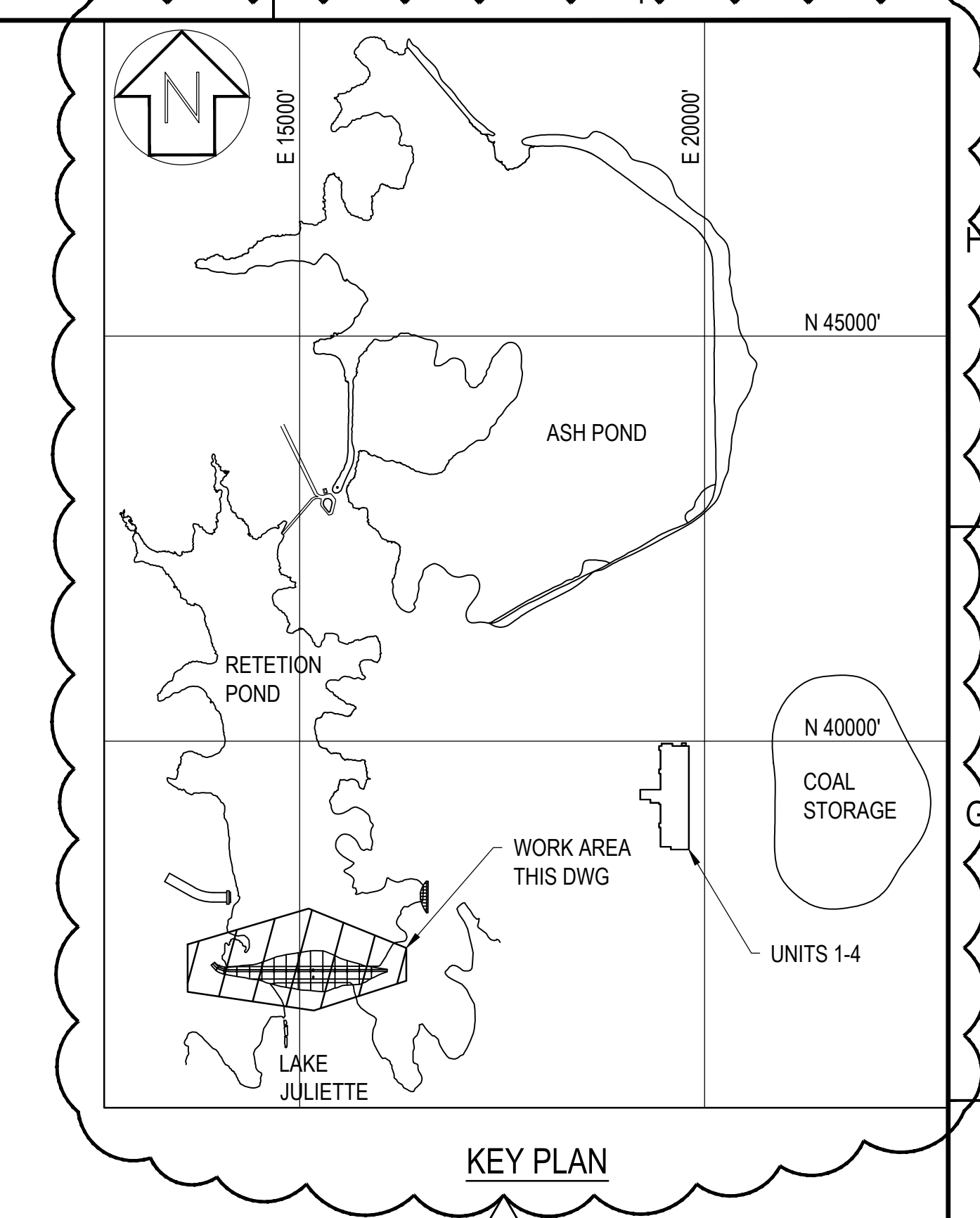
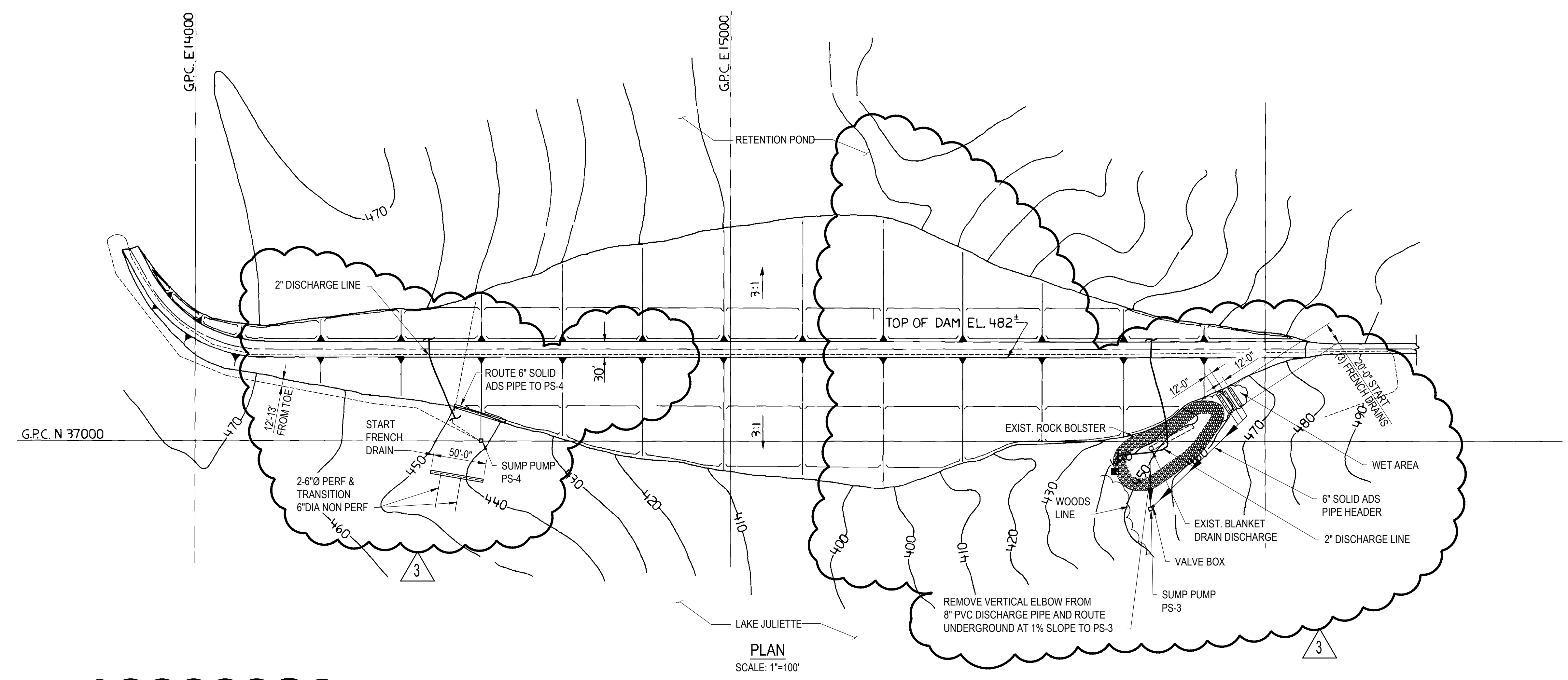
CAD EIH1059  
CADOVERLAY LVG-0

REVISION	DATE	REVISION	DATE	REVISION	DATE	REVISION	DATE	REVISION	DATE	REVISION	DATE	REVISION	DATE	REVISION	DATE	REVISION	DATE																	
BY	CHK'D	APPR.1	APPR.2	APPR.3	APPR.4	APPR.5	BY	CHK'D	APPR.1	APPR.2	APPR.3	APPR.4	APPR.5	BY	CHK'D	APPR.1	APPR.2	APPR.3	APPR.4	APPR.5	BY	CHK'D	APPR.1	APPR.2	APPR.3	APPR.4	APPR.5	BY	CHK'D	APPR.1	APPR.2	APPR.3	APPR.4	APPR.5
DESIGNED BEW												DRAWN BJB						CHECKED RDP						SCALE		LOCATION		DRAWING NUMBER		REV.				
AS SHOWN												10-505						EIH1059						2										

Southern Company Services Inc.  
for  
**GEORGIA POWER COMPANY**  
PLANT SCHERER  
RETENTION (SETTLING) POND  
PLAN, SECTION, AND DETAILS  
OF INSTRUMENTATION

REVISION 2 DATE 5/10/95  
TRANSMITTED TO DOCUMENT CONTROL

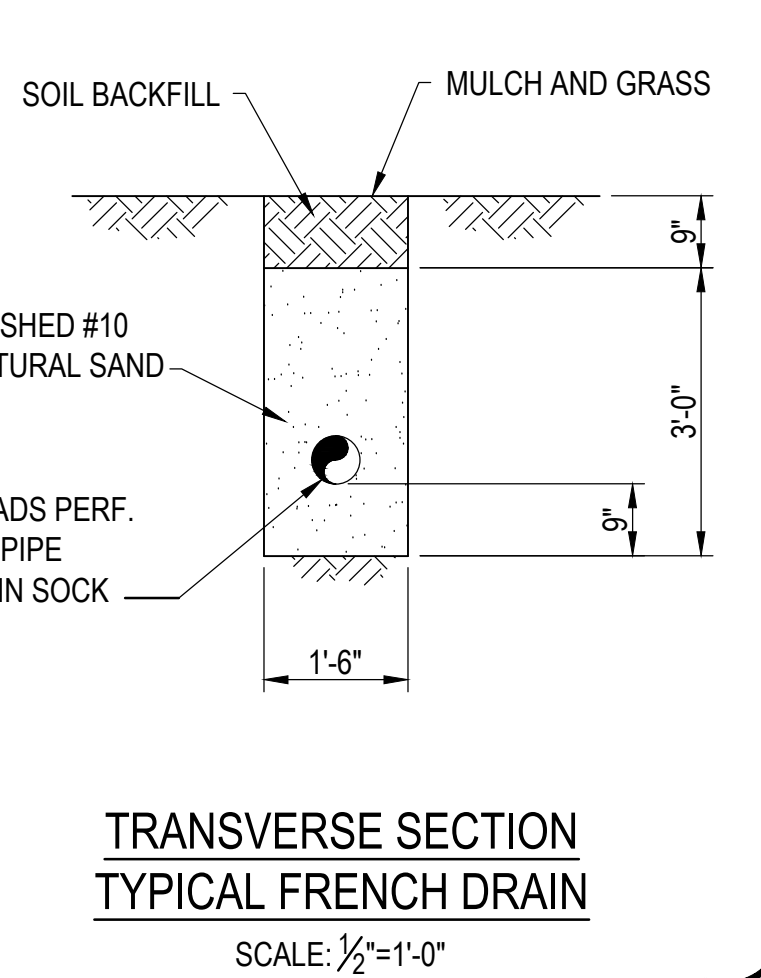
REVISION 1 DATE 4/13/95  
ADDED WEIR LOCATIONS



- NOTES:**
- SUMP REQUIRES DUPLEX PUMP ARRANGEMENT - SEE SCHEDULE.
  - FIELD ROUTE DISCHARGE LINE WITH MIN. 12" COVER INTO ASH POND.
  - ELECTRICAL PANEL TO BE LOCAL.

**TYPICAL SUMP PUMP**  
SCALE: 1/2"=1'-0"

**LONGITUDINAL SECTION TYPICAL FRENCH DRAIN**  
SCALE: 1/2"=1'-0"



**TRANSVERSE SECTION TYPICAL FRENCH DRAIN**  
SCALE: 1/2"=1'-0"

SUMP PUMP SCHEDULE							
MARK	"A"	"B"	"C"	"D"	PUMP SIZE	STATIC HEAD	MAX INFLOW TO SUMP
PS-1	4'-0"	460.00±	469.67±	2"	(2) 20 GPM	47'	APPROX. 20 GPM
PS-2	2'-6"	481.75±	487.67±	2"	(2) 20 GPM	25'	LESS THAN 5 GPM
PS-3	3'-0"	432.75±	439.75±	2"	(2) 20 GPM	52'	APPROX. 10 GPM
PS-4	3'-0"	433.75±	442.75±	2"	(2) 20 GPM	50'	APPROX. 12 GPM
PS-5	6'-6"	401.58±	409.58±	2"	(2) 75 GPM	110'	APPROX. 48 GPM
PS-6	3'-0"	464.50±	473.50±	2"	(2) 20 GPM	38'	APPROX. 5 GPM

WORK THIS DRAWING WITH E1H1058

REVISION	DATE	REVISION	DATE	REVISION	DATE	REVISION	DATE	REVISION	DATE	REVISION	DATE	REVISION	DATE	REVISION	DATE
3										3	12/11/15				
2										2	5/10/95				
1										1	4/13/95				

Southern Company Services, Inc.  
Copyright © 2015 Southern Company Services, Inc. All Rights Reserved.  
This document contains proprietary, confidential, and/or trade secret information of the subsidiaries of The Southern Company or of third parties. It is intended for use only by employees of, or authorized contractors of, the subsidiaries of the Southern Company. Unauthorized possession, use, distribution, copying, dissemination, or disclosure of any portion hereof is prohibited.

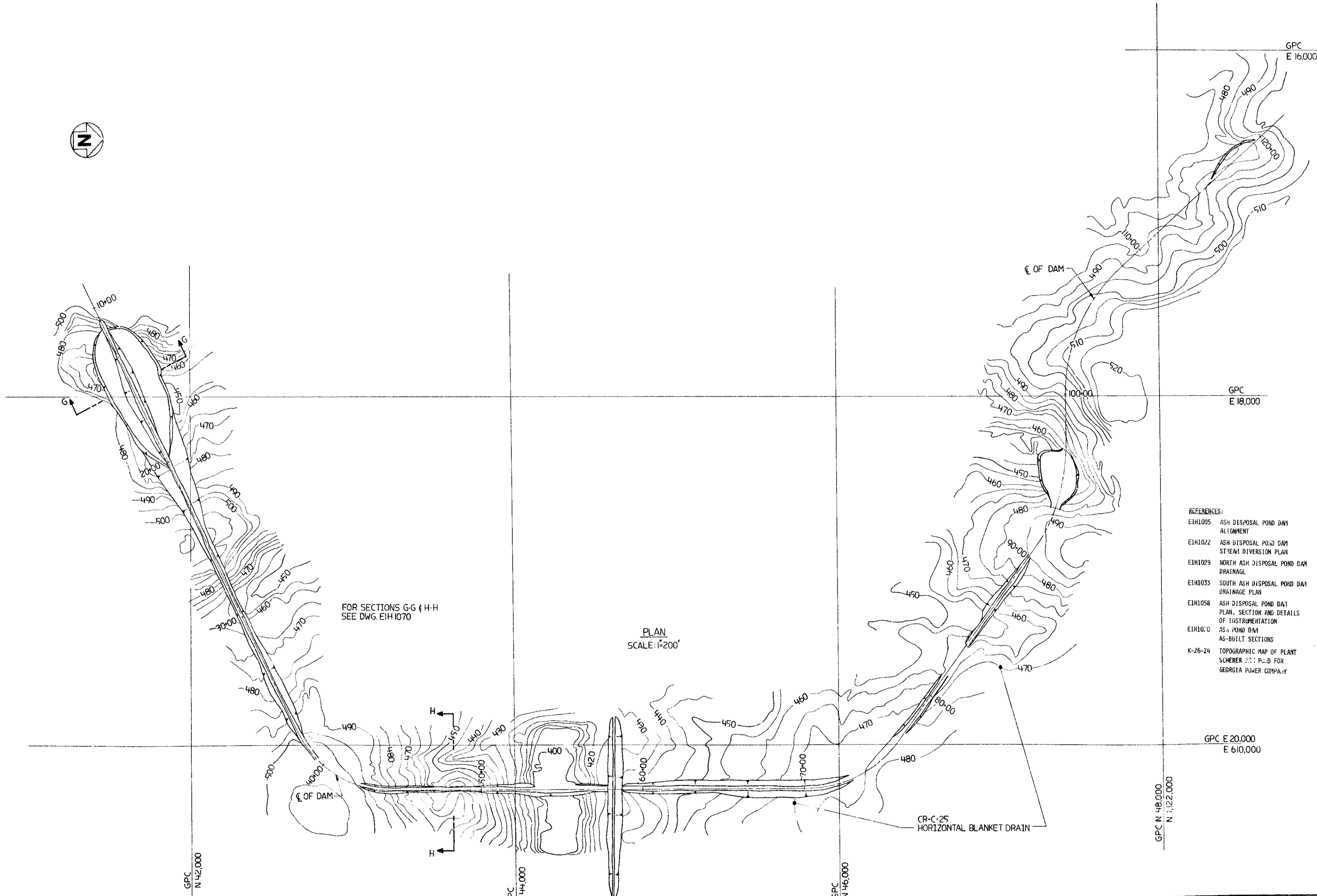
**Southern Company Generation**  
Engineering and Construction Services  
FOR

**Georgia Power Company**

**PLANT SCHERER**  
ASH POND LEAK COLLECTION SYSTEM  
RETENTION (SETTLING) POND  
PLAN AND DETAILS

BY	CHKD	CVAL APPR	ELECT APPR	IC APPR	MECH APPR	DISC MGR	BY	CHKD	CVAL APPR	ELECT APPR	IC APPR	MECH APPR	DISC MGR	BY	CHKD	CVAL APPR	ELECT APPR	IC APPR	MECH APPR	DISC MGR	SCALE	DRAWING NUMBER	SHEET	CONTS	REV
GSW	DEW	RSN	X	X	X	SII	LVG	ASB						LVG	HAF	TED					NONE	E1H1059	1	FINAL	3

FOR APPROVALS SEE EDRF 9505009



FOR SECTIONS G-G & H-H  
SEE DWG. EIH 1070

PLAN  
SCALE: 1"=200'

- REFERENCES:
- EIH1005 ASH DISPOSAL POND DAM ALIGNMENT
  - EIH1022 ASH DISPOSAL POND DAM STREAM DIVERSION PLAN
  - EIH1029 NORTH ASH DISPOSAL POND DAM DRAINAGE
  - EIH1035 SOUTH ASH DISPOSAL POND DAM DRAINAGE PLAN
  - EIH1058 ASH DISPOSAL POND DAM PLAN, SECTION AND DETAILS OF INSTRUMENTATION
  - EIH1070 ASH POND DAM AS-BUILT SECTIONS
  - K-26-24 TOPOGRAPHIC MAP OF PLANT SCHERER AS-BUILT FOR GEORGIA POWER COMPANY

REVISION	DATE	REVISION	DATE	REVISION	DATE	REVISION	DATE	REVISION	DATE	REVISION	DATE	REVISION	DATE	REVISION	DATE	REVISION	DATE

Southern Company Services, Inc.

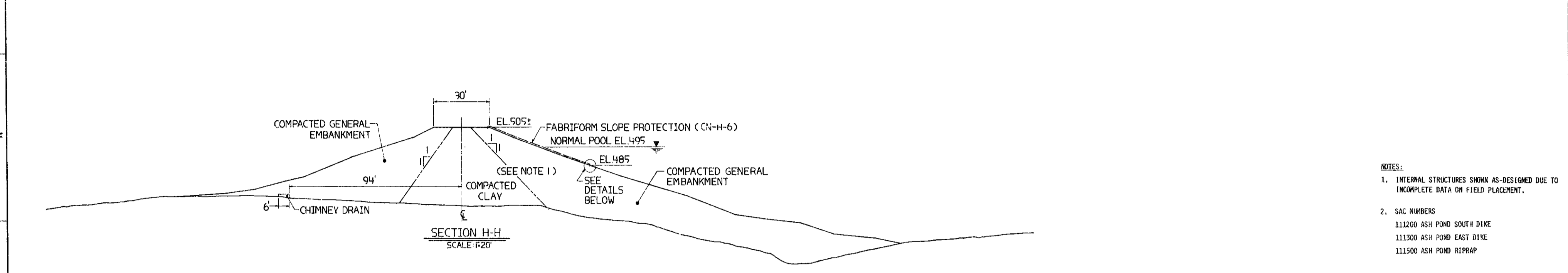
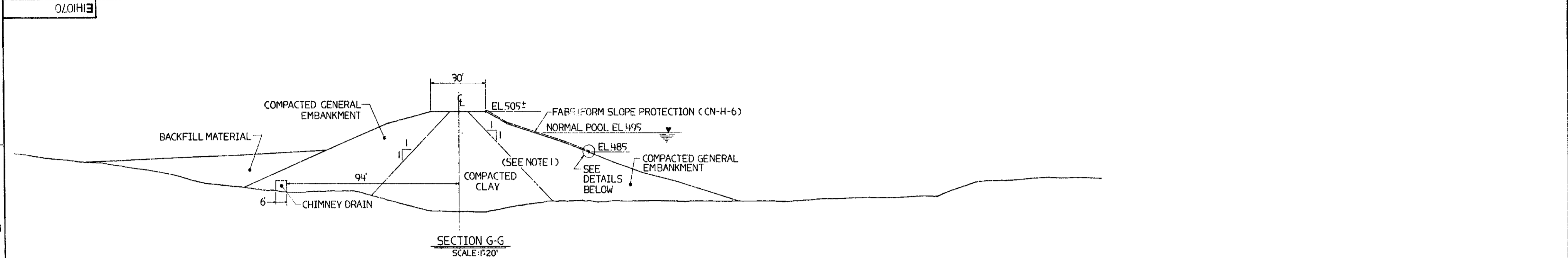
**Georgia Power Company**

PLANT SCHERER  
ASH POND DAM  
AS-BUILT EXCAVATION

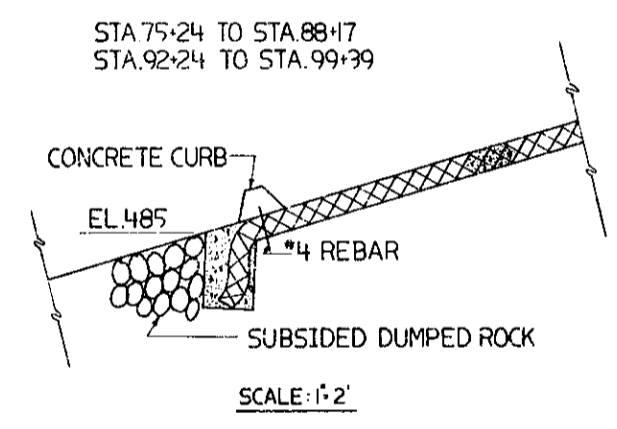
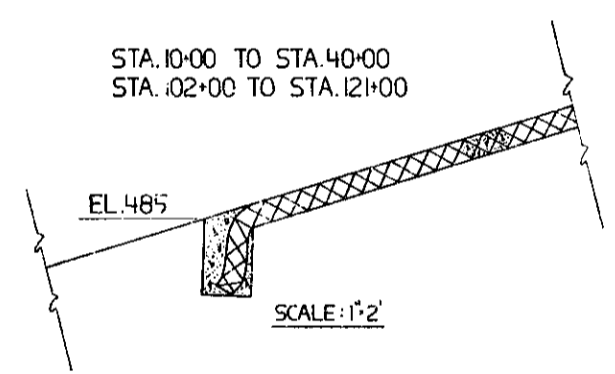
ISSUED FOR INFORMATION

DESIGNED RDP	DRAWN VFS	CHECKED RDP
SCALE	DATE	PROJECT NO.
AS SHOWN	11/10/00	10565
		EIH1069

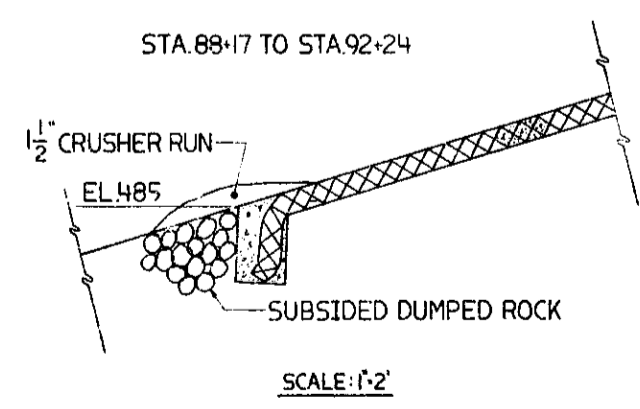
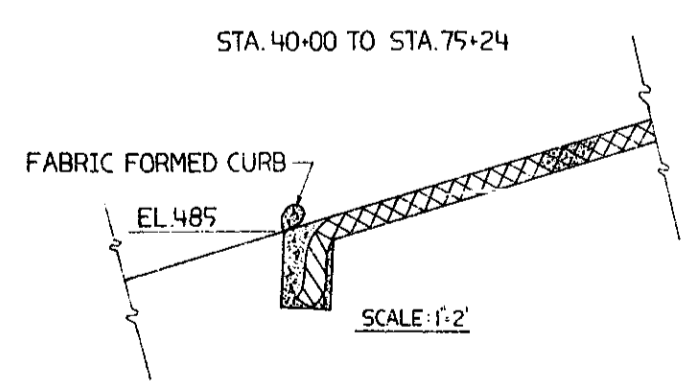




- NOTES:
- INTERNAL STRUCTURES SHOWN AS-DESIGNED DUE TO INCOMPLETE DATA ON FIELD PLACEMENT.
  - SAC NUMBERS  
111200 ASH POND SOUTH DIKE  
111300 ASH POND EAST DIKE  
111500 ASH POND RIPRAP



NOTE:  
THESE DETAILS SHOW VARIOUS FORMS  
OF CONSTRUCTION (ACCORDING TO  
STATIONING) AT EL. 485 ON THE  
UPSTREAM SLOPE.



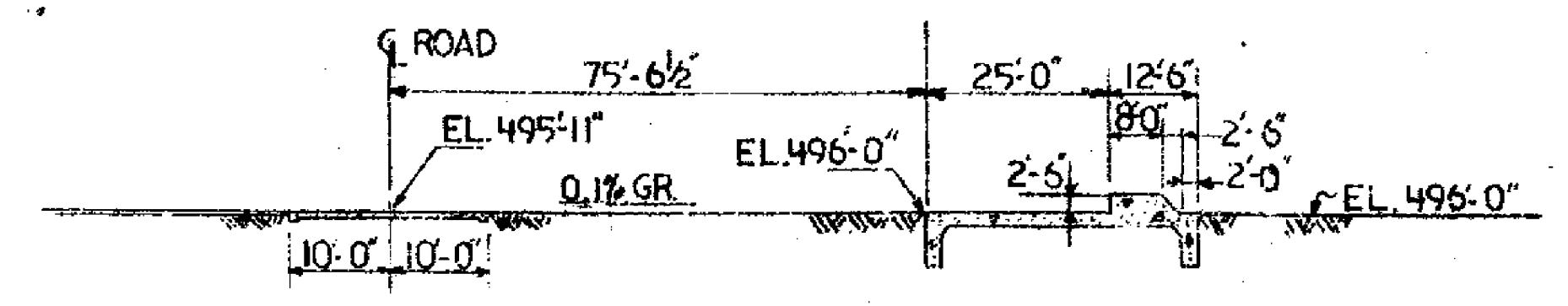
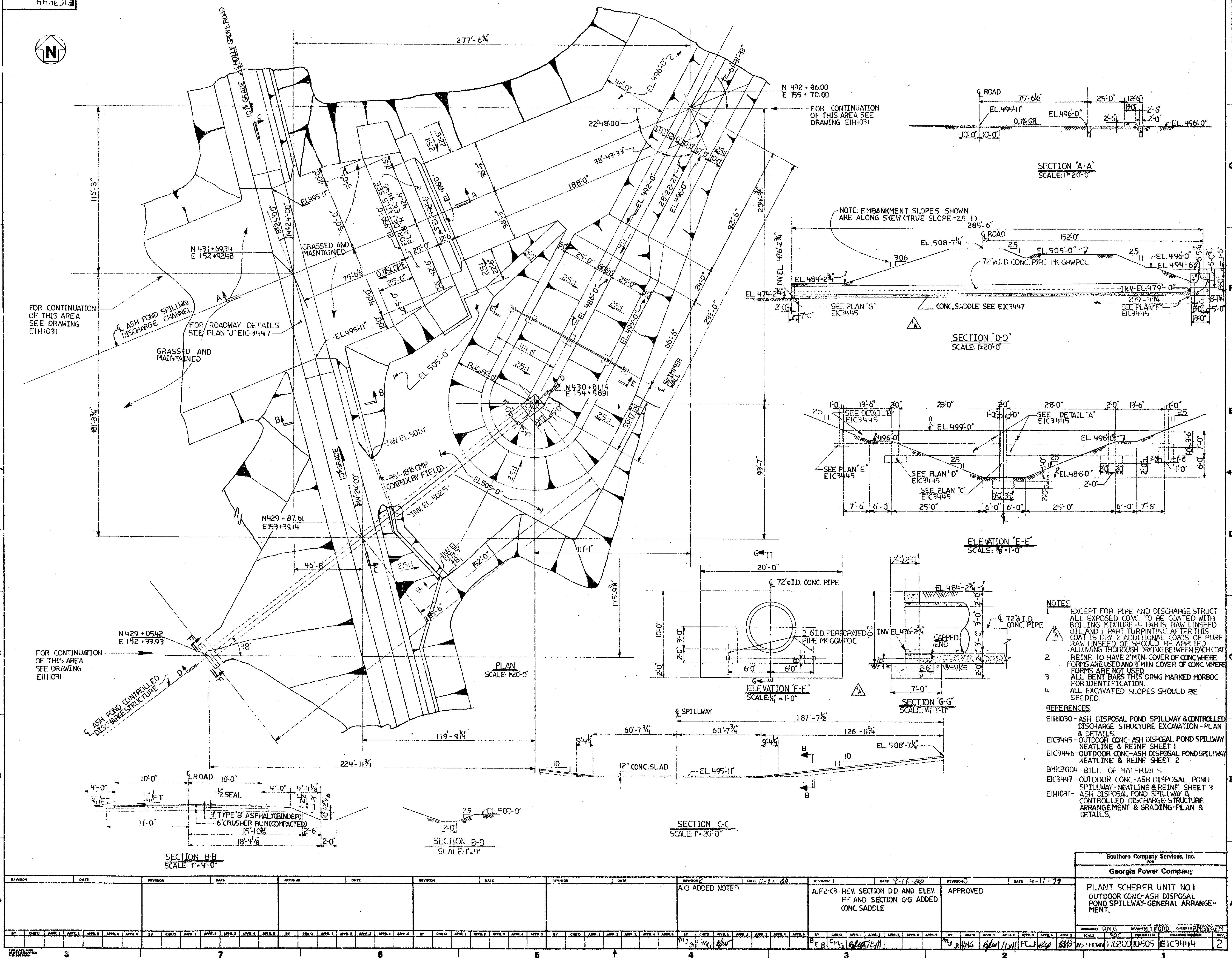
- REFERENCES:
- E1H1005 ASH DISPOSAL POND DAM ALIGNMENT
  - E1H1022 ASH DISPOSAL POND DAM STREAM DIVERSION PLAN
  - E1H1029 NORTH ASH DISPOSAL POND DAM DRAINAGE
  - E1H1033 SOUTH ASH DISPOSAL POND DAM DRAINAGE PLAN
  - E1H1058 ASH DISPOSAL POND DAM PLAN, SECTION AND DETAILS OF INSTRUMENTATION
  - E1H1059 ASH POND DAM AS-BUILT EXCAVATION
  - K-26-24 TOPOGRAPHIC MAP OF PLANT SCHERER ASH POND FOR GEORGIA POWER COMPANY

REVISION	DATE	REVISION	DATE	REVISION	DATE	REVISION	DATE	REVISION	DATE	REVISION	DATE	REVISION	DATE	REVISION	DATE	REVISION	DATE

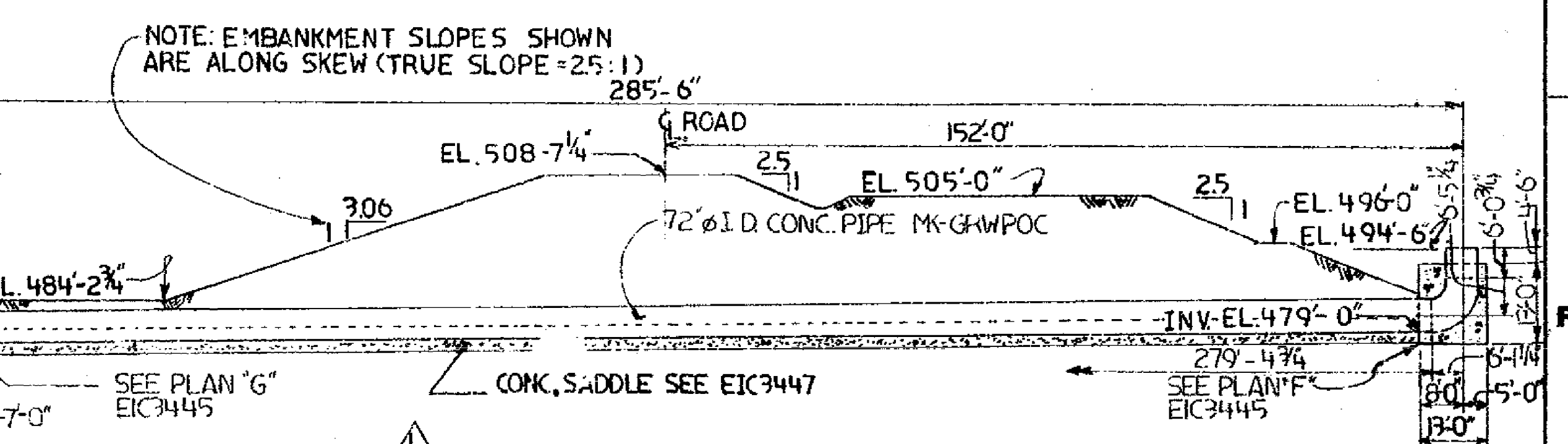
Southern Company Services, Inc.  
 Georgia Power Company  
 PLANT SCHERER  
 ASH POND DAM  
 AS-BUILT SECTIONS

ISSUED FOR INFORMATION

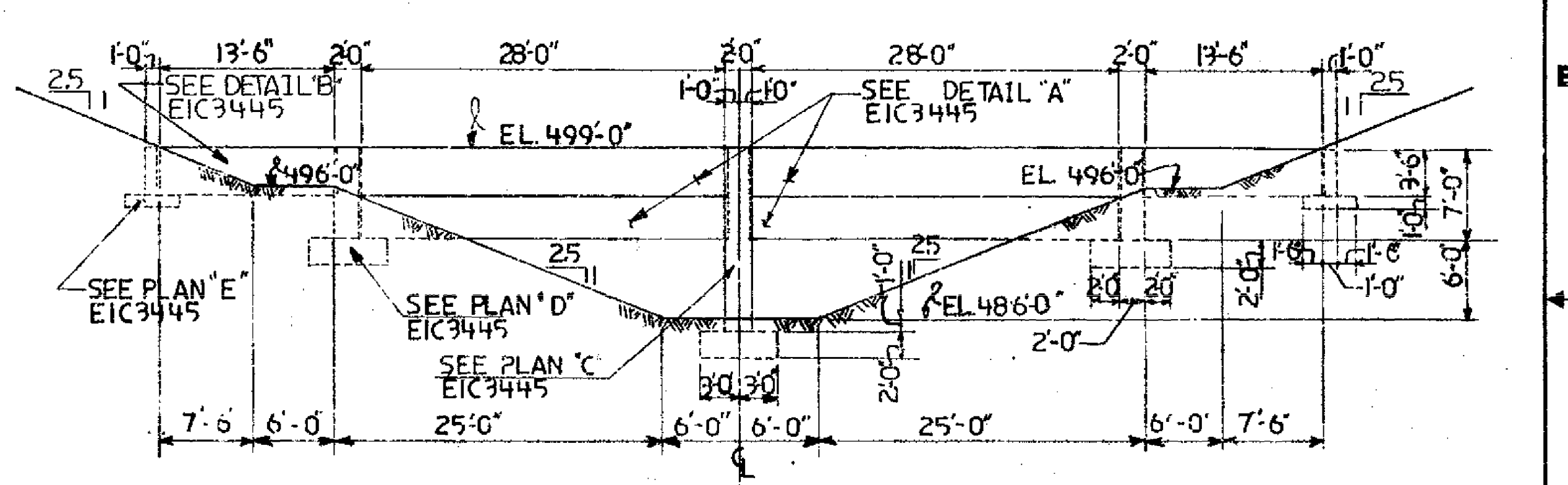
DESIGNED RDP DRAWN VFS CHECKED RDP  
 SCALE 1/2" = 1'-0" PROJECT NO. 10505 DRAWING NUMBER E1H 1070  
 AS SHOWN NOTE 2



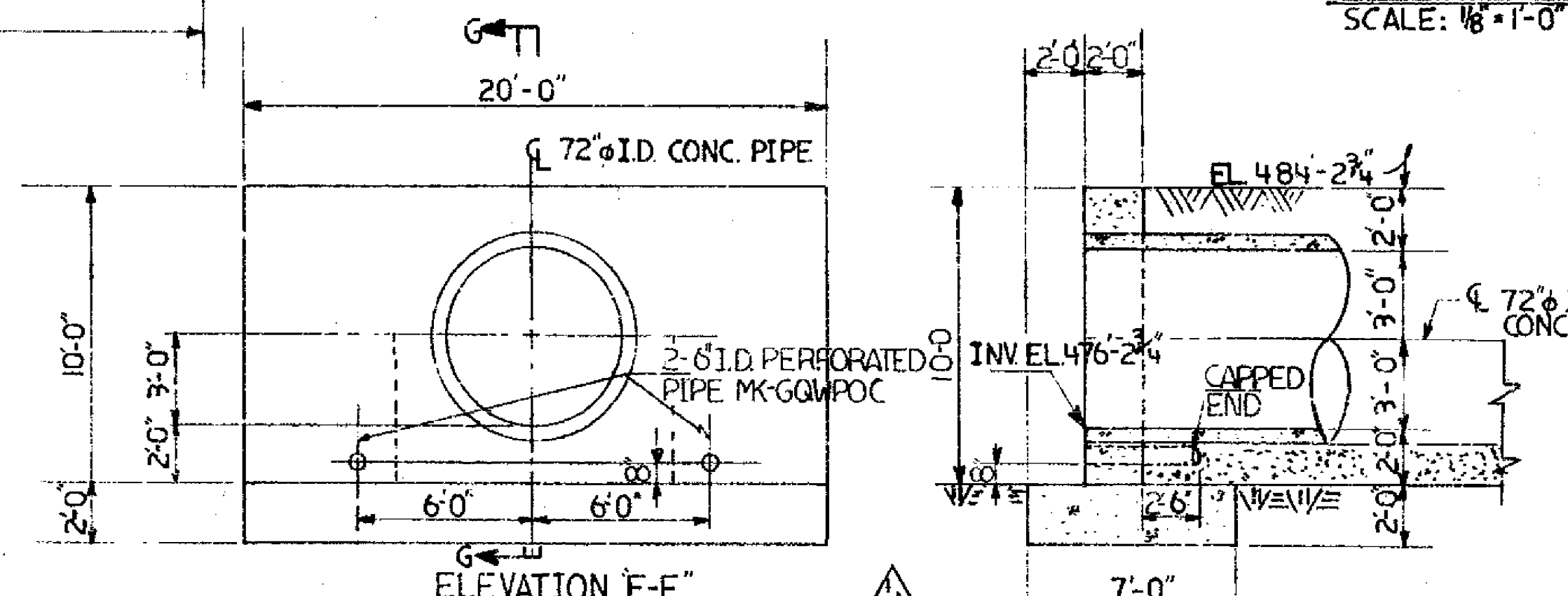
SECTION A-A  
SCALE: 1"=20'-0"



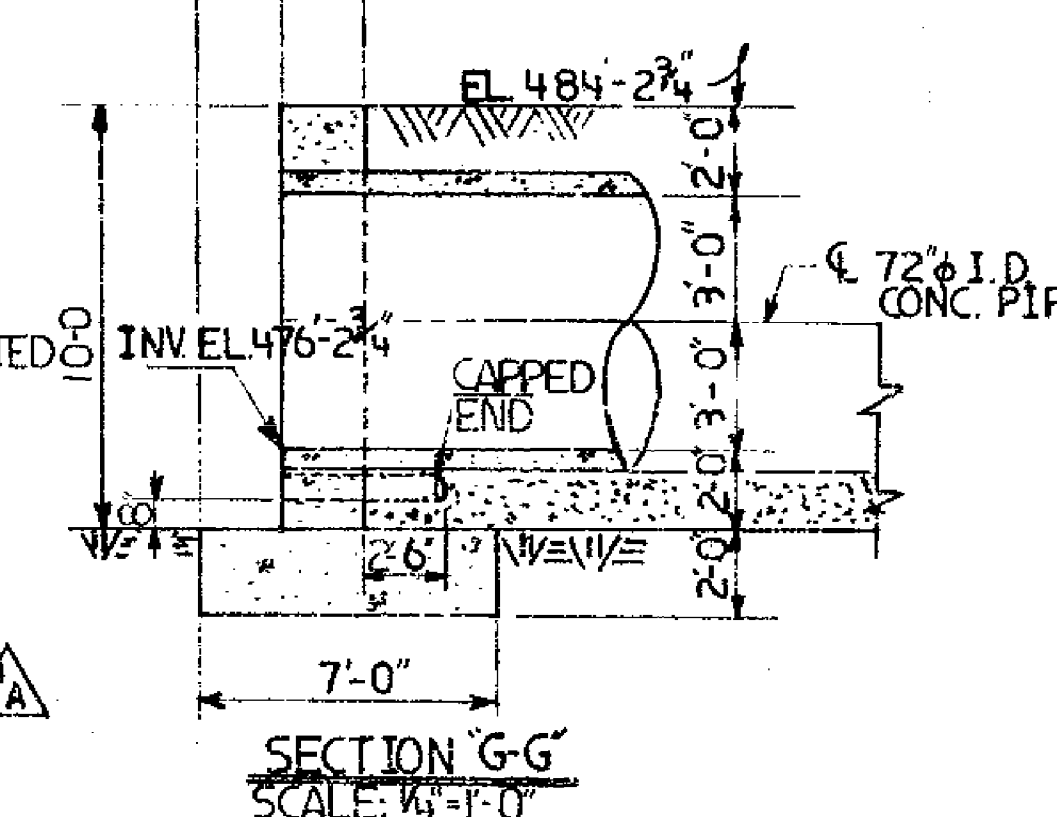
SECTION D-D  
SCALE: 1/2"=20'-0"



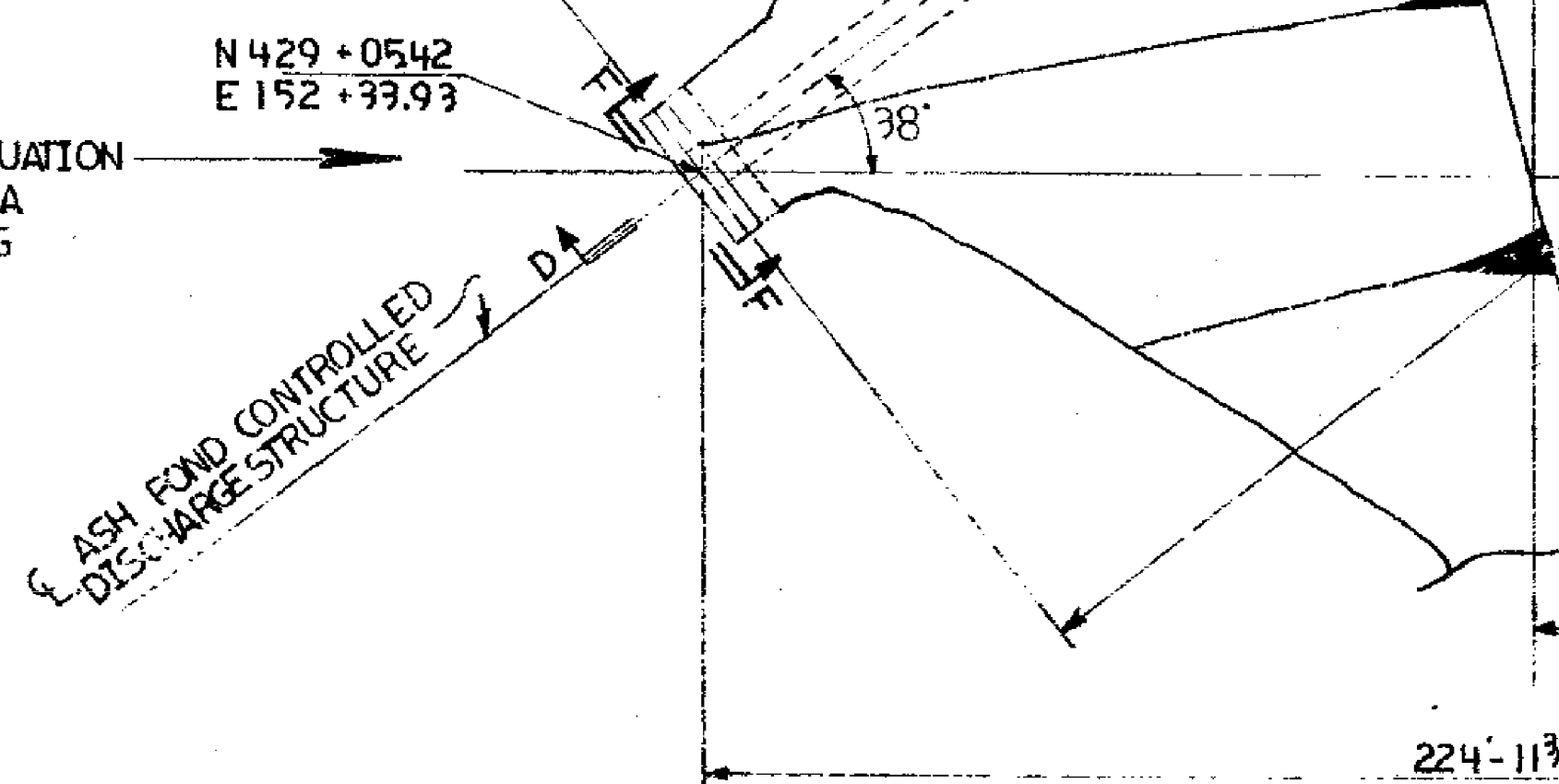
ELEVATION E-E  
SCALE: 1/8"=1'-0"



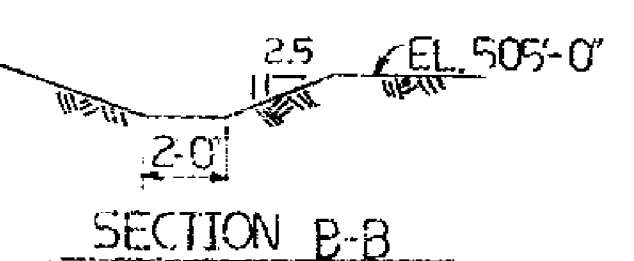
ELEVATION F-F  
SCALE: 1/4"=1'-0"



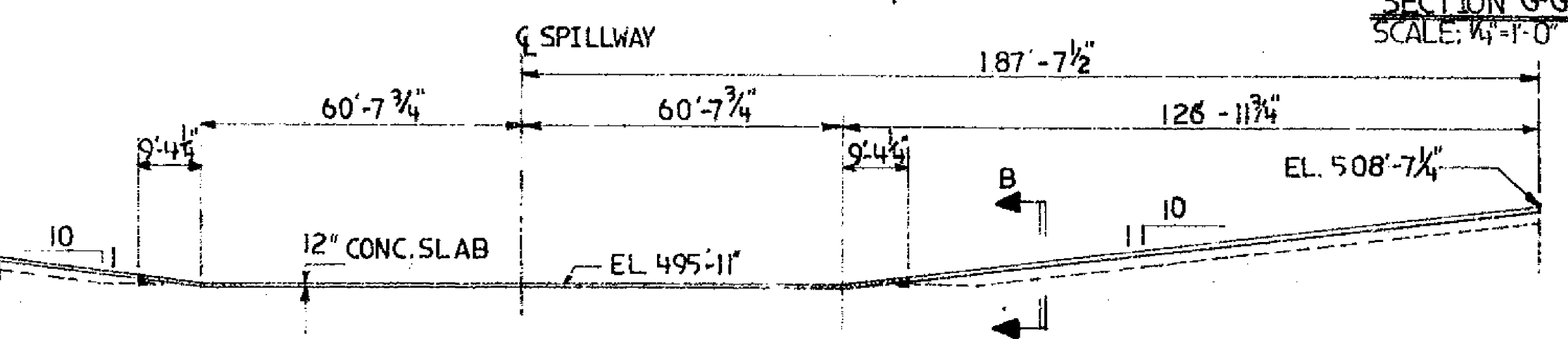
SECTION G-G  
SCALE: 1/4"=1'-0"



SECTION B-B  
SCALE: 1"=4'-0"



SECTION B-B  
SCALE: 1"=4'



SECTION C-C  
SCALE: 1"=20'-0"

- NOTES**
- 1 EXCEPT FOR PIPE AND DISCHARGE STRUCT ALL EXPOSED CONC TO BE COATED WITH BOILING MIXTURE - 4 PARTS RAW LINSEED OIL AND 1 PART TURPENTINE AFTER THIS COAT IS DRY 2 ADDITIONAL COATS OF PURE RAW LINSEED OIL SHOULD BE APPLIED ALLOWING THOROUGH DRYING BETWEEN EACH COAT REINF. TO HAVE 2" MIN. COVER OF CONC WHERE FORMS ARE USED AND 3" MIN. COVER OF CONC WHERE FORMS ARE NOT USED
  - 2 ALL BENT BARS THIS DRWG MARKED MORBOC FOR IDENTIFICATION
  - 3 ALL EXCAVATED SLOPES SHOULD BE SEEDED.
- REFERENCES:**
- EIH1030 - ASH DISPOSAL POND SPILLWAY & CONTROLLED DISCHARGE STRUCTURE EXCAVATION - PLAN & DETAILS
  - EIC3445 - OUTDOOR CONC. ASH DISPOSAL POND SPILLWAY NEATLINE & REINF. SHEET 1
  - EIC3446 - OUTDOOR CONC. ASH DISPOSAL POND SPILLWAY NEATLINE & REINF. SHEET 2
  - BMC3004 - BILL OF MATERIALS
  - EIC3447 - OUTDOOR CONC. ASH DISPOSAL POND SPILLWAY - NEATLINE & REINF. SHEET 3
  - EIH1031 - ASH DISPOSAL POND SPILLWAY & CONTROLLED DISCHARGE STRUCTURE ARRANGEMENT & GRADING - PLAN & DETAILS.

REVISION	DATE	REVISION	DATE	REVISION	DATE	REVISION	DATE	REVISION	DATE	REVISION	DATE	REVISION	DATE

Southern Company Services, Inc.  
for  
**Georgia Power Company**

**PLANT SCHERER UNIT NO.1  
OUTDOOR CONC. ASH DISPOSAL  
POND SPILLWAY - GENERAL ARRANGE-  
MENT.**

DRAWN: M.T.FORD  
CHECKED: M.T.FORD  
SCALE: AS SHOWN  
PROJECT NO: 17620010-05  
SHEET NO: EIC3444  
REV: 2