

PERMIT DRAWINGS

GEORGIA POWER COMPANY

PLANT MCINTOSH COAL COMBUSTION RESIDUALS (CCR)

INACTIVE LANDFILL NO. 3

EFFINGHAM, GEORGIA

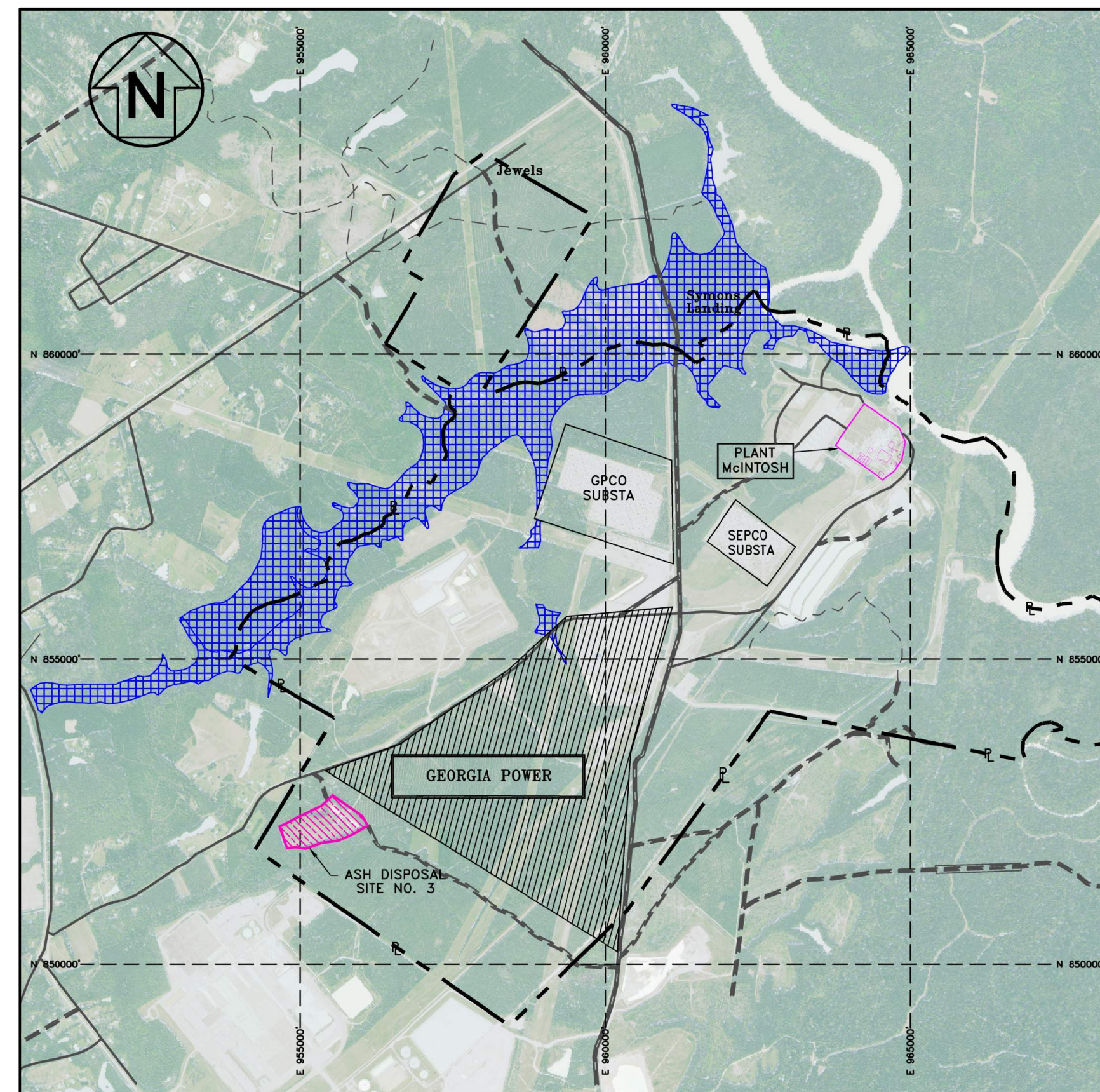
NOVEMBER 2022

OWNER/OPERATOR

GEORGIA POWER COMPANY
 241 RALPH MCGILL BLVD.
 ATLANTA, GEORGIA 30308

RESPONSIBLE OFFICIAL

GENERAL MANAGER-ENVIRONMENTAL AFFAIRS
 GEORGIA POWER COMPANY
 241 RALPH MCGILL BLVD.
 ATLANTA, GEORGIA 30308
 (404) 506-6505



PROJECT SITE LOCATION
 NOT TO SCALE

REVISION HISTORY

DATE	SHEETS	REQUESTED BY



INDEX TO DRAWINGS

SHEET NO.	DESCRIPTION
-	COVER
1	INDEX AND LEGEND
2	EXISTING SITE TOPOGRAPHIC MAP MARCH 2018
3	LONGITUDINAL & TRANSVERSE SECTIONS A-A & B-B FOR PHASE 1 & PHASE 2
4	LONGITUDINAL & TRANSVERSE SECTIONS C-C, D-D & E-E FOR PHASE 1 & PHASE 2
5	SECTIONS & DETAILS
6	POTENTIOMETRIC MAP, AUGUST 16, 2021
7	TOPOGRAPHIC & POTENTIOMETRIC CROSS SECTION A-A
8	TOPOGRAPHIC & POTENTIOMETRIC CROSS SECTION B-B
9	EROSION CONTROL SECTIONS AND DETAILS, SHEET 1
10	EROSION CONTROL SECTIONS AND DETAILS, SHEET 2
11	EROSION CONTROL SECTIONS AND DETAILS, SHEET 3

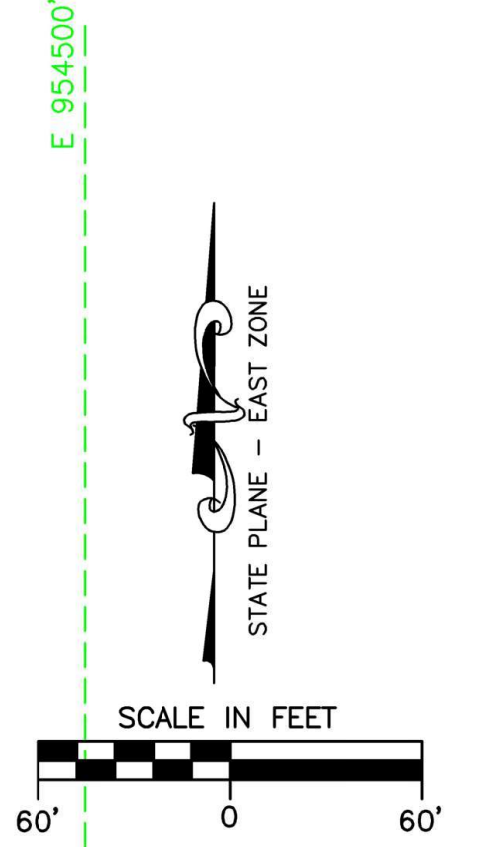
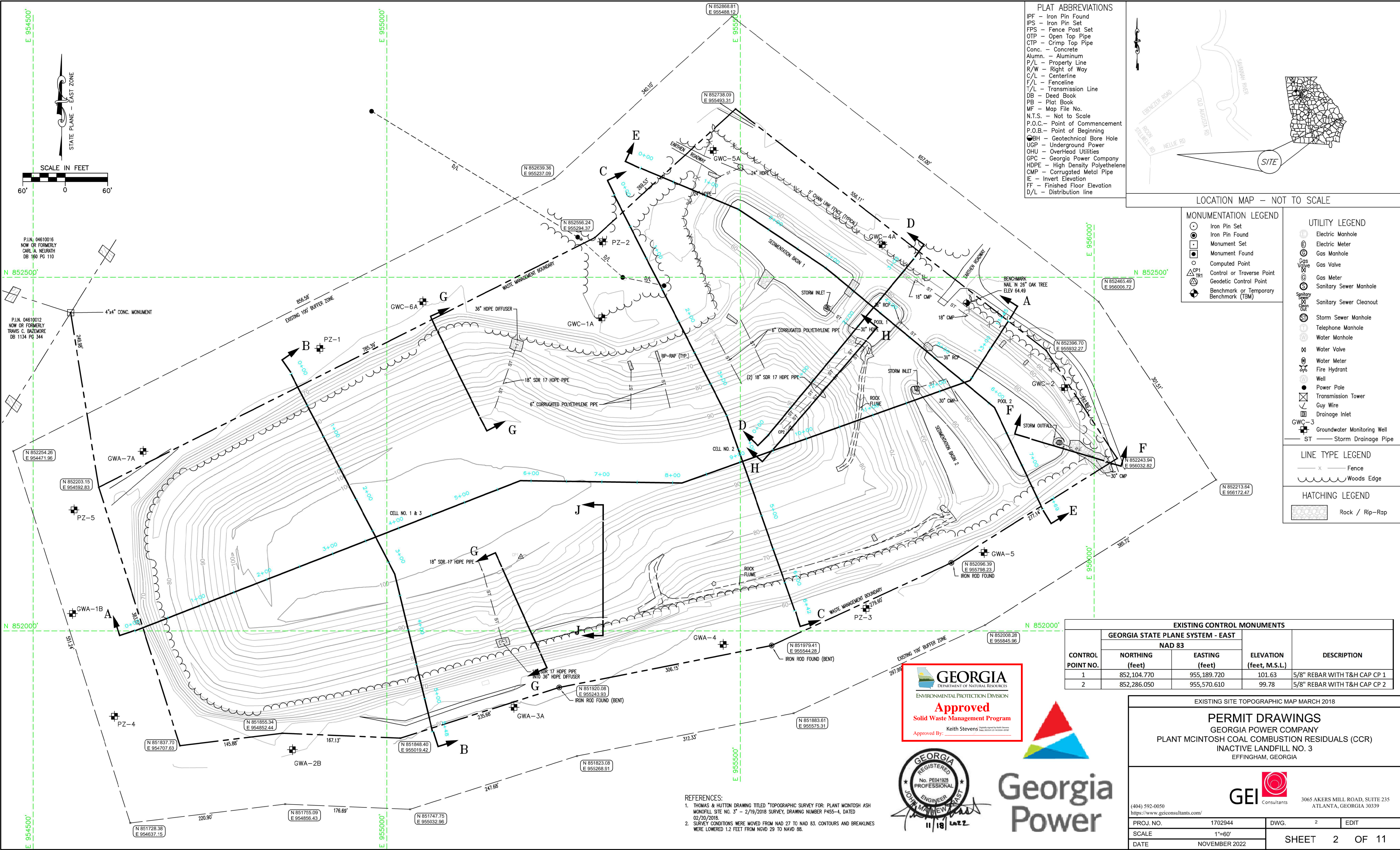
EXISTING	PROPOSED	EXISTING	PROPOSED	
				PROPERTY LINE (APPROXIMATE)
				UNDISTURBED PROPERTY BUFFER
				AREAS INUNDATED BY 100 YEAR FLOOD (APPROXIMATE)
				ASH DISPOSAL SITE No.3 BOUNDARY (APPROXIMATE)
				STREAM AND WETLAND BUFFER
				TREELINE
				BENCHMARK
				UNPAVED ROAD
				PAVED ROAD
				GRAVEL ROAD
				DITCH CENTERLINE
				STORM DRAINAGE PIPE
				STORM WATER DIVERSION BERM
				SILT FENCE
				WATER MAIN
				SANITARY SEWER
				POWER LINE
				FENCE
				RAILROAD
				SITE BOUNDARY
				200' BUFFER
				50' WETLAND BUFFER
				EXIST GROUND CONTOURS
				FINAL GRADE CONTOURS
				UNDERDRAIN
				DOWNDRAIN
				SURFACE RUNOFF DIRECTION
				GROUNDWATER ELEVATION (8/16/2021, FT MSL)
				APPARENT POTENTIOMETRIC SURFACE CONTOUR (INFERRED WHERE DASHED)
				APPARENT GROUNDWATER FLOW DIRECTION
				BUILDING
				GROUNDWATER MONITORING WELL
				SURFACE WATER MONITORING POINT
				OUTLET PROTECTION
				STONE CHECK DAM
				HAY BALE CHECK DAM
				FLARED END SECTION
				INLET PROTECTION
				CONSTRUCTION EXIT
				NPDES SAMPLING POINT
				LEACHATE CLEANOUT
				LEACHATE SUMP
				LEACHATE MANHOLE / PUMP STATION
				LEACHATE VAULT
				AIR RELEASE VALVE
				HEADWALL
				DROP INLET
				OVERFLOW STRUCTURE
				GATE
				BORING/PIEZOMETER
				SPOT ELEVATION
				MARKER POST
				DOWNDRAIN PIPE AND SLOPED PAVED HEADWALL
				SEDIMENT TRAP
				EXCELSIOR SLOPE MATTING

GENERAL NOTES:

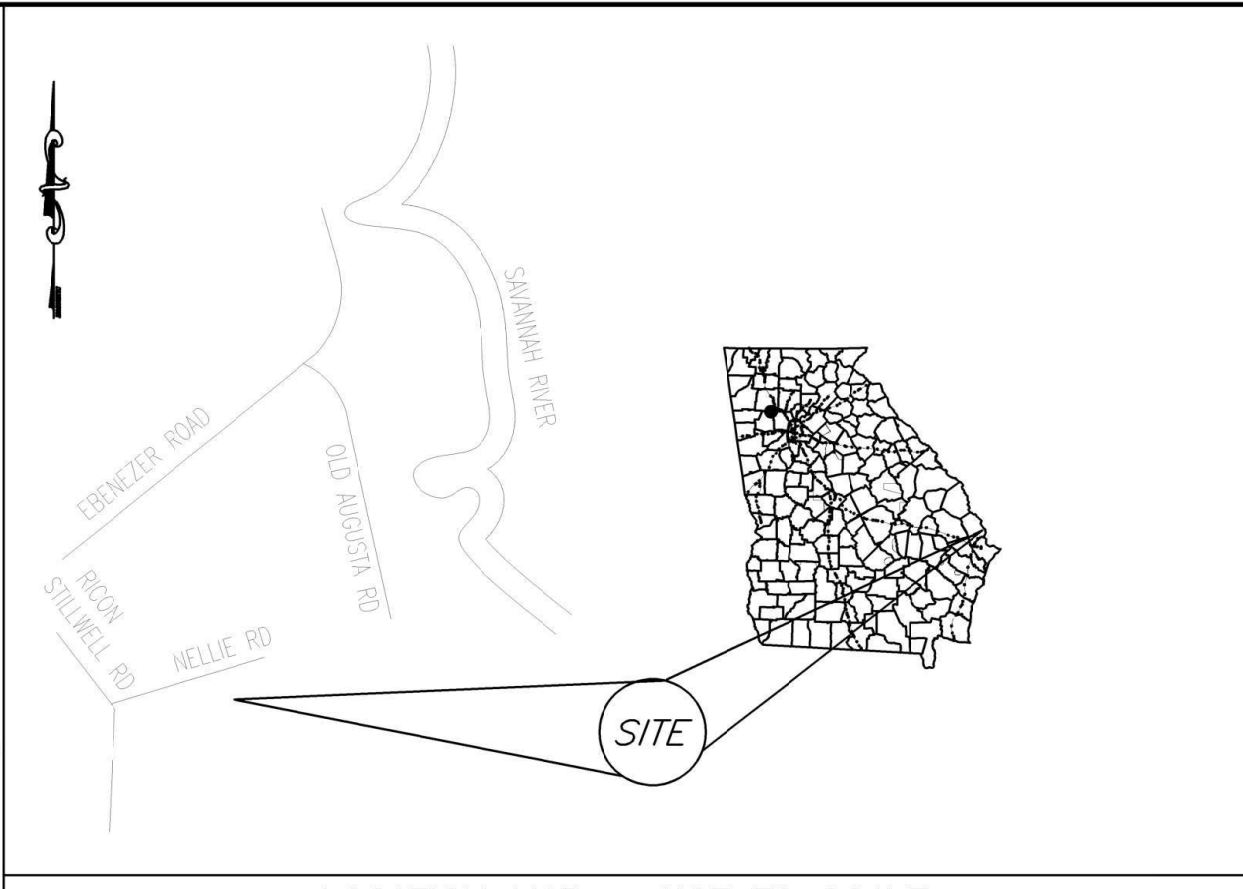
- PROPERTY LINE IS APPROXIMATE.
- GRID IS STATE PLANE GRID, NAD83, EAST ZONE. (APPROXIMATE).
- AERIAL WAS DEVELOPED FROM 2017 NAIP USDA-FSA-APFO AERIAL PHOTOGRAPHY.
- GEORGIA POWER COMPANY PROPERTY LINE DATA OBTAINED FROM ESRI, DIGITALGLOBE, GEOEYE, EARTHSTAR GRAPHICS, CNES/AIRBUS DS, USDA, USGS, AEROGIRD, IGN, AND THE GIS USER COMMUNITY.
- SOUTHERN COMPANY SERVICES, EPS-7017-4 SITE SA-1, LAYOUT.
- SAVANNAH ELECTRIC, P121 MCINTOSH PLANT SITE.
- FLOOD INSURANCE RATE MAP, EFFINGHAM COUNTY, GEORGIA, PANEL 100 OF 175, MARCH, 1987.
- SEE SHEET 2 FOR GENERAL NOTES AND REFERENCES.



INDEX AND LEGEND			
PERMIT DRAWINGS GEORGIA POWER COMPANY PLANT MCINTOSH COAL COMBUSTION RESIDUALS (CCR) INACTIVE LANDFILL NO. 3 EFFINGHAM, GEORGIA			
		3065 AKERS MILL ROAD, SUITE 235 ATLANTA, GEORGIA 30339	
(404) 592-0050 https://www.geiconsultants.com/			
PROJ. NO.	1702944	DWG.	1
SCALE	NONE	EDIT	
DATE	NOVEMBER 2022	SHEET 1 OF 11	



- PLAT ABBREVIATIONS**
- IPF - Iron Pin Found
 - IPS - Iron Pin Set
 - FPS - Fence Post Set
 - OTP - Open Top Pipe
 - CTP - Crimp Top Pipe
 - Conc. - Concrete
 - Alumn. - Aluminum
 - P/L - Property Line
 - R/W - Right of Way
 - C/L - Centerline
 - F/L - Fenceline
 - T/L - Transmission Line
 - DB - Deed Book
 - PB - Plat Book
 - MF - Map File No.
 - N.T.S. - Not to Scale
 - P.O.C. - Point of Commencement
 - P.O.B. - Point of Beginning
 - BH - Geotechnical Bore Hole
 - UGP - Underground Power
 - O/HU - Overhead Utilities
 - GPC - Georgia Power Company
 - HDPE - High Density Polyethylene
 - CMP - Corrugated Metal Pipe
 - IE - Invert Elevation
 - FF - Finished Floor Elevation
 - D/L - Distribution line



- MONUMENTATION LEGEND**
- Iron Pin Set
 - Iron Pin Found
 - ⊕ Monument Set
 - ⊙ Monument Found
 - Computed Point
 - △ CP1 TR1 Control or Traverse Point
 - ⊕ Geodetic Control Point
 - ⊕ Benchmark or Temporary Benchmark (TBM)
- UTILITY LEGEND**
- ⊕ Electric Manhole
 - ⊕ Electric Meter
 - ⊕ Gas Manhole
 - ⊕ Gas Valve
 - ⊕ Gas Meter
 - ⊕ Sanitary Sewer Manhole
 - ⊕ Sanitary Sewer Cleanout
 - ⊕ Storm Sewer Manhole
 - ⊕ Telephone Manhole
 - ⊕ Water Manhole
 - ⊕ Water Valve
 - ⊕ Water Meter
 - ⊕ Fire Hydrant
 - ⊕ Well
 - ⊕ Power Pole
 - ⊕ Transmission Tower
 - ⊕ Guy Wire
 - ⊕ Drainage Inlet
 - ⊕ GWC-3 Groundwater Monitoring Well
 - ST — Storm Drainage Pipe

- LINE TYPE LEGEND**
- x — Fence
 - Woods Edge
- HATCHING LEGEND**
- Rock / Rip-Rap

EXISTING CONTROL MONUMENTS

CONTROL POINT NO.	GEORGIA STATE PLANE SYSTEM - EAST		ELEVATION (feet, M.S.L.)	DESCRIPTION
	NORTHING (feet)	EASTING (feet)		
1	852,104.770	955,189.720	101.63	5/8" REBAR WITH T&H CAP CP 1
2	852,286.050	955,570.610	99.78	5/8" REBAR WITH T&H CAP CP 2



REFERENCES:

- THOMAS & HUTTON DRAWING TITLED "TOPOGRAPHIC SURVEY FOR: PLANT MCINTOSH ASH MONOFILL SITE NO. 3" - 2/19/2018 SURVEY, DRAWING NUMBER P455-4, DATED 02/20/2018.
- SURVEY CONDITIONS WERE MOVED FROM NAD 27 TO NAD 83. CONTOURS AND BREAKLINES WERE LOWERED 1.2 FEET FROM NAVD 29 TO NAVD 88.

EXISTING SITE TOPOGRAPHIC MAP MARCH 2018

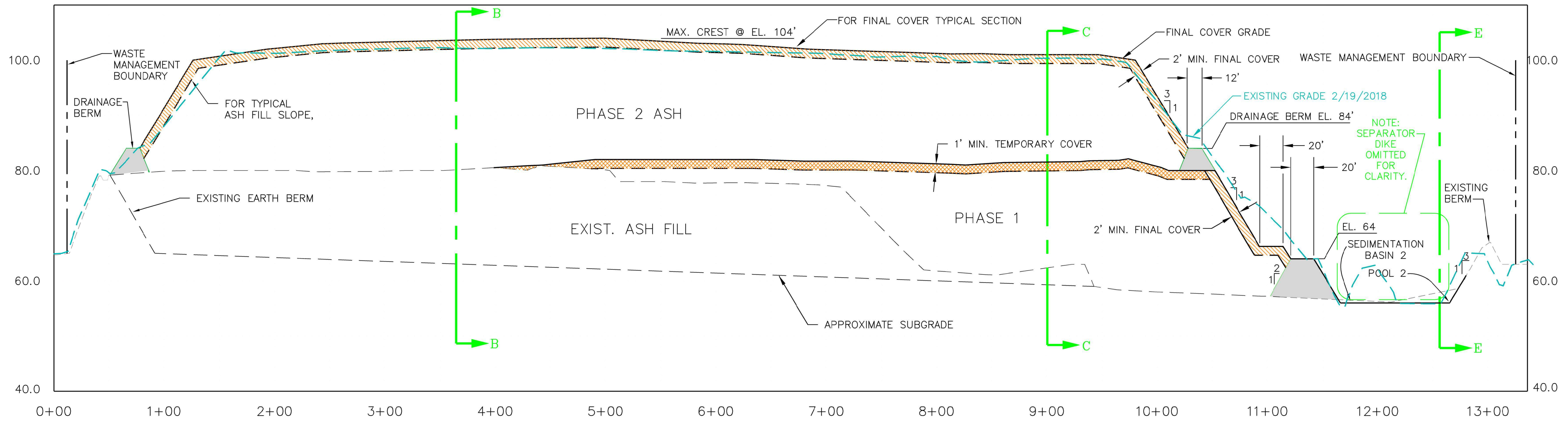
PERMIT DRAWINGS
 GEORGIA POWER COMPANY
 PLANT MCINTOSH COAL COMBUSTION RESIDUALS (CCR)
 INACTIVE LANDFILL NO. 3
 EFFINGHAM, GEORGIA

GEI Consultants 3065 AKERS MILL ROAD, SUITE 235 ATLANTA, GEORGIA 30339

(404) 592-0050
<https://www.geiconsultants.com/>

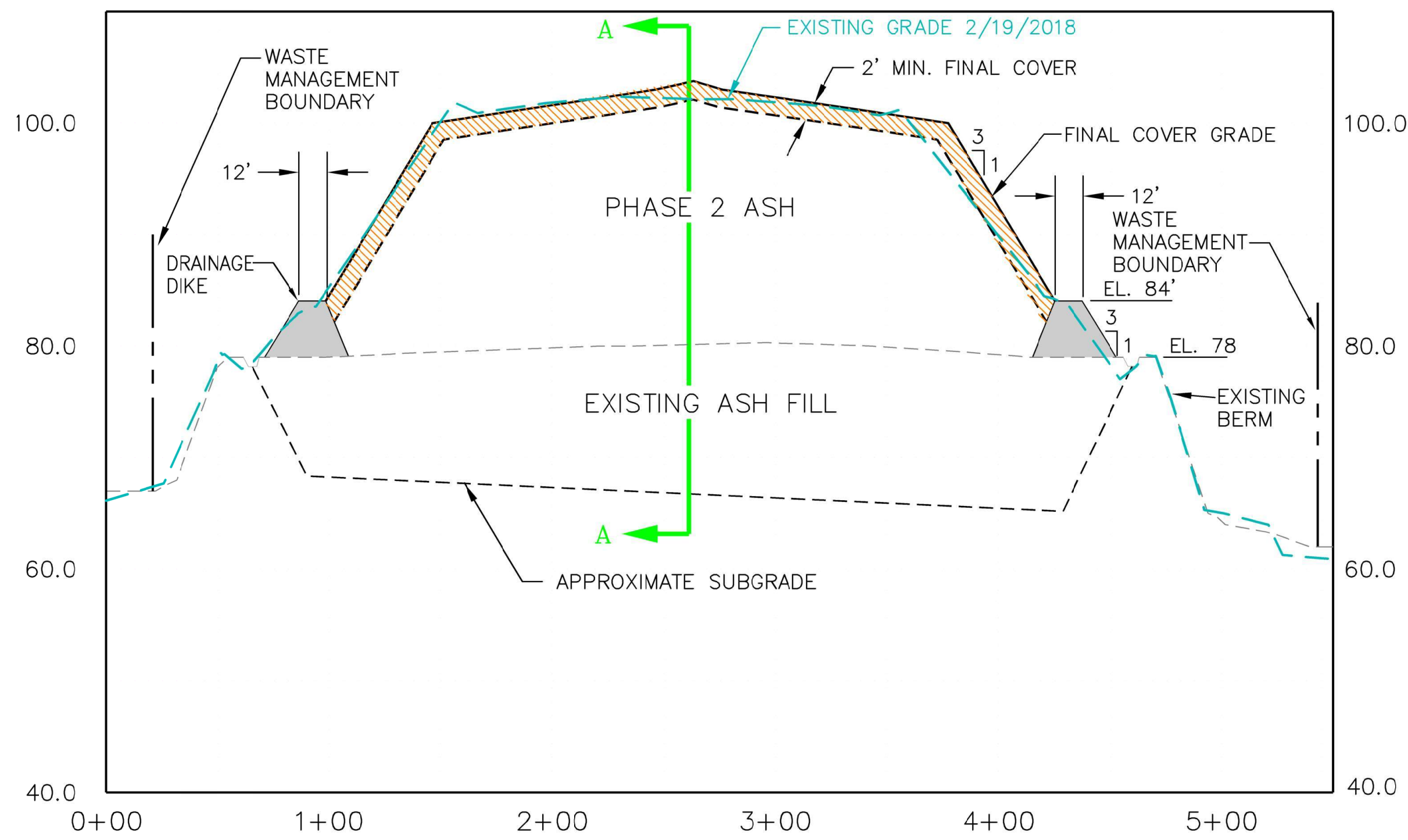
PROJ. NO.	1702944	DWG.	2	EDIT
SCALE	1"=60'			
DATE	NOVEMBER 2022			

SHEET 2 OF 11



LONGITUDINAL SECTION A-A

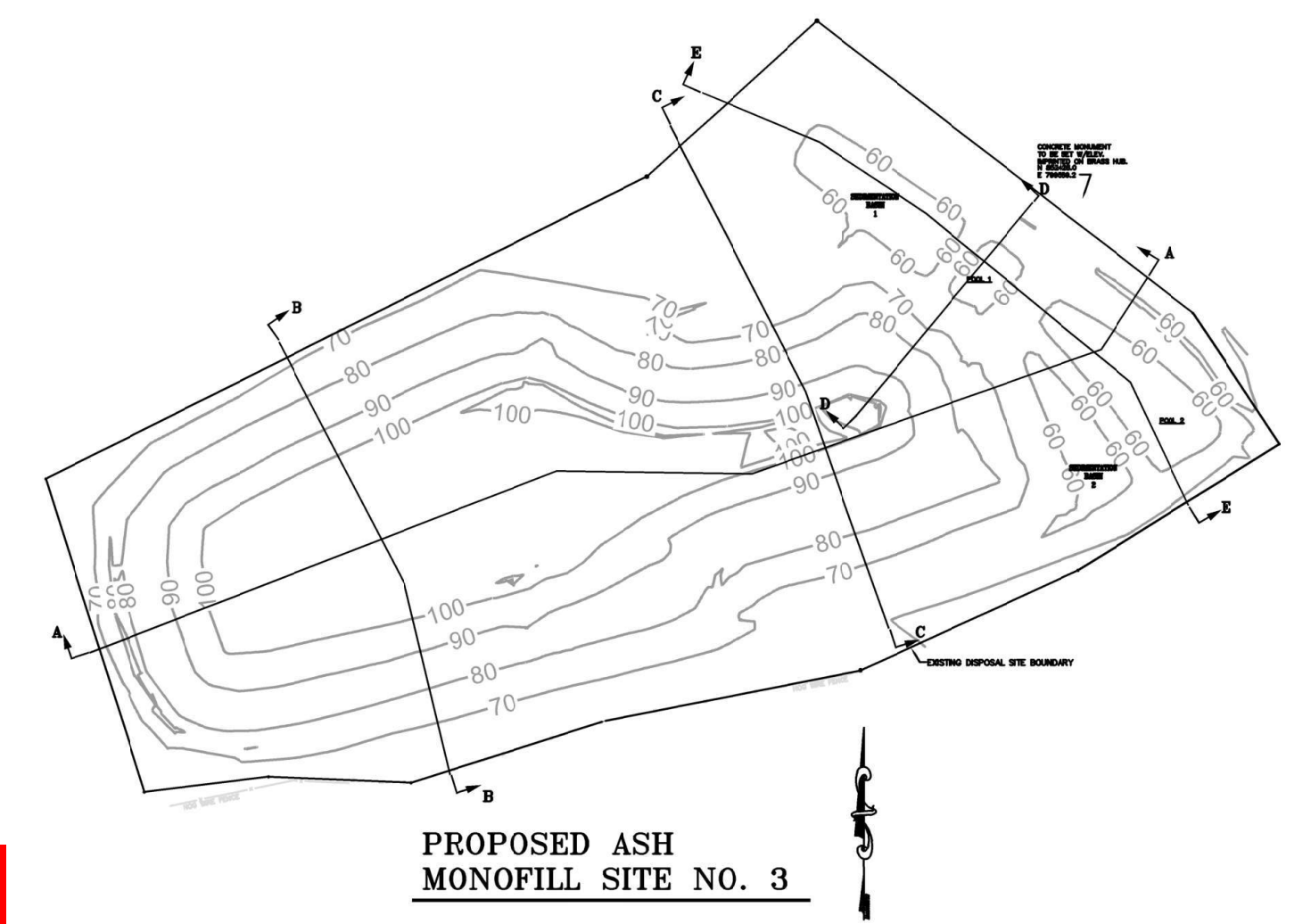
HORIZ 1"=50'
VER 1"=10'



TRANVERSE SECTION B-B

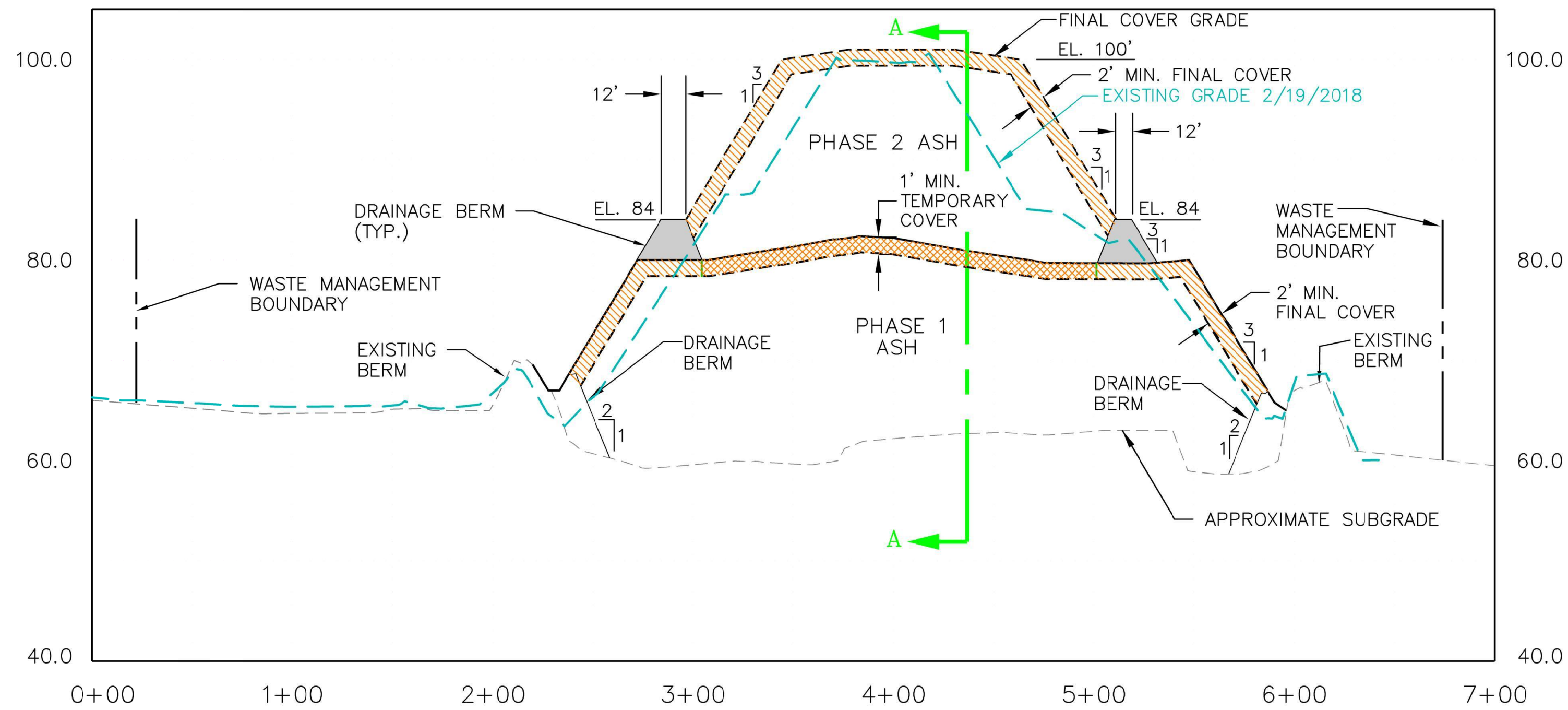
HORIZ 1"=50'
VER 1"=10'

KEY PLAN:
REFERENCE PLAN FOR LONGITUDINAL & TRANSVERSE SECTIONS
(REFERENCE SHEET NO. 2)



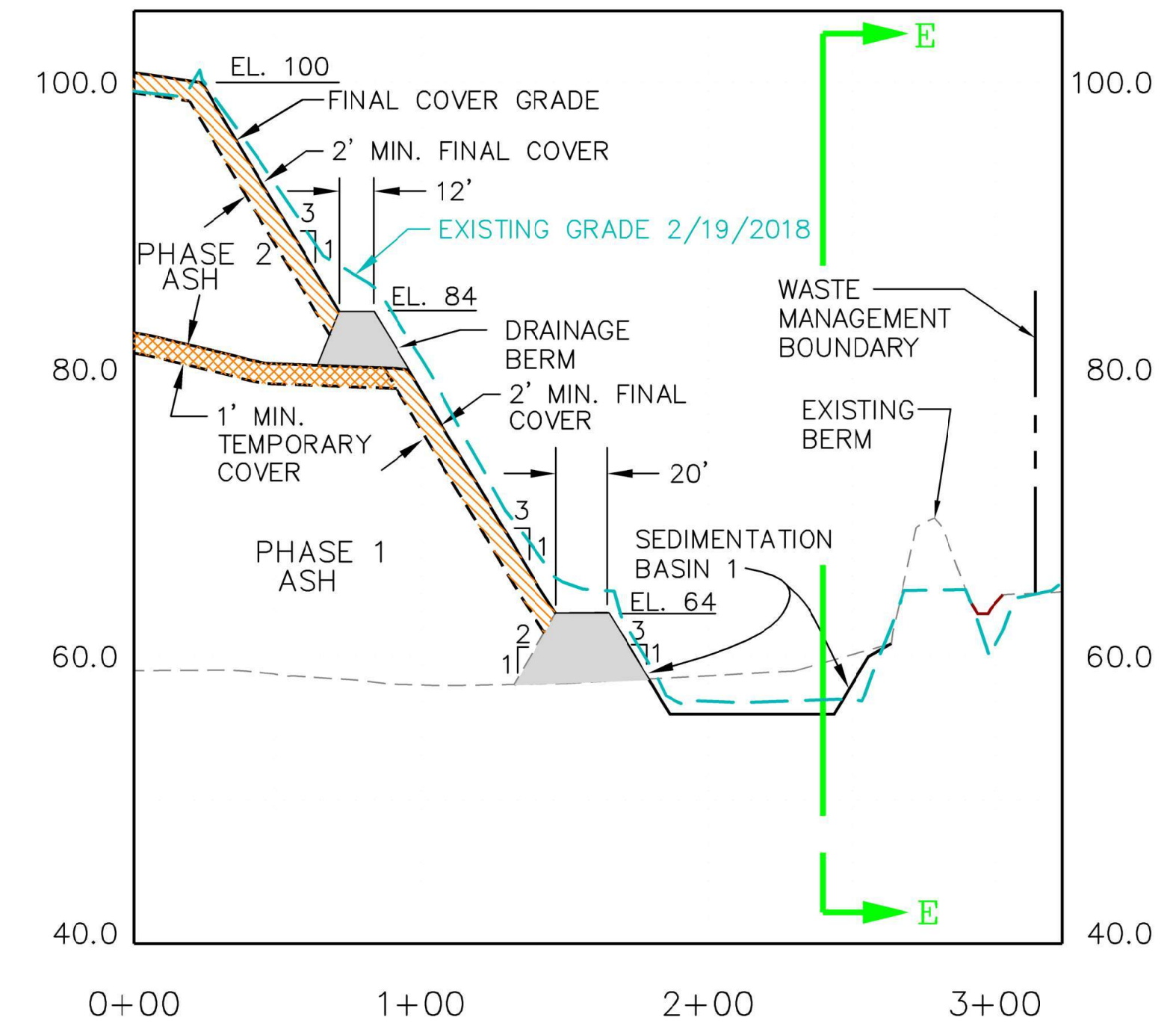
LONGITUDINAL & TRANSVERSE SECTIONS A-A & B-B FOR PHASE 1 & PHASE 2		
PERMIT DRAWINGS GEORGIA POWER COMPANY PLANT MCINTOSH COAL COMBUSTION RESIDUALS (CCR) INACTIVE LANDFILL NO. 3 EFFINGHAM, GEORGIA		
 3065 AKERS MILL ROAD, SUITE 235 ATLANTA, GEORGIA 30339		
PROJ. NO.	1702944	DWG. C-3
SCALE	HORIZ. 1"=50', VERT. 1"=10'	EDIT
DATE	NOVEMBER 2022	SHEET 3 OF 11

- GENERAL NOTES:**
- FOR GENERAL NOTES SEE SHEET NO. 2.
 - FOR COMPLETE LIST OF DRAWING REFERENCES, SEE SHEET 1.



TRANSVERSE SECTION C-C

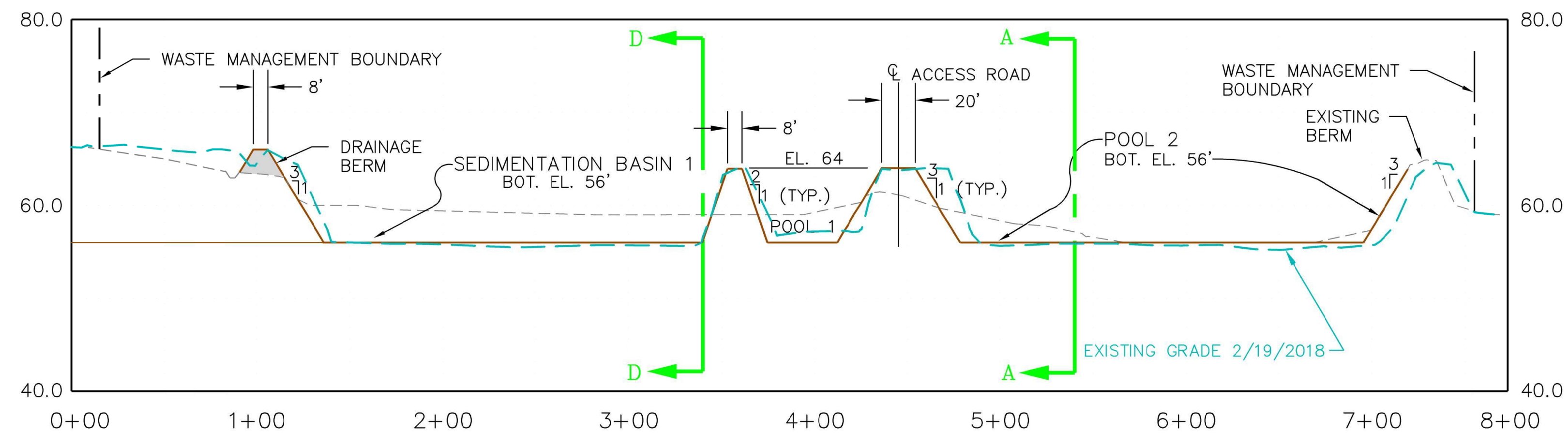
HORIZ 1"=50'
VER 1"=10'



LONGITUDINAL SECTION D-D

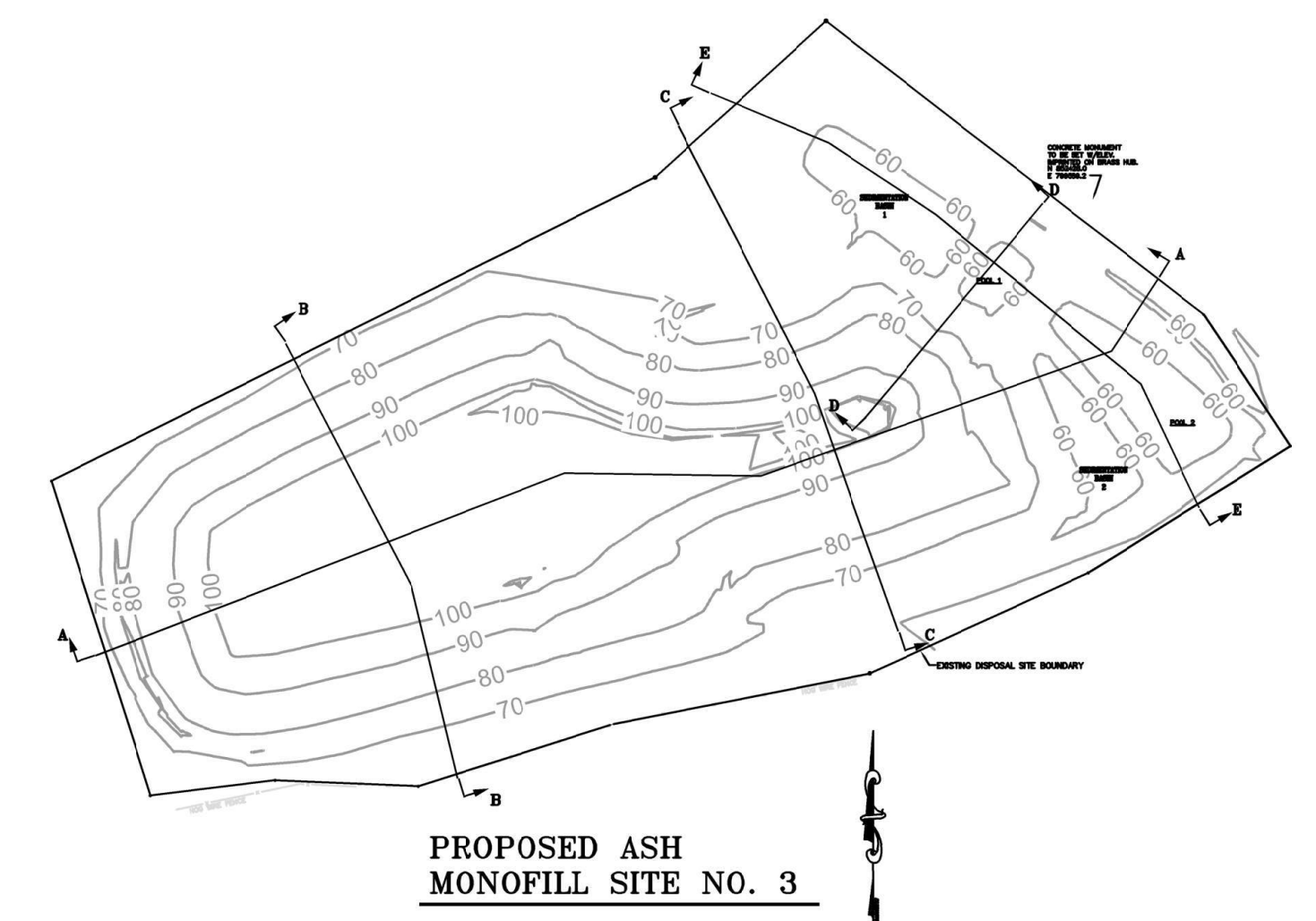
HORIZ 1"=50'
VER 1"=10'

KEY PLAN:
REFERENCE PLAN FOR LONGITUDINAL & TRANSVERSE SECTIONS
(REFERENCE SHEET NO. 2)



TRANVERSE SECTION E-E

HORIZ 1"=50'
VER 1"=10'

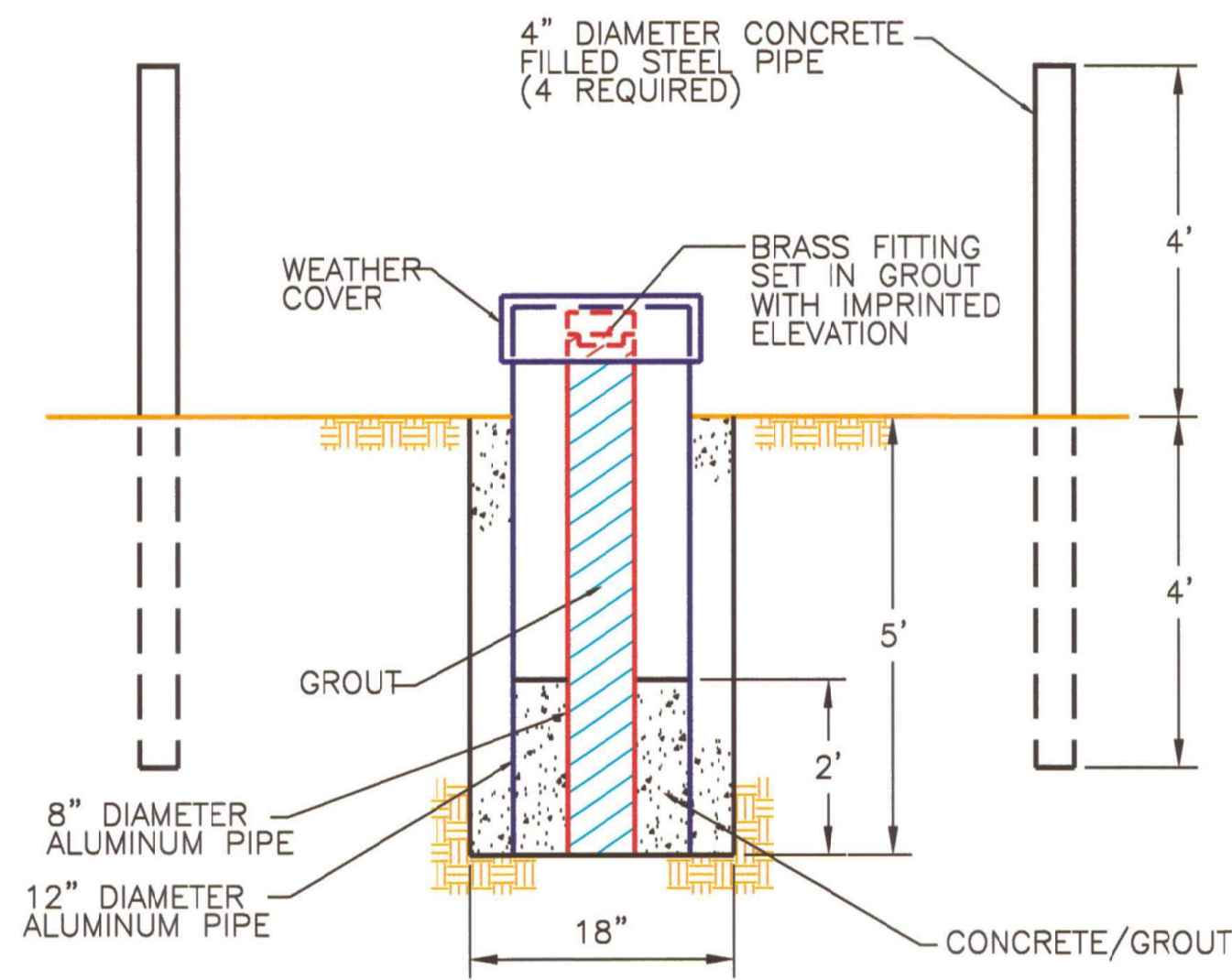


PROPOSED ASH MONOFILL SITE NO. 3

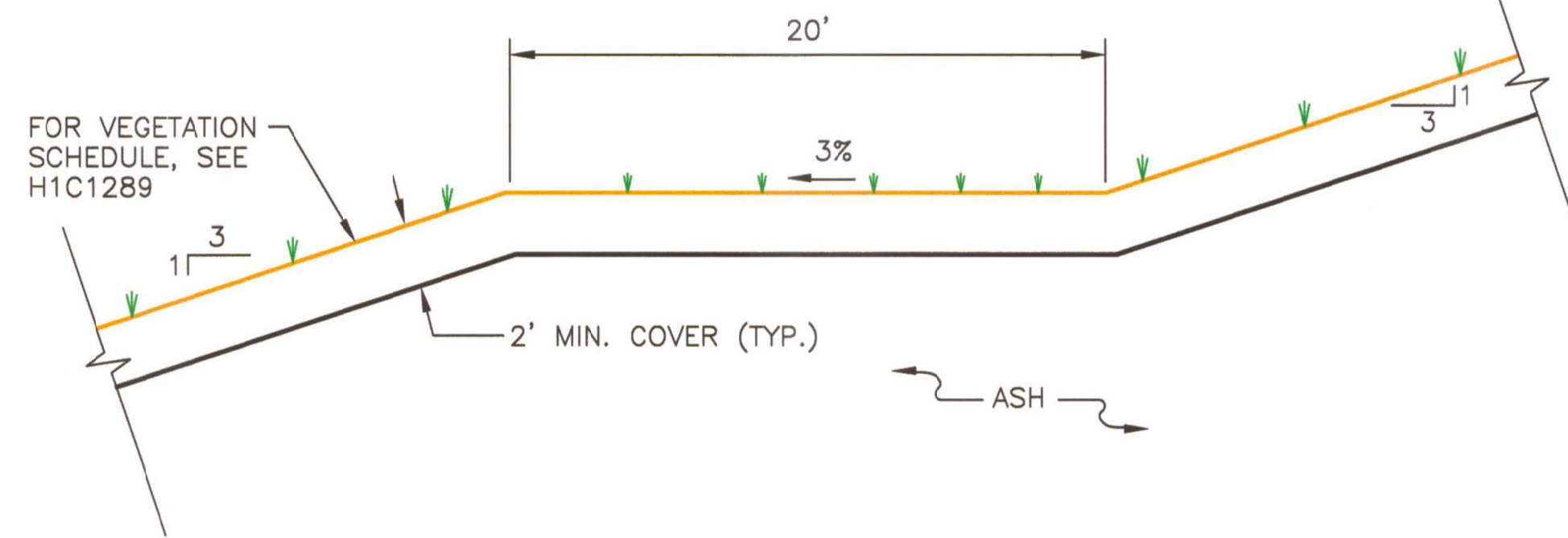
- GENERAL NOTES:**
1. FOR GENERAL NOTES SEE SHEET NO. 2.
 2. FOR COMPLETE LIST OF DRAWING REFERENCES, SEE SHEET 1.



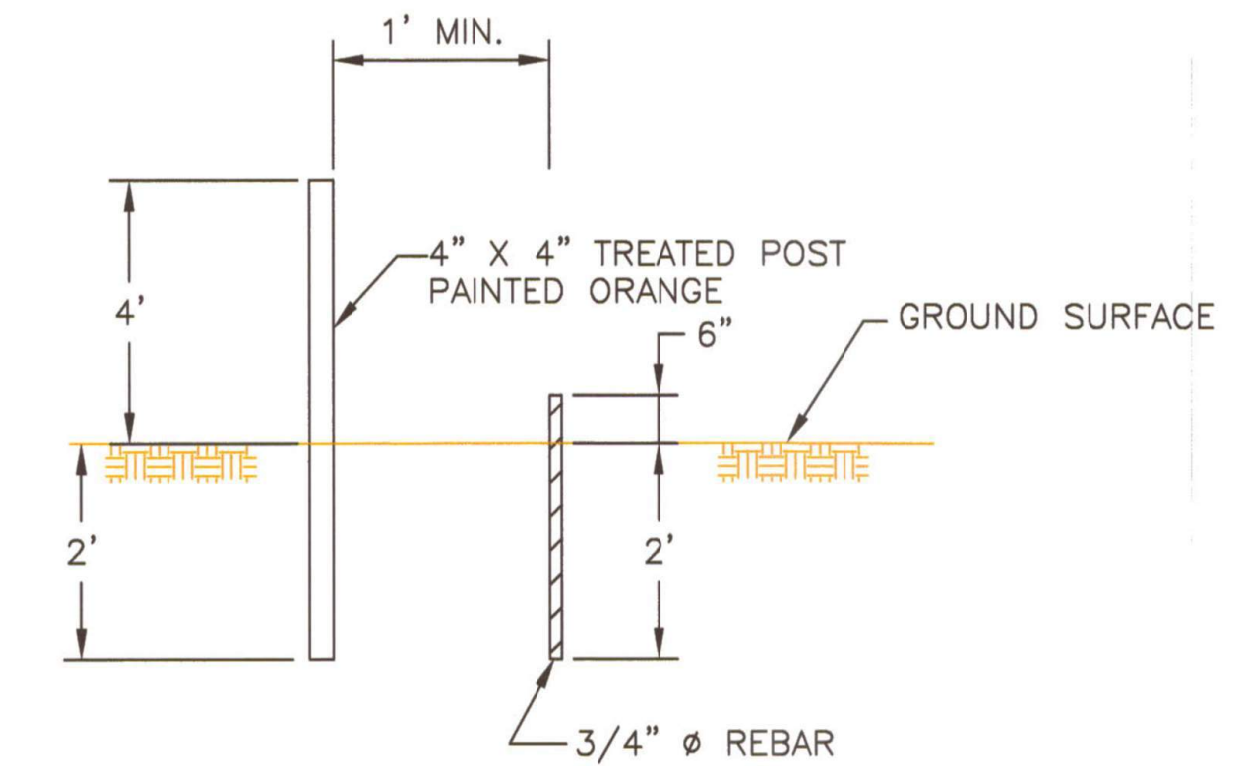
LONGITUDINAL & TRANSVERSE SECTIONS C-C, D-D & E-E FOR PHASE 1 & PHASE 2		
PERMIT DRAWINGS GEORGIA POWER COMPANY PLANT MCINTOSH COAL COMBUSTION RESIDUALS (CCR) INACTIVE LANDFILL NO. 3 EFFINGHAM, GEORGIA		
 GEI Consultants 3065 AKERS MILL ROAD, SUITE 235 ATLANTA, GEORGIA 30339		
PROJ. NO. 1702944	DWG. 4	EDIT
SCALE HORIZ. 1"=50', VERT. 1"=10'		
DATE NOVEMBER 2022		
SHEET 4		OF 11



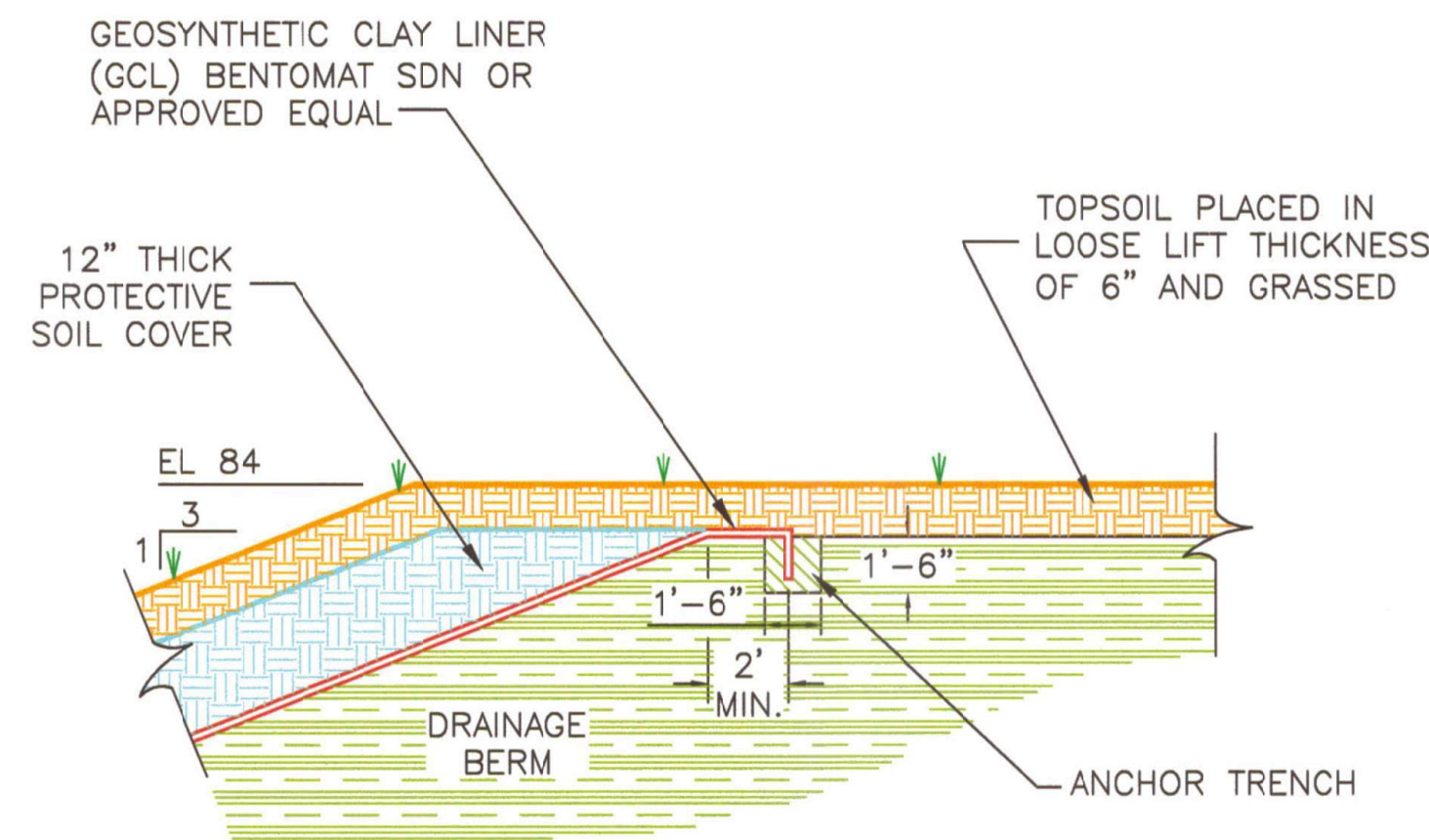
SURVEY CONTROL MONUMENT
NOT TO SCALE



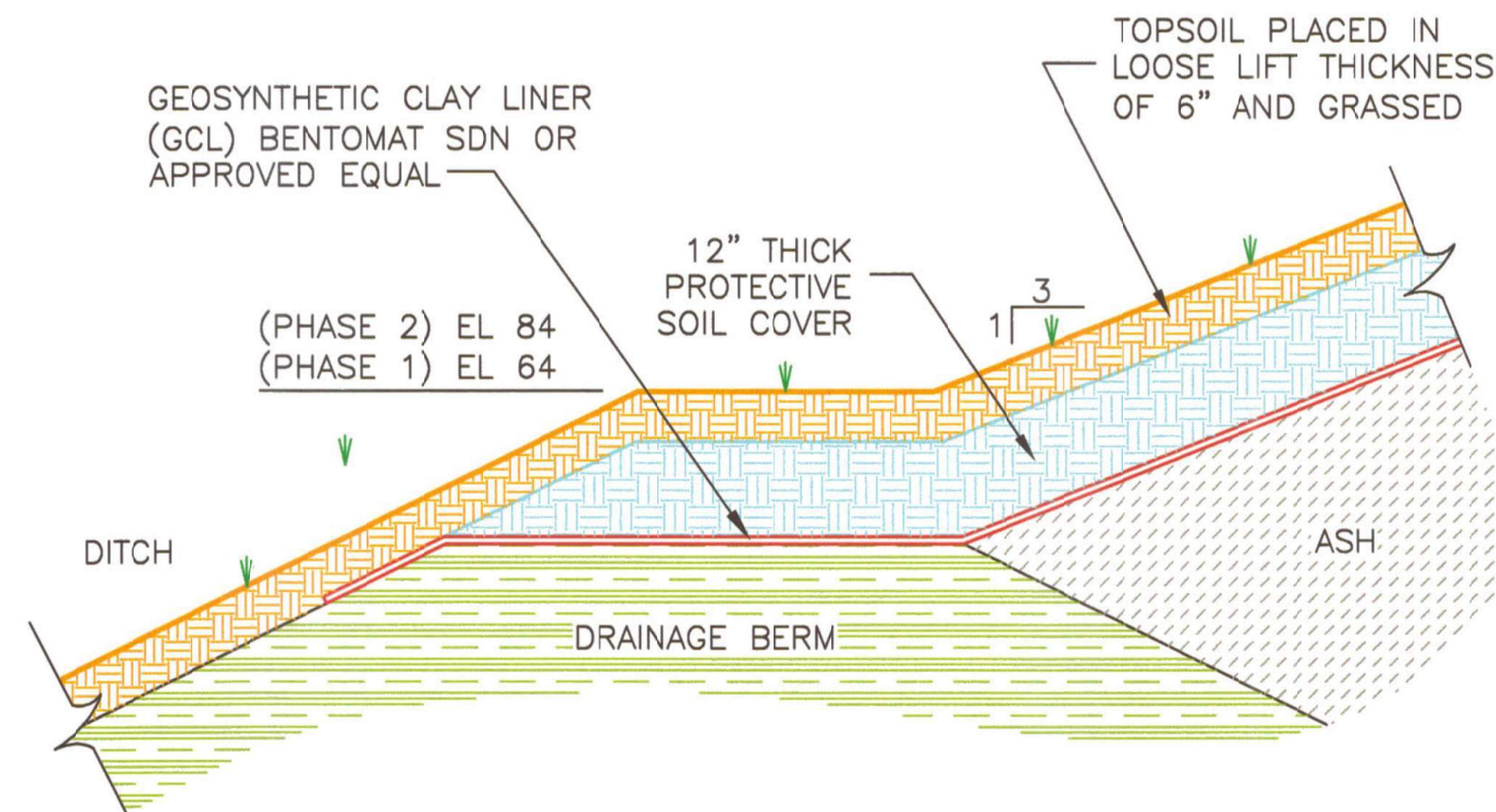
TYPICAL FINAL ACCESS RAMP
SECTION J-J
NOT TO SCALE



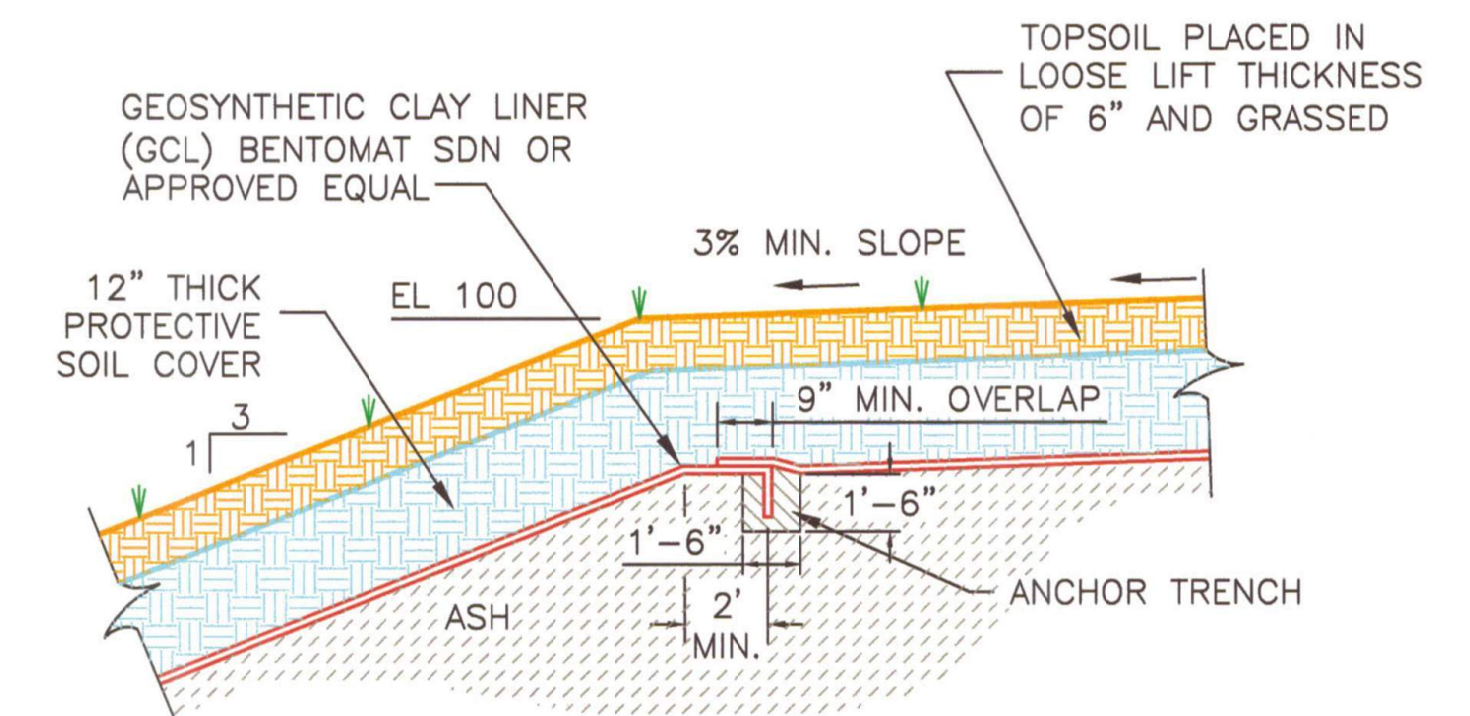
TYPICAL WASTE MANAGEMENT BOUNDARY
AND BUFFER ZONE PIN AND MARKER DETAIL
NOT TO SCALE



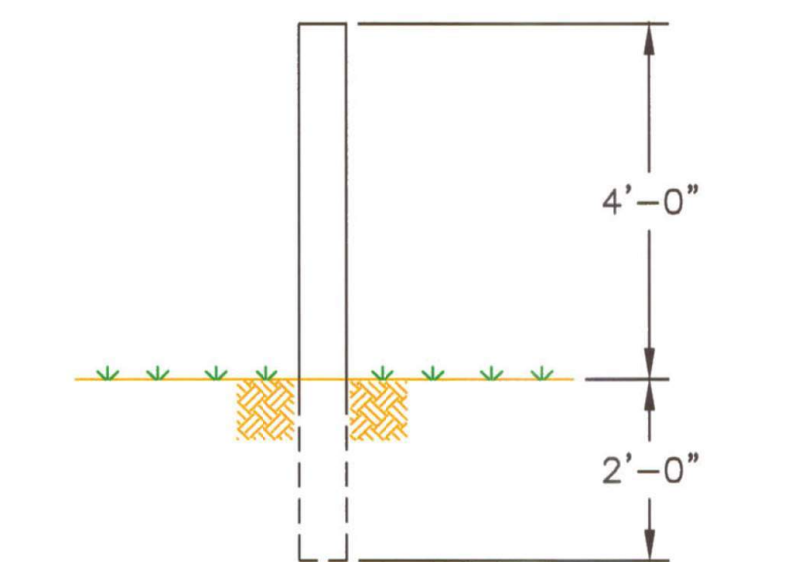
GCL TIE-IN AT DRAINAGE BERM DETAIL
NOT TO SCALE



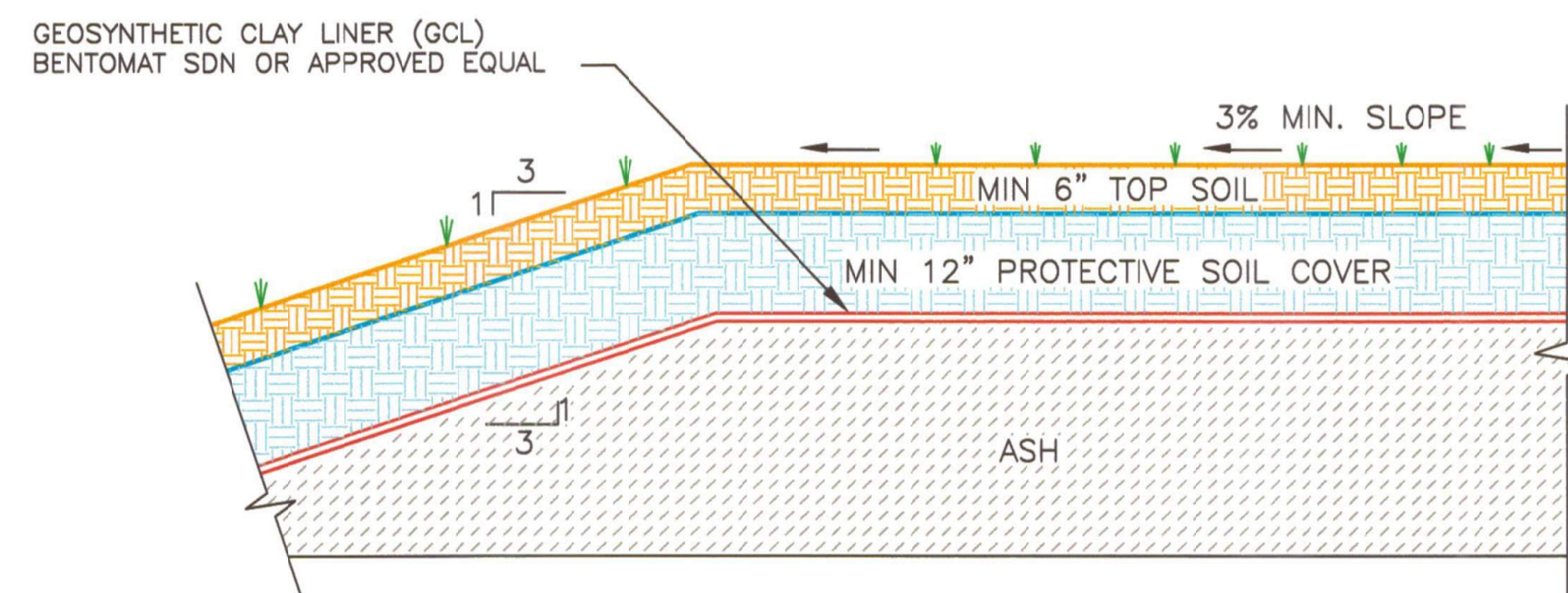
TYPICAL GCL TIE-IN AT DITCH DETAIL
NOT TO SCALE



GCL TIE-IN DETAIL
NOT TO SCALE



TYPICAL GROUNDWATER MONITORING WELL MARKER
NOT TO SCALE



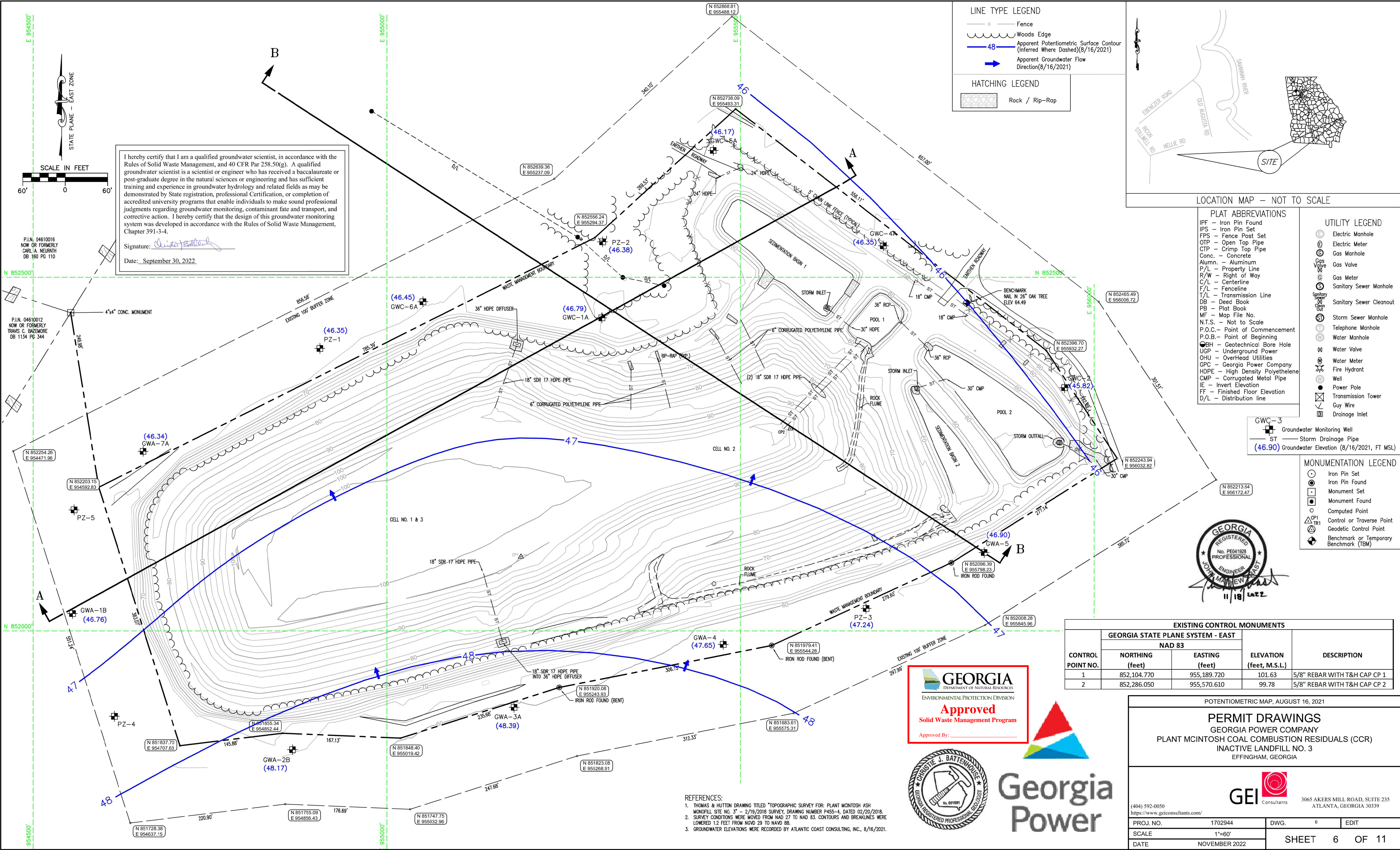
FINAL COVER TYPICAL SECTION
NOT TO SCALE



GENERAL NOTES:

1. FOR GENERAL NOTES SEE SHEET NO. 2.
2. FOR COMPLETE LIST OF DRAWING REFERENCES, SEE SHEET 1.

SECTIONS & DETAILS			
PERMIT DRAWINGS			
GEORGIA POWER COMPANY			
PLANT MCINTOSH COAL COMBUSTION RESIDUALS (CCR)			
INACTIVE LANDFILL NO. 3			
EFFINGHAM, GEORGIA			
		3065 AKERS MILL ROAD, SUITE 235 ATLANTA, GEORGIA 30339	
<small>(404) 592-0050 https://www.geiconsultants.com/</small>			
PROJ. NO.	1702944	DWG.	5
SCALE	NONE		EDIT
DATE	NOVEMBER 2022	SHEET 5 OF 11	



I hereby certify that I am a qualified groundwater scientist, in accordance with the Rules of Solid Waste Management, and 40 CFR Par 258.50(g). A qualified groundwater scientist is a scientist or engineer who has received a baccalaureate or post-graduate degree in the natural sciences or engineering and has sufficient training and experience in groundwater hydrology and related fields as may be demonstrated by State registration, professional Certification, or completion of accredited university programs that enable individuals to make sound professional judgments regarding groundwater monitoring, contaminant fate and transport, and corrective action. I hereby certify that the design of this groundwater monitoring system was developed in accordance with the Rules of Solid Waste Management, Chapter 391-3-4.

Signature: *Christie J. Battinose*

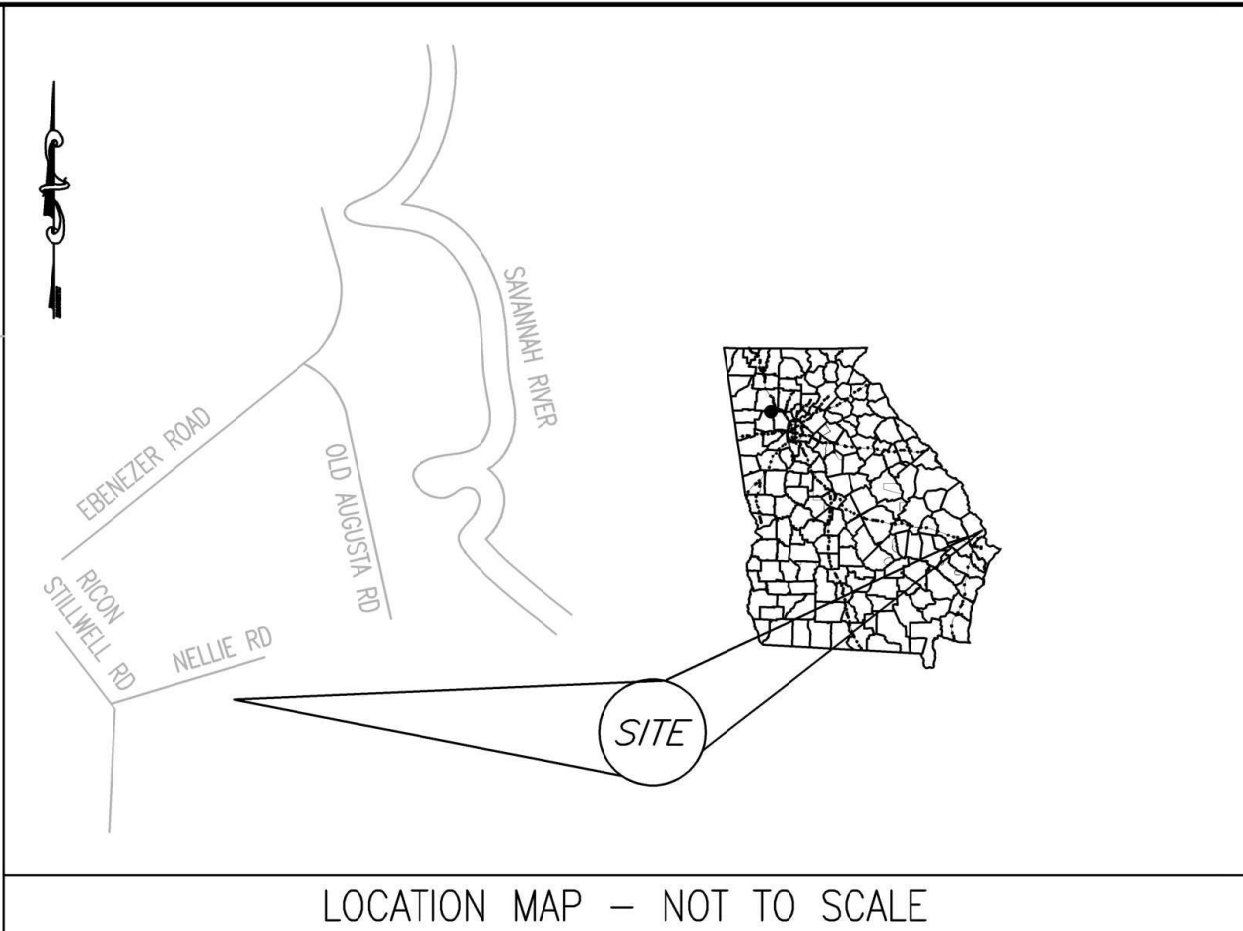
Date: September 30, 2022

LINE TYPE LEGEND

- x — Fence
- ~ Woods Edge
- 48 — Apparent Potentiometric Surface Contour (Inferred Where Dashed)(8/16/2021)
- Apparent Groundwater Flow Direction(8/16/2021)

HATCHING LEGEND

- Rock / Rip-Rap



PLAT ABBREVIATIONS

- IPF - Iron Pin Found
- IPS - Iron Pin Set
- FPS - Fence Post Set
- OTP - Open Top Pipe
- CTP - Crimp Top Pipe
- Conc. - Concrete
- Alum. - Aluminum
- P/L - Property Line
- R/W - Right of Way
- C/L - Centerline
- F/L - Fenceline
- T/L - Transmission Line
- DB - Deed Book
- PB - Plat Book
- MF - Map File No.
- N.T.S. - Not to Scale
- P.O.C. - Point of Commencement
- P.O.B. - Point of Beginning
- GBH - Geotechnical Bore Hole
- UGP - Underground Power
- OHU - Overhead Utilities
- GPC - Georgia Power Company
- HDPE - High Density Polyethylene
- CMP - Corrugated Metal Pipe
- IE - Invert Elevation
- FF - Finished Floor Elevation
- D/L - Distribution Line

UTILITY LEGEND

- Electric Manhole
- Electric Meter
- Gas Manhole
- Gas Valve
- Gas Meter
- Sanitary Sewer Manhole
- Sanitary Sewer Cleanout
- Storm Sewer Manhole
- Telephone Manhole
- Water Manhole
- Water Valve
- Water Meter
- Fire Hydrant
- Well
- Power Pole
- Transmission Tower
- Guy Wire
- Drainage Inlet

MONUMENTATION LEGEND

- Iron Pin Set
- Iron Pin Found
- Monument Set
- Monument Found
- Computed Point
- Control or Traverse Point
- Geodetic Control Point
- Benchmark or Temporary Benchmark (TBM)

EXISTING CONTROL MONUMENTS

CONTROL POINT NO.	GEORGIA STATE PLANE SYSTEM - EAST NAD 83		ELEVATION (feet, M.S.L.)	DESCRIPTION
	NORTHING (feet)	EASTING (feet)		
1	852,104.770	955,189.720	101.63	5/8" REBAR WITH T&H CAP CP 1
2	852,286.050	955,570.610	99.78	5/8" REBAR WITH T&H CAP CP 2

GEORGIA
DEPARTMENT OF NATURAL RESOURCES
ENVIRONMENTAL PROTECTION DIVISION

Approved
Solid Waste Management Program

Approved By: _____



- REFERENCES:**
- THOMAS & HUTTON DRAWING TITLED "TOPOGRAPHIC SURVEY FOR: PLANT MCINTOSH ASH MONOFILL SITE NO. 3" - 2/19/2018 SURVEY, DRAWING NUMBER P455-4, DATED 02/20/2018.
 - SURVEY CONDITIONS WERE MOVED FROM NAD 27 TO NAD 83. CONTOURS AND BREAKLINES WERE LOWERED 12 FEET FROM NGVD 29 TO NAVD 88.
 - GROUNDWATER ELEVATIONS WERE RECORDED BY ATLANTIC COAST CONSULTING, INC., 8/16/2021.

POTENTIOMETRIC MAP, AUGUST 16, 2021

PERMIT DRAWINGS
GEORGIA POWER COMPANY
PLANT MCINTOSH COAL COMBUSTION RESIDUALS (CCR)
INACTIVE LANDFILL NO. 3
EFFINGHAM, GEORGIA

GEI Consultants
3065 AKERS MILL ROAD, SUITE 235
ATLANTA, GEORGIA 30339

(404) 592-0050
<https://www.geiconsultants.com/>

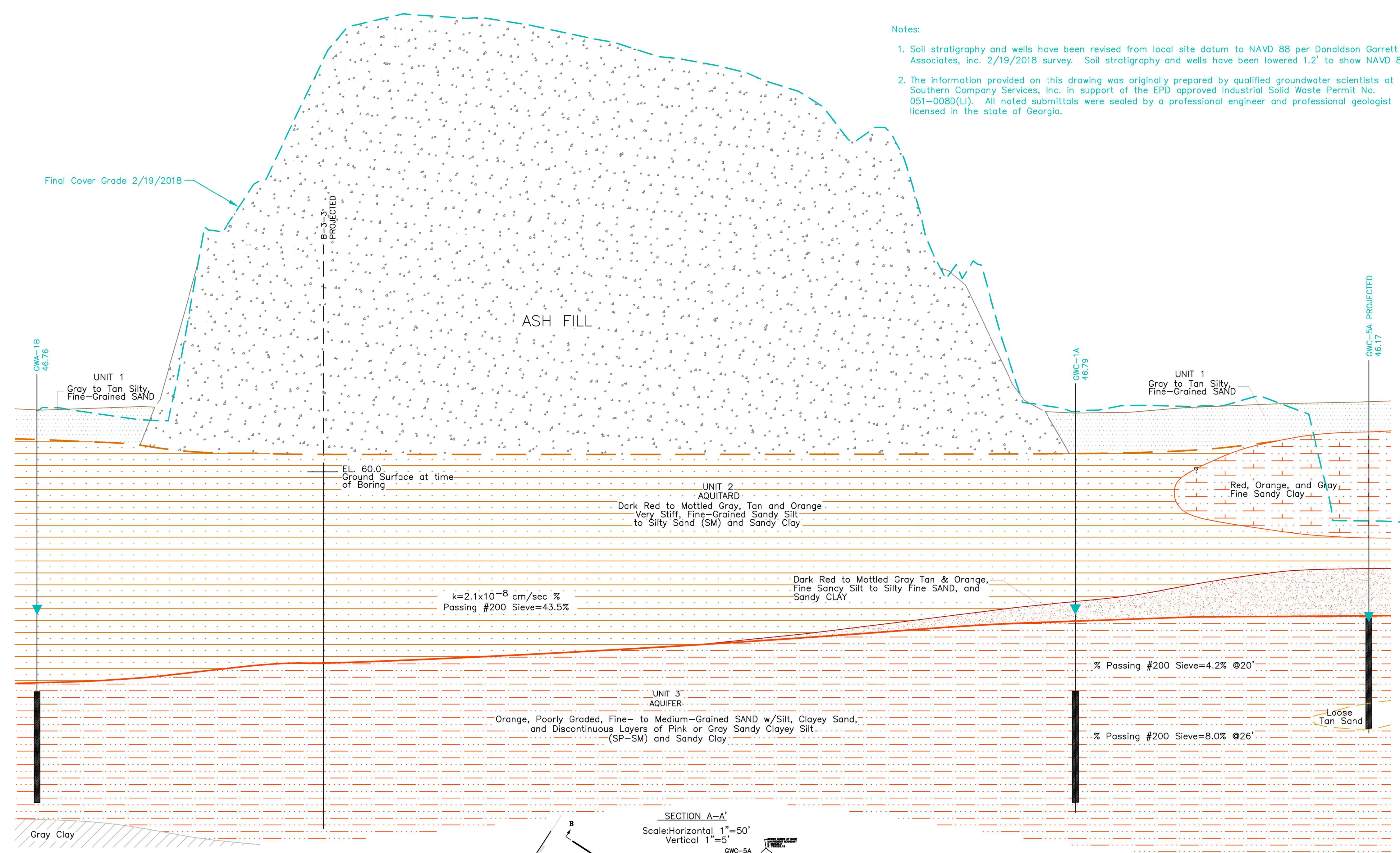
PROJ. NO.	1702944	DWG.	6	EDIT
SCALE	1"=60'			
DATE	NOVEMBER 2022			

SHEET 6 OF 11

A
EL 100
EL 95
EL 90
EL 85
EL 80
EL 75
EL 70
EL 65
EL 60
EL 55
EL 50
EL 45
EL 40
EL 35
EL 30

A
EL 100
EL 95
EL 90
EL 85
EL 80
EL 75
EL 70
EL 65
EL 60
EL 55
EL 50
EL 45
EL 40
EL 35
EL 30

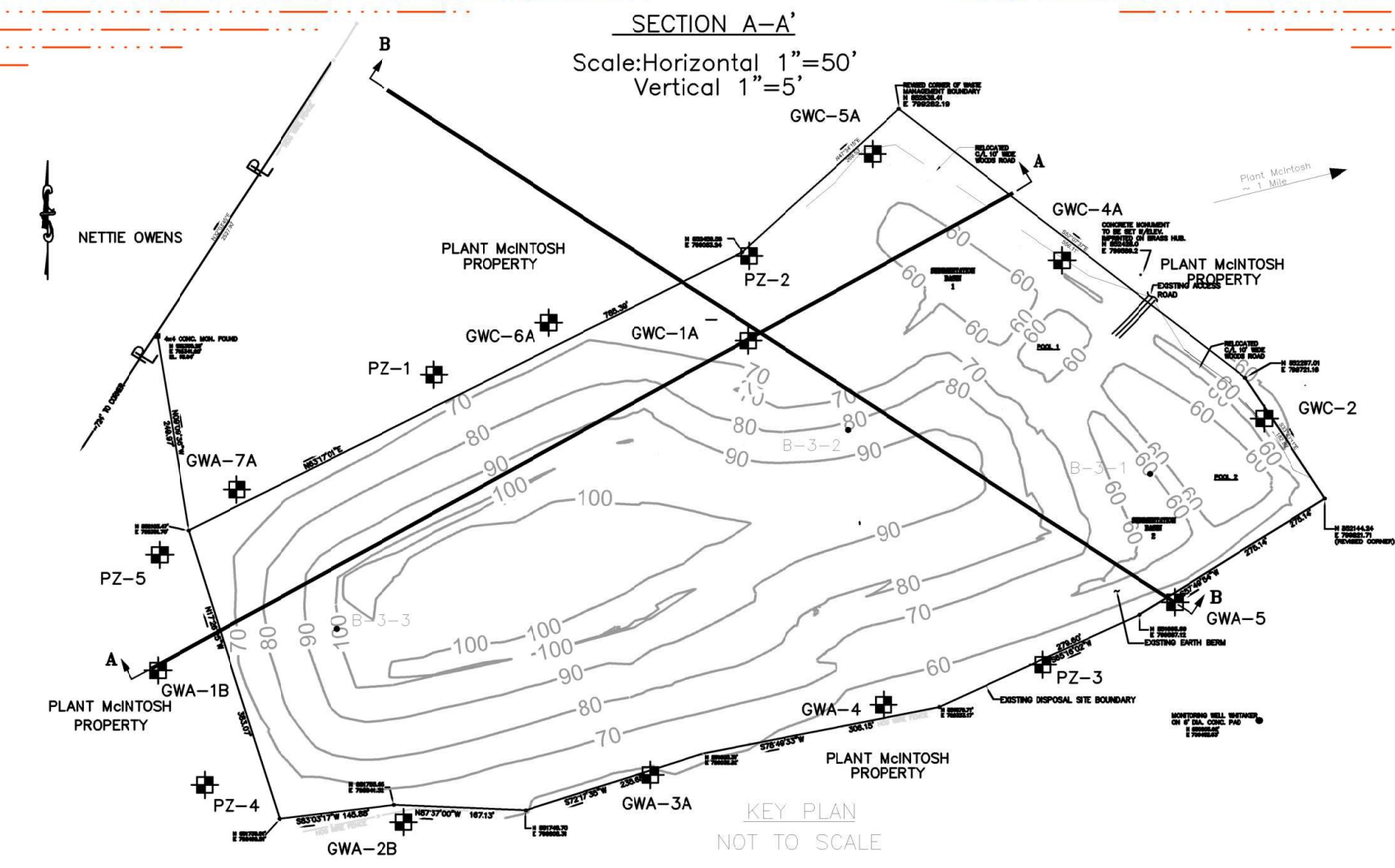
- Notes:
1. Soil stratigraphy and wells have been revised from local site datum to NAVD 88 per Donaldson Garrett & Associates, Inc. 2/19/2018 survey. Soil stratigraphy and wells have been lowered 1.2' to show NAVD 88.
 2. The information provided on this drawing was originally prepared by qualified groundwater scientists at Southern Company Services, Inc. in support of the EPD approved Industrial Solid Waste Permit No. 051-008D(LI). All noted submittals were sealed by a professional engineer and professional geologist licensed in the state of Georgia.




I hereby certify that I am a qualified groundwater scientist, in accordance with the Rules of Solid Waste Management, and 40 CFR Par 258.50(g). A qualified groundwater scientist is a scientist or engineer who has received a baccalaureate or post-graduate degree in the natural sciences or engineering and has sufficient training and experience in groundwater hydrology and related fields as may be demonstrated by State registration, professional Certification, or completion of accredited university programs that enable individuals to make sound professional judgments regarding groundwater monitoring, contaminant fate and transport, and corrective action. I hereby certify that the design of this groundwater monitoring system was developed in accordance with the Rules of Solid Waste Management, Chapter 391-3-4.

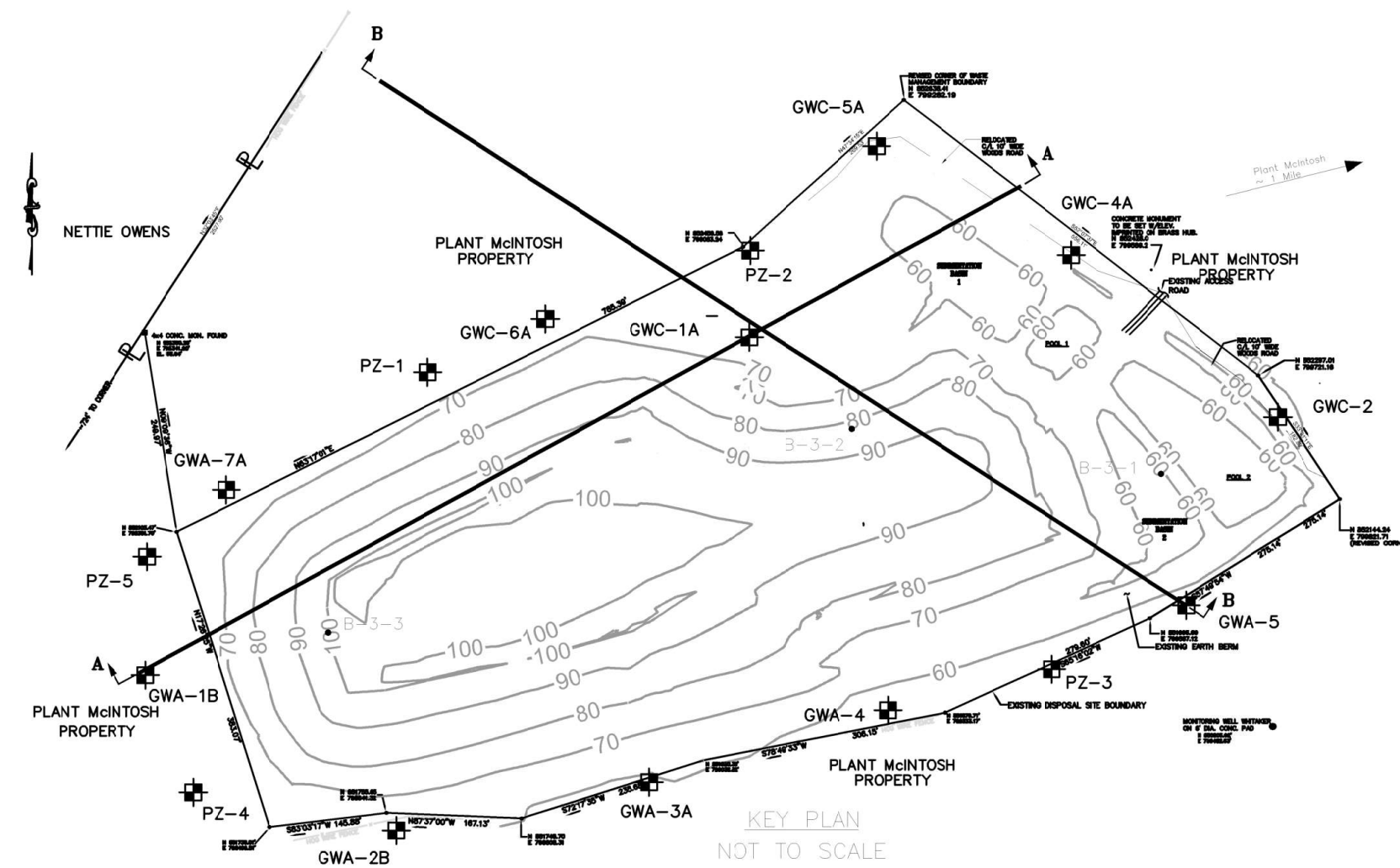
Signature: *Christie J. Battenhouse*

Date: September 30, 2022

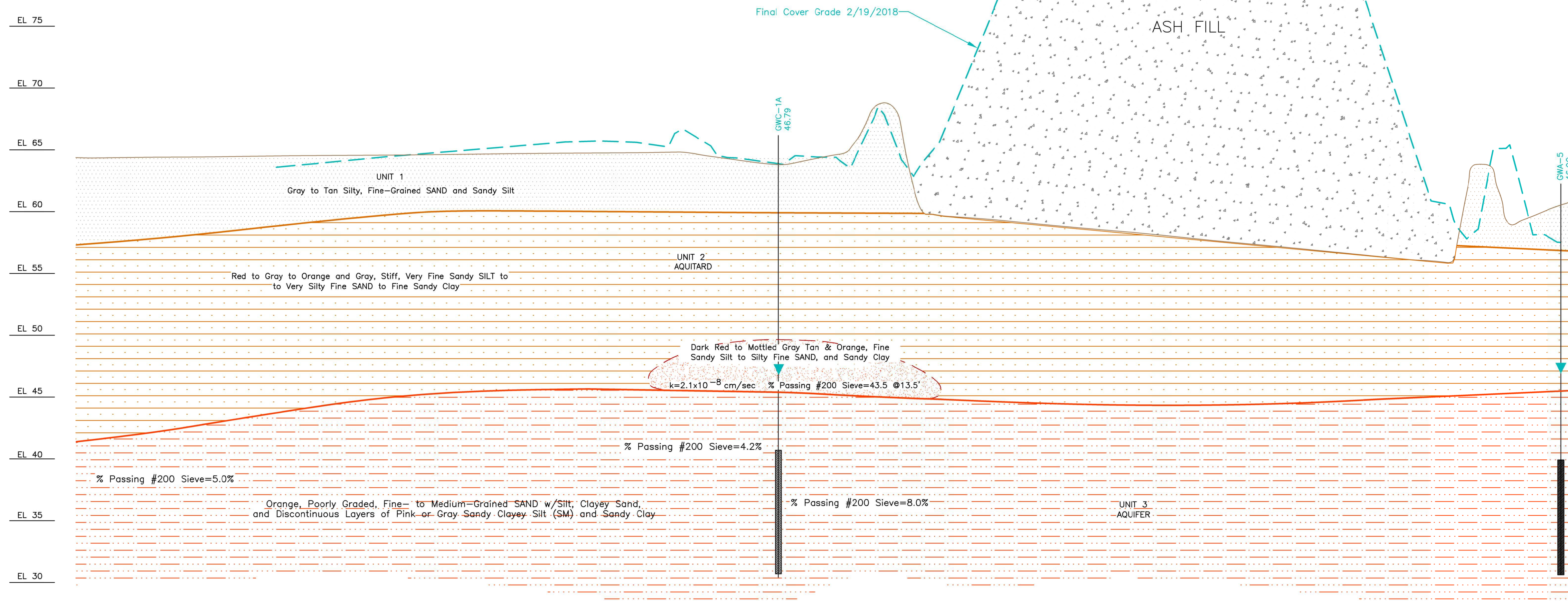


TOPOGRAPHIC & POTENTIOMETRIC CROSS SECTION A-A'		
PERMIT DRAWINGS GEORGIA POWER COMPANY PLANT MCINTOSH COAL COMBUSTION RESIDUALS (CCR) INACTIVE LANDFILL NO. 3 EFFINGHAM, GEORGIA		
 3065 AKERS MILL ROAD, SUITE 235 ATLANTA, GEORGIA 30339		
(404) 592-0050 https://www.geiconsultants.com/	PROJ. NO. 1702944	DWG. 7
SCALE HORIZ. 1"=50', VERT. 1"=5'	DATE NOVEMBER 2022	EDIT
SHEET 7 OF 11		

B
EL 100
EL 95
EL 90
EL 85
EL 80
EL 75
EL 70
EL 65
EL 60
EL 55
EL 50
EL 45
EL 40
EL 35
EL 30



B
EL 100
EL 95
EL 90
EL 85
EL 80
EL 75
EL 70
EL 65
EL 60
EL 55
EL 50
EL 45
EL 40
EL 35
EL 30



Notes:

1. Soil stratigraphy and wells have been revised from local site datum to NAVD 88 per Donaldson Garrett & Associates, Inc. 2/19/2018 survey. Soil stratigraphy and wells have been lowered 1.2' to show NAVD 88.
2. The information provided on this drawing was originally prepared by qualified groundwater scientists at Southern Company Services, Inc. in support of the EPD approved Industrial Solid Waste Permit No. 051-008D(L). All noted submittals were sealed by a professional engineer and professional geologist licensed in the state of Georgia.

SECTION B-B'
Scale: Horizontal 1"=50'
Vertical 1"=5'



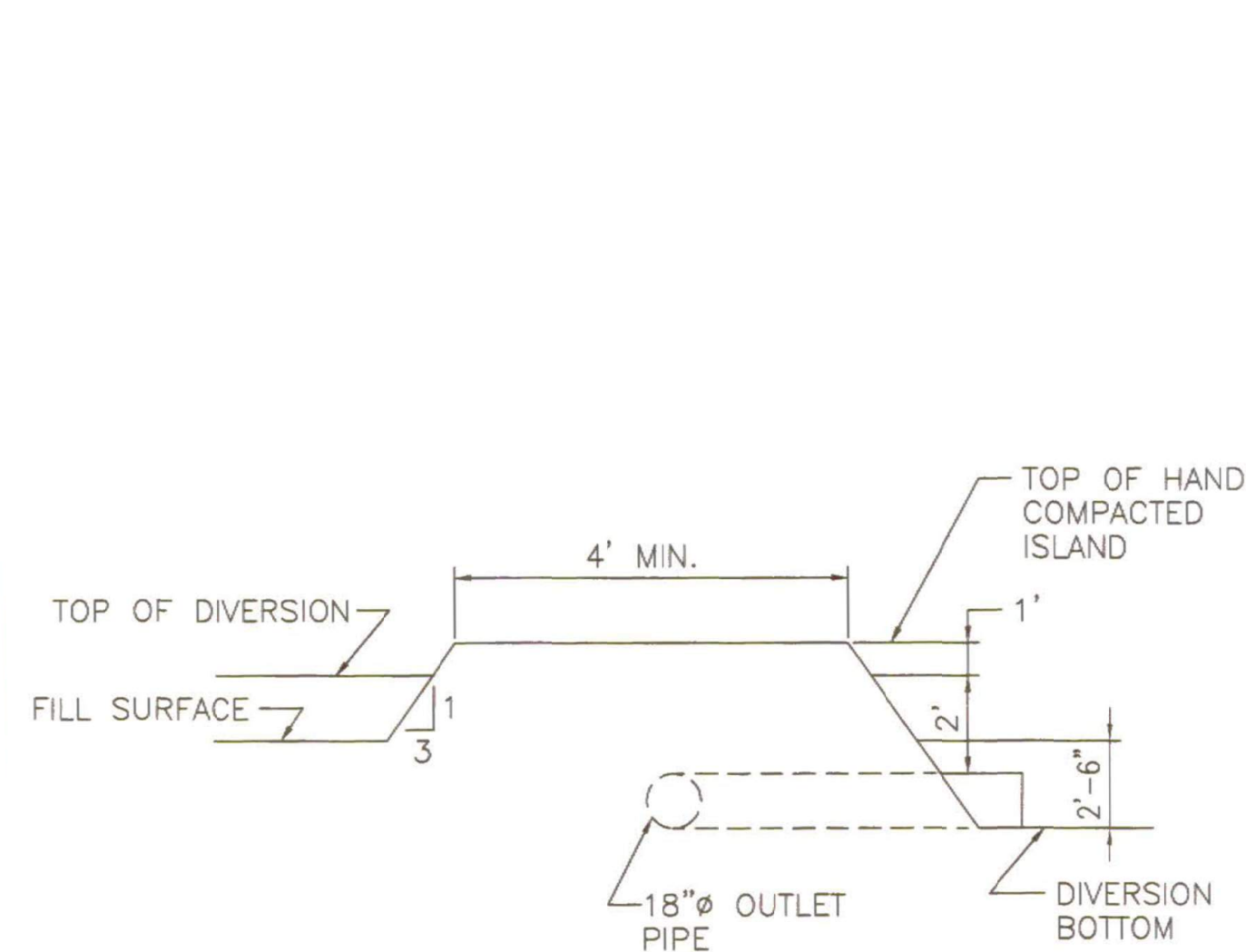
I hereby certify that I am a qualified groundwater scientist, in accordance with the Rules of Solid Waste Management, and 40 CFR Par 258.50(g). A qualified groundwater scientist is a scientist or engineer who has received a baccalaureate or post-graduate degree in the natural sciences or engineering and has sufficient training and experience in groundwater hydrology and related fields as may be demonstrated by State registration, professional Certification, or completion of accredited university programs that enable individuals to make sound professional judgments regarding groundwater monitoring, contaminant fate and transport, and corrective action. I hereby certify that the design of this groundwater monitoring system was developed in accordance with the Rules of Solid Waste Management, Chapter 391-3-4.

Signature: *Christie J. Battenhouse*

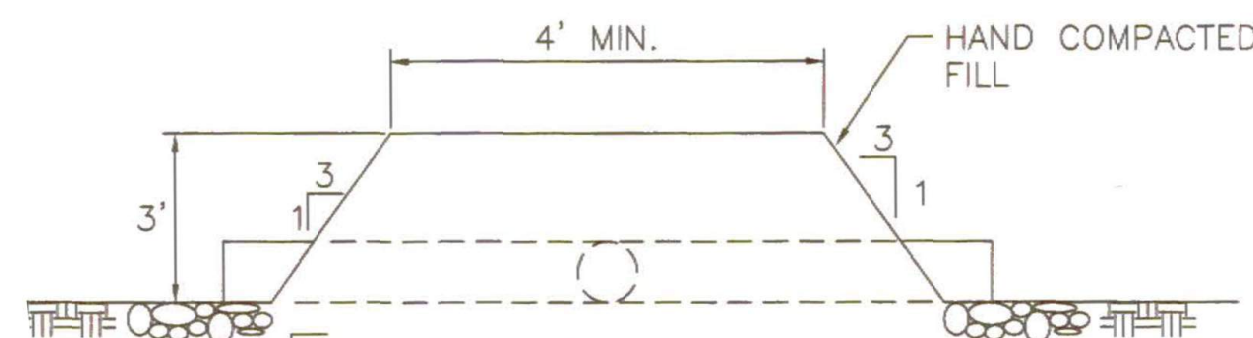
Date: September 30, 2022



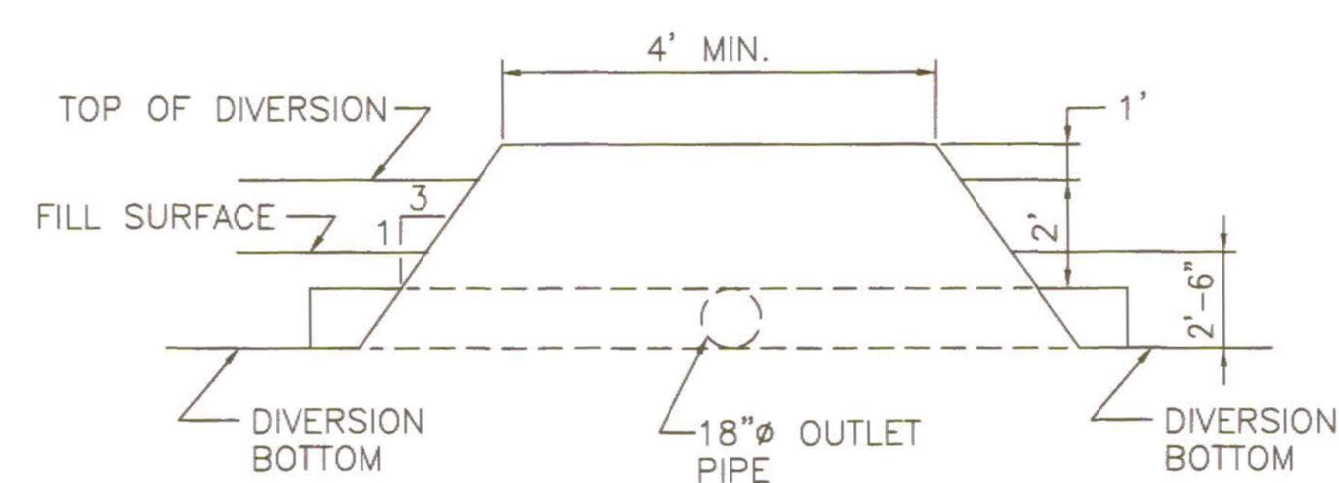
TOPOGRAPHIC & POTENTIOMETRIC CROSS SECTION B-B		
PERMIT DRAWINGS GEORGIA POWER COMPANY PLANT MCINTOSH COAL COMBUSTION RESIDUALS (CCR) INACTIVE LANDFILL NO. 3 EFFINGHAM, GEORGIA		
		3065 AKERS MILL ROAD, SUITE 235 ATLANTA, GEORGIA 30339
(404) 592-0050 https://www.geiconsultants.com/	PROJ. NO. 1702944	DWG. 8 EDIT
SCALE HORIZ. 1"=50', VERT. 1"=5'	DATE NOVEMBER 2022	SHEET 8 OF 11



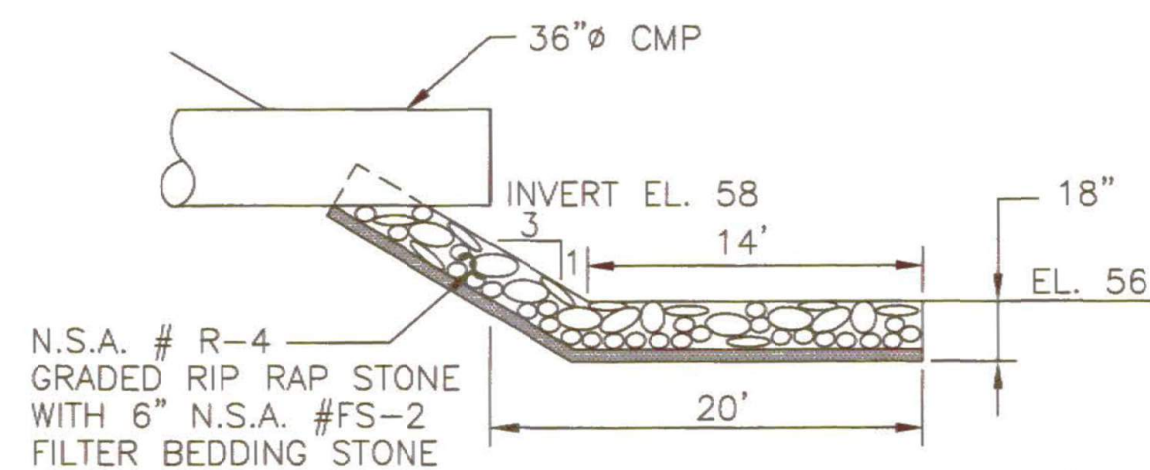
SECTION 1-1 (F7)
NOT TO SCALE



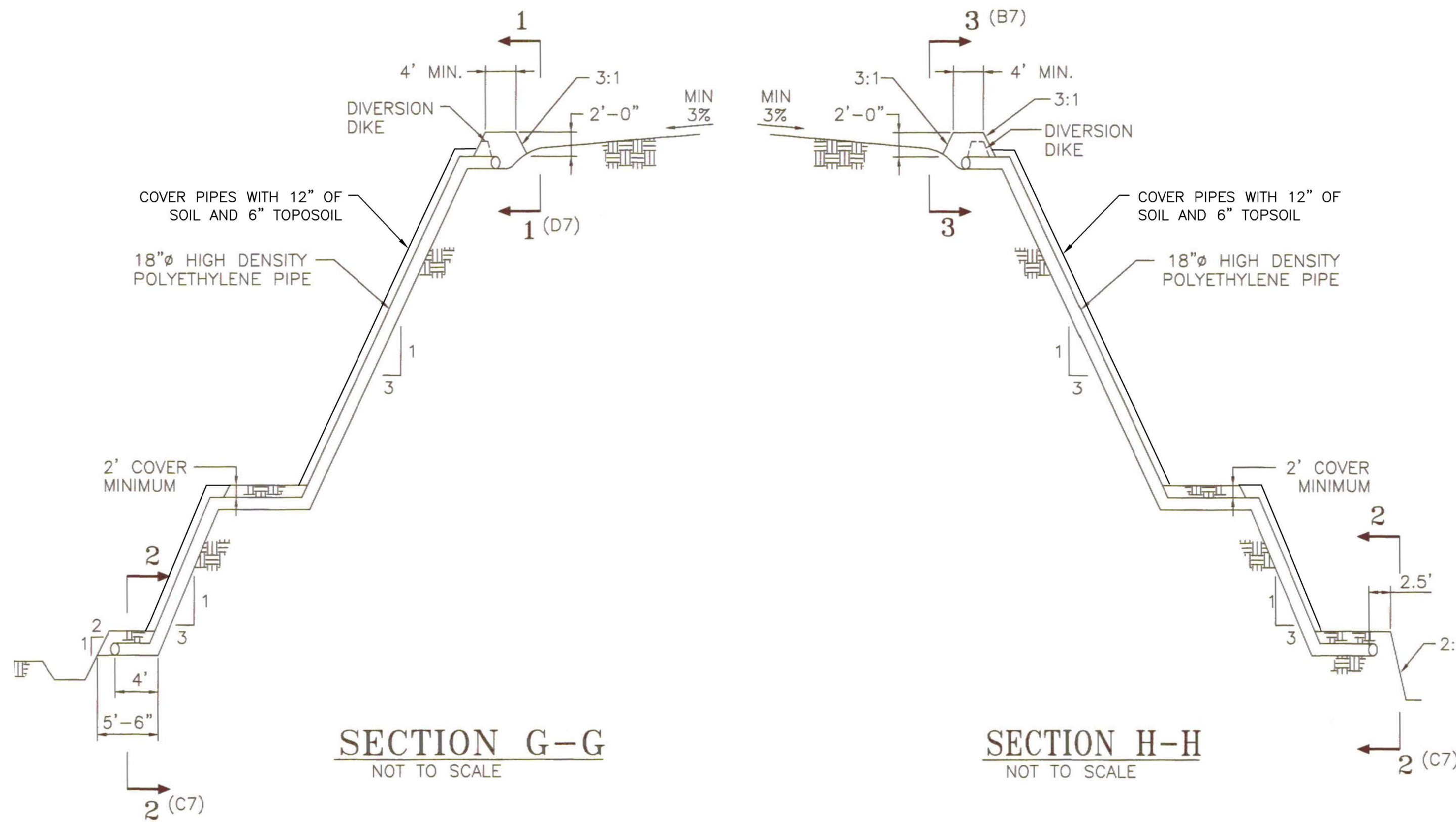
SECTION 2-2
NOT TO SCALE



SECTION 3-3 (F6)
NOT TO SCALE

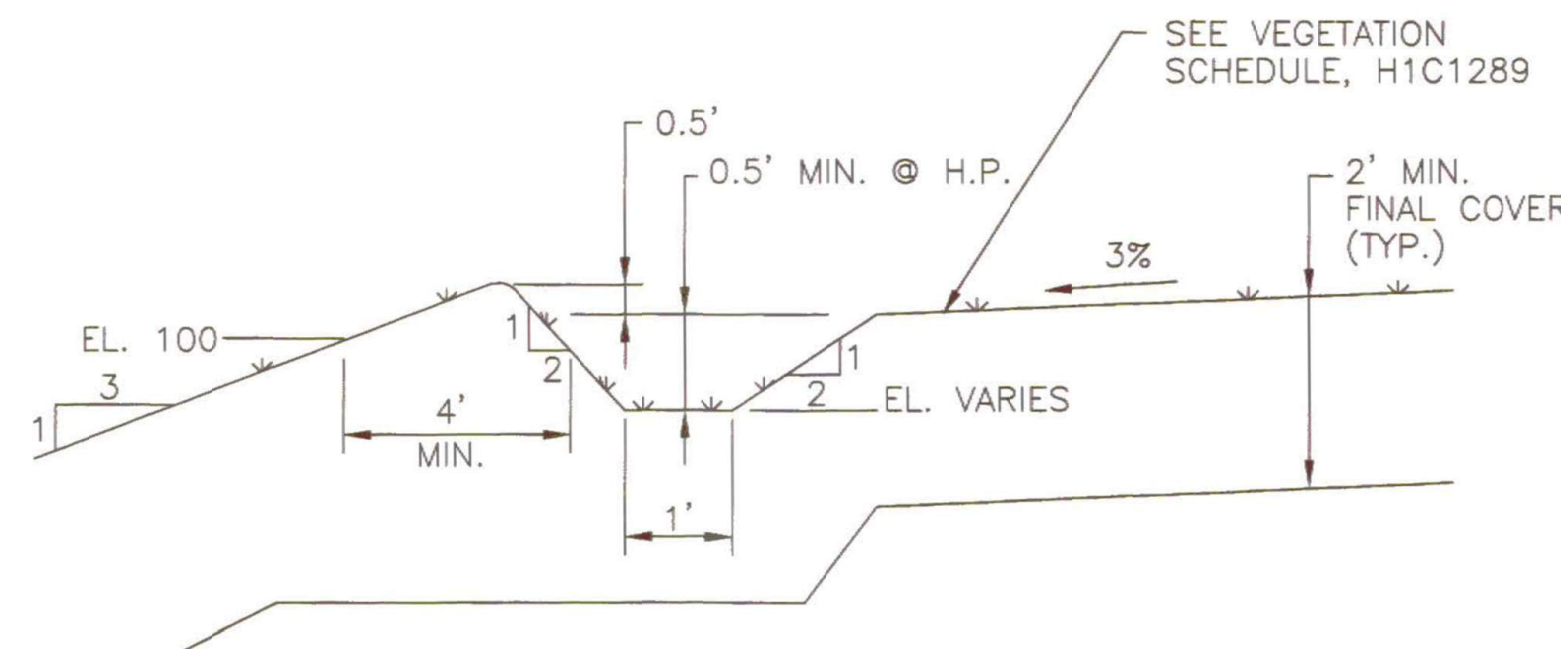


RIP RAP DETAIL B - SECTION 4-4 (F4)
NOT TO SCALE

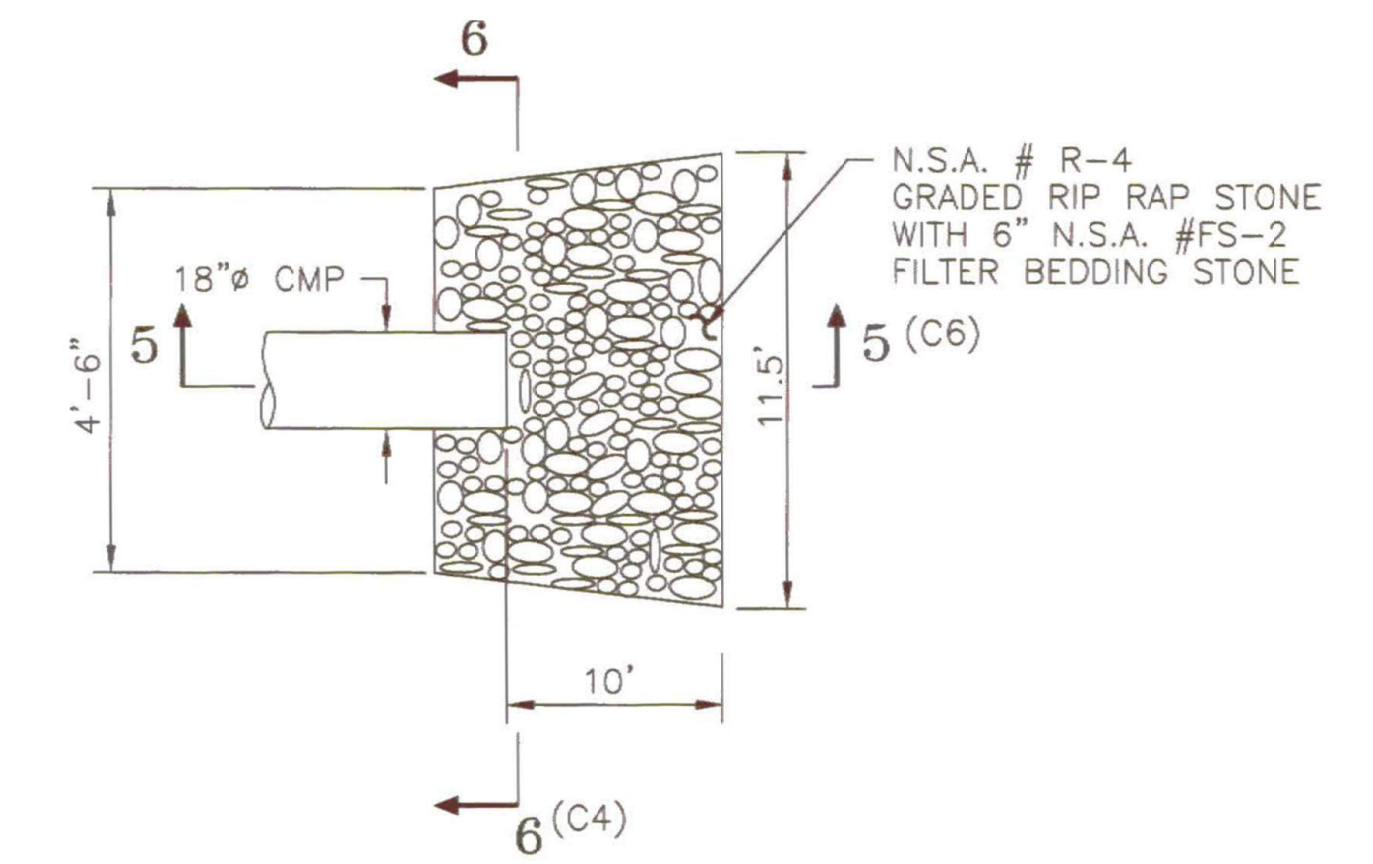


SECTION G-G
NOT TO SCALE

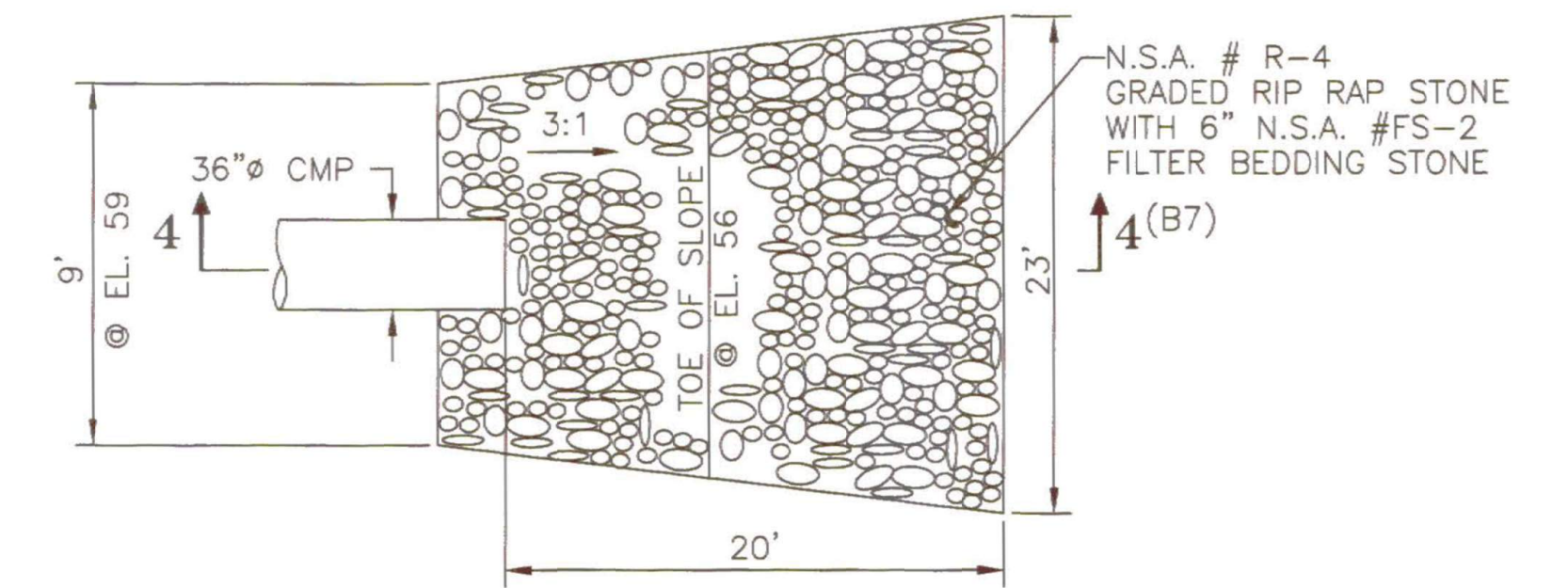
SECTION H-H
NOT TO SCALE



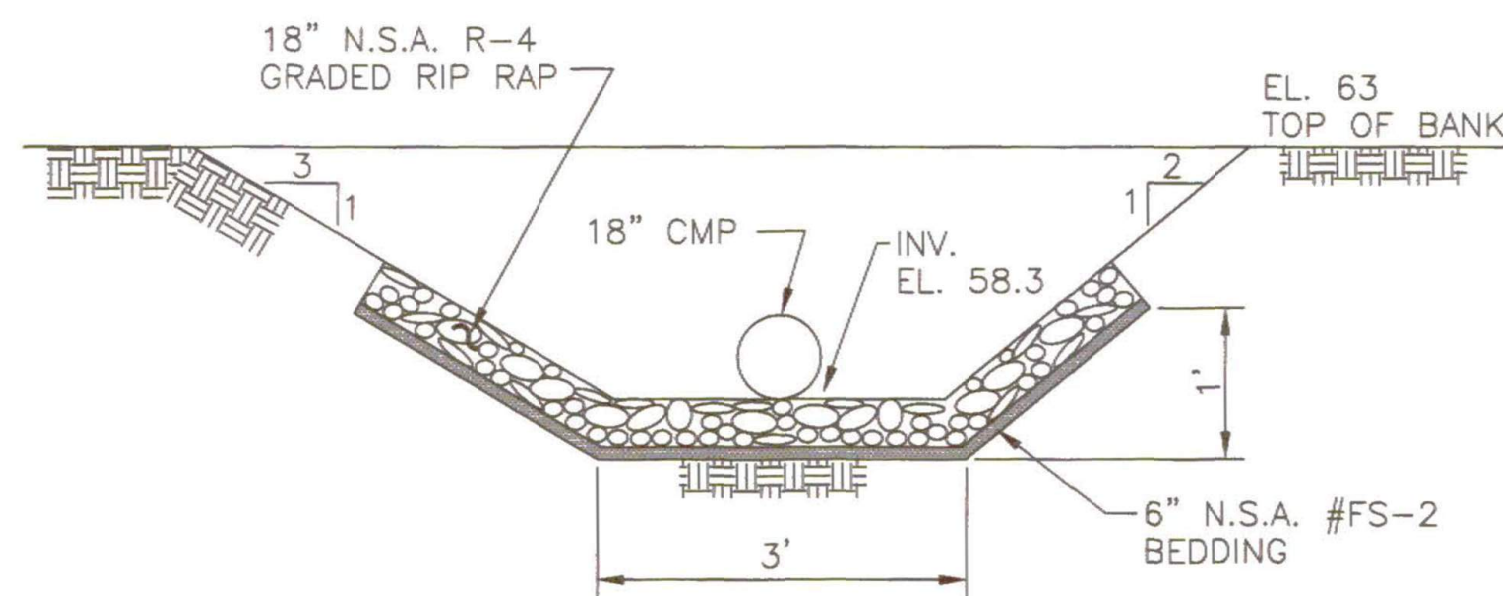
DIVERSION - TYPICAL DETAIL D
NOT TO SCALE



RIP RAP - DETAIL A
NOT TO SCALE



RIP RAP PLAN - DETAIL B
NOT TO SCALE



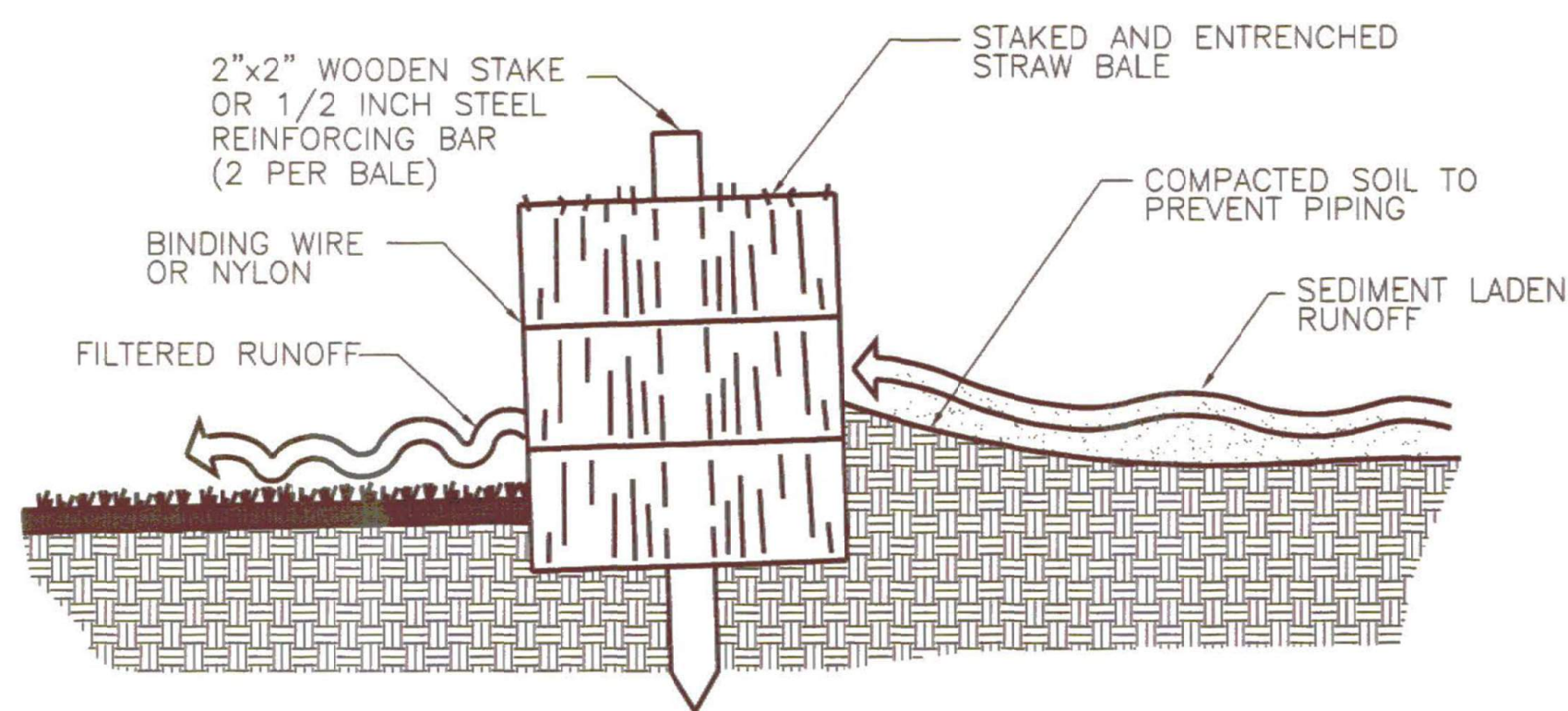
RIP RAP DETAIL A - SECTION 6-6 (E4)
NOT TO SCALE

REFERENCES:

1. MANUAL FOR EROSION AND SEDIMENT CONTROL IN GEORGIA.
2. FOR GENERAL NOTES SEE SHEET NO. 2.
3. FOR COMPLETE LIST OF DRAWING REFERENCES, SEE SHEET 1.

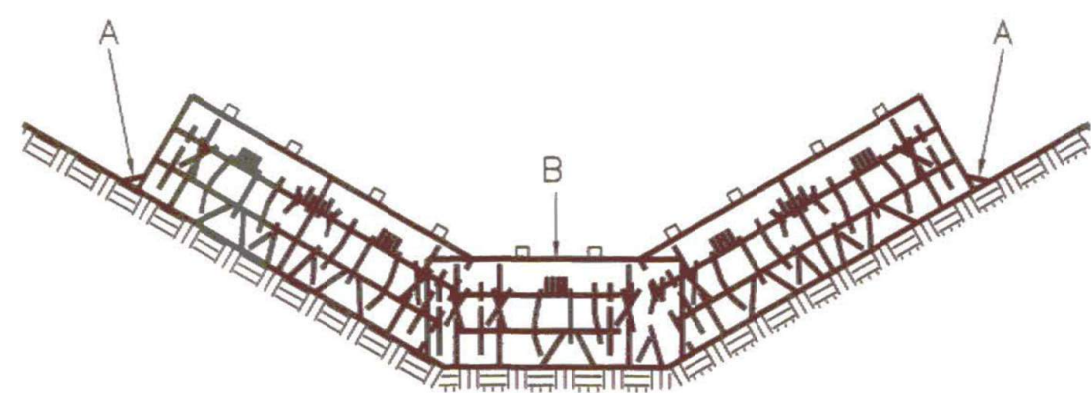


EROSION CONTROL DETAILS & SECTIONS, SHEET 1			
PERMIT DRAWINGS GEORGIA POWER COMPANY PLANT MCINTOSH COAL COMBUSTION RESIDUALS (CCR) INACTIVE LANDFILL NO. 3 EFFINGHAM, GEORGIA			
		3065 AKERS MILL ROAD, SUITE 235 ATLANTA, GEORGIA 30339	
<small>(404) 592-0050 https://www.geiconsultants.com/ </small>			
PROJ. NO.	1702944	DWG.	9
SCALE	NONE	SHEET 9 OF 11	
DATE	NOVEMBER 2022		



NOTE: EMBED HAY BALE A MINIMUM OF 4 INCHES.

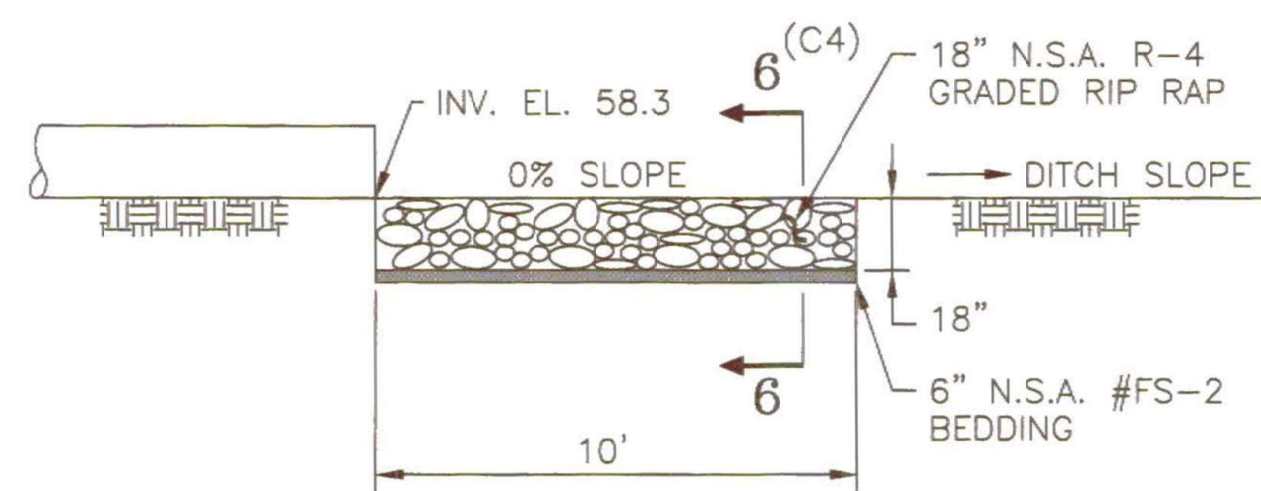
CROSS SECTION OF INSTALLED HAY BALE
 NOT TO SCALE



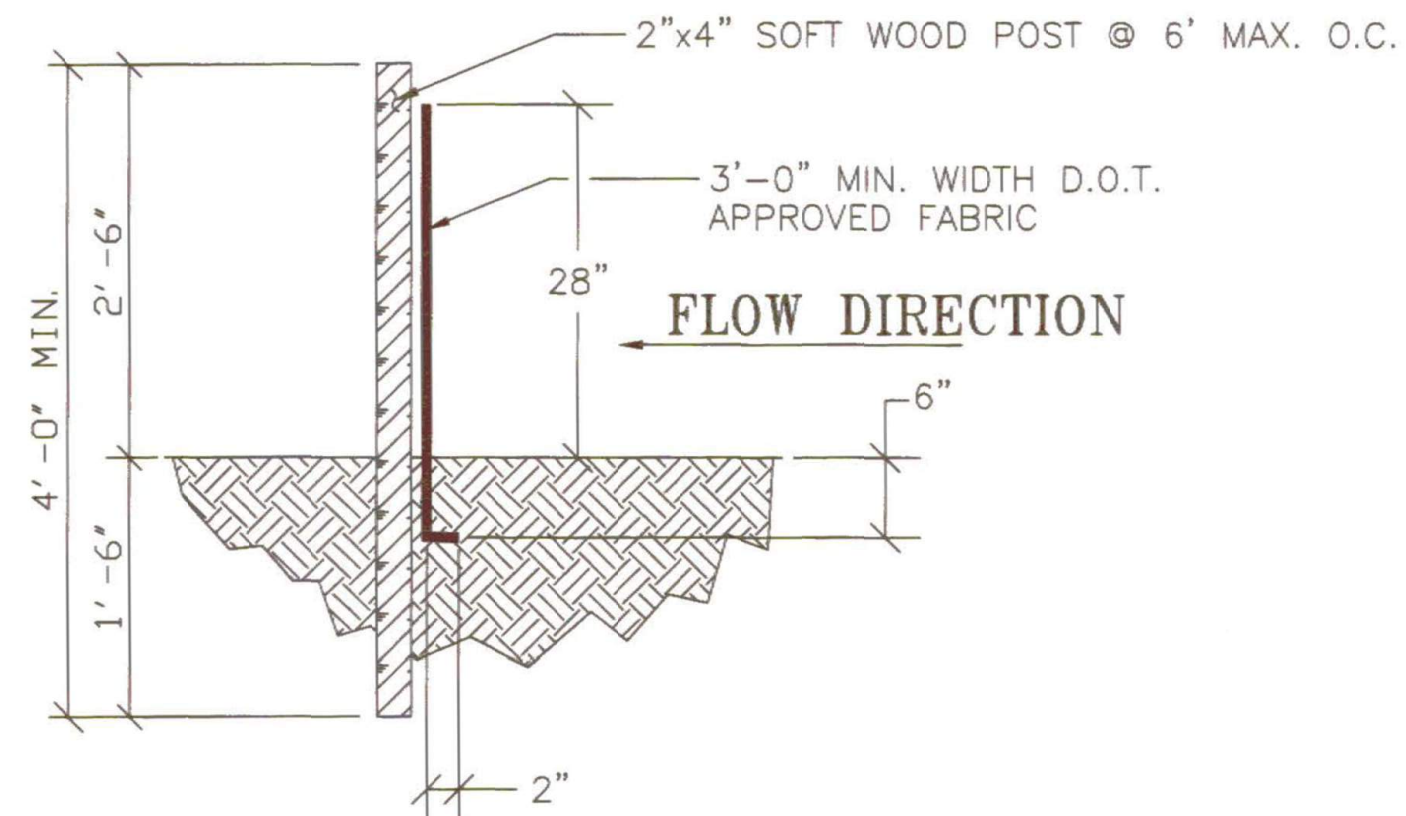
PLACEMENT OF HAY BALE BARRIER IN DRAINAGE WAY
 NOT TO SCALE

NOTES:

- POINTS "A" SHOULD BE HIGHER THAN POINT "B".
- EMBED HAY BALES A MINIMUM OF 4 INCHES.
- HAY BALES ARE TO BE BOUND WITH WIRE OR NYLON.
- EACH BALE SHALL BE CONSTRAINED BY TWO 2"x2" WOODEN STAKES OR TWO 1/2" STEEL REINFORCING BARS EMBEDDED 2 FT. IN THE GROUND.
- HAY BALE CHECK DAMS SHALL BE INSPECTED PERIODICALLY AND PROMPTLY REPAIRED OR REPLACED AS REQUIRED.
- SEDIMENT BEHIND CHECK DAM SHALL BE REMOVED WHEN IT REACHES A DEPTH OF ONE-HALF THE ORIGINAL DEPTH OF CHECK DAM OR BEFORE.

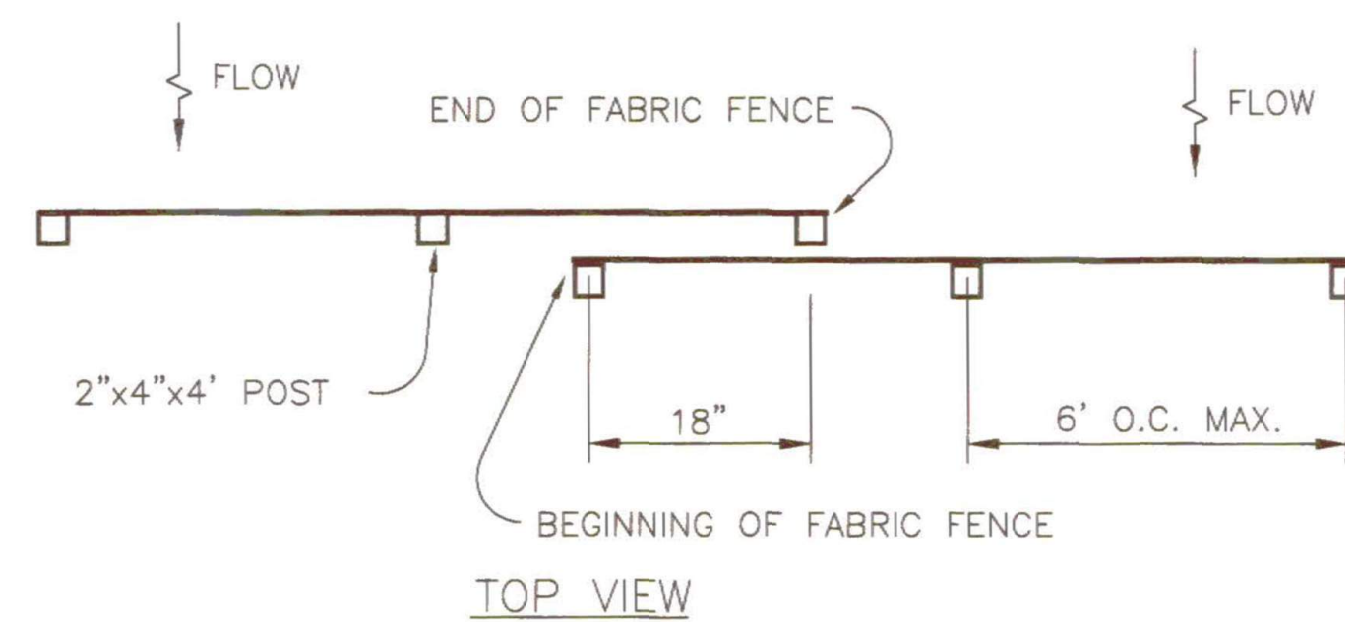


RIP RAP DETAIL A - SECTION 5-5 (E4)
 NOT TO SCALE

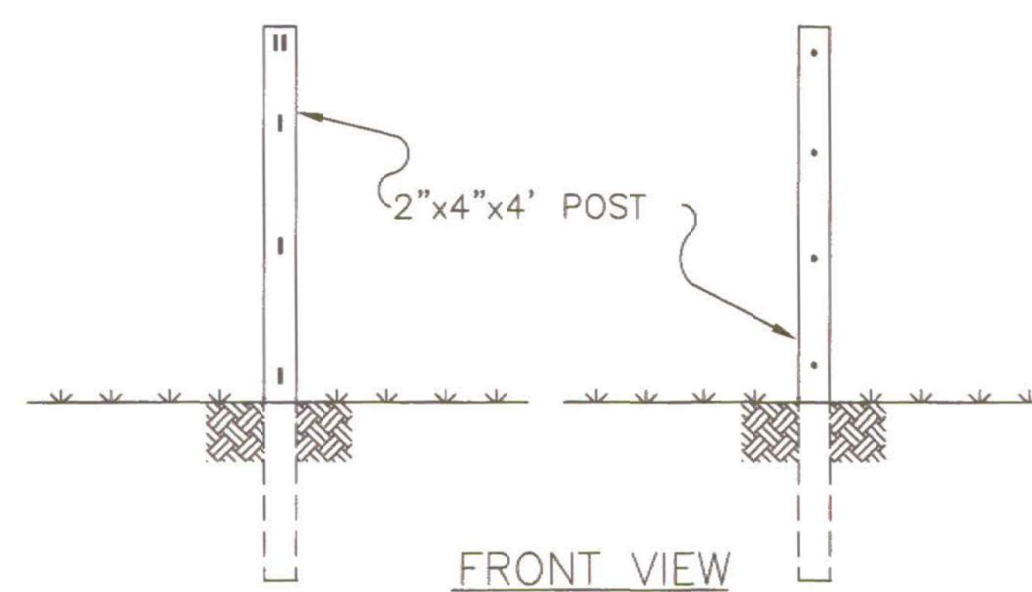


- THE SILT FENCE SHALL BE INSPECTED PERIODICALLY AND PROMPTLY REPAIRED OR REPLACED AS REQUIRED. FILTER FABRIC SHALL BE REPLACED WHENEVER IT HAS DETERIORATED TO SUCH AN EXTENT THAT IT REDUCES THE EFFECTIVENESS OF THE FABRIC.
- REFERENCE GEORGIA MANUAL FOR EROSION AND SEDIMENT CONTROL, CHAPTER 6, SECTION Sd1, 4TH ED., 1996.

ASH MONOFILL - TYP. SILT FENCE DETAIL - TYPE A
 NO SCALE



TYPICAL SILT FENCE - OVERLAP DETAIL
 NOT TO SCALE



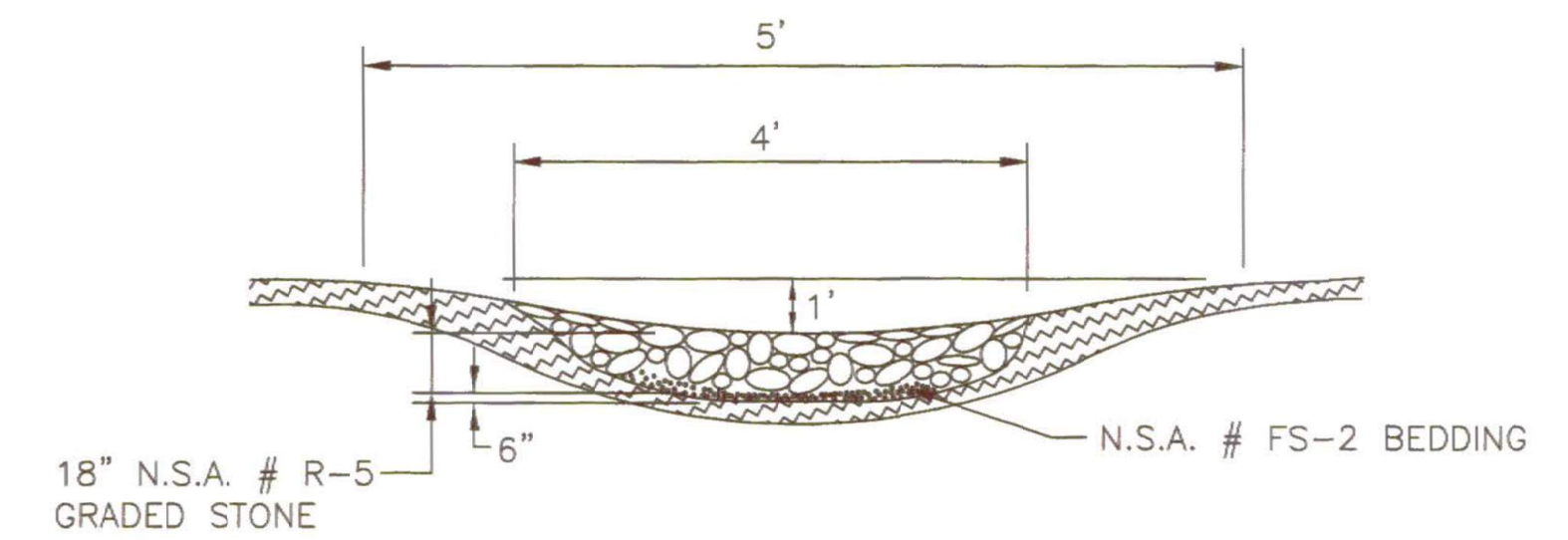
NOTES:

- FASTENERS FOR WOOD POSTS.

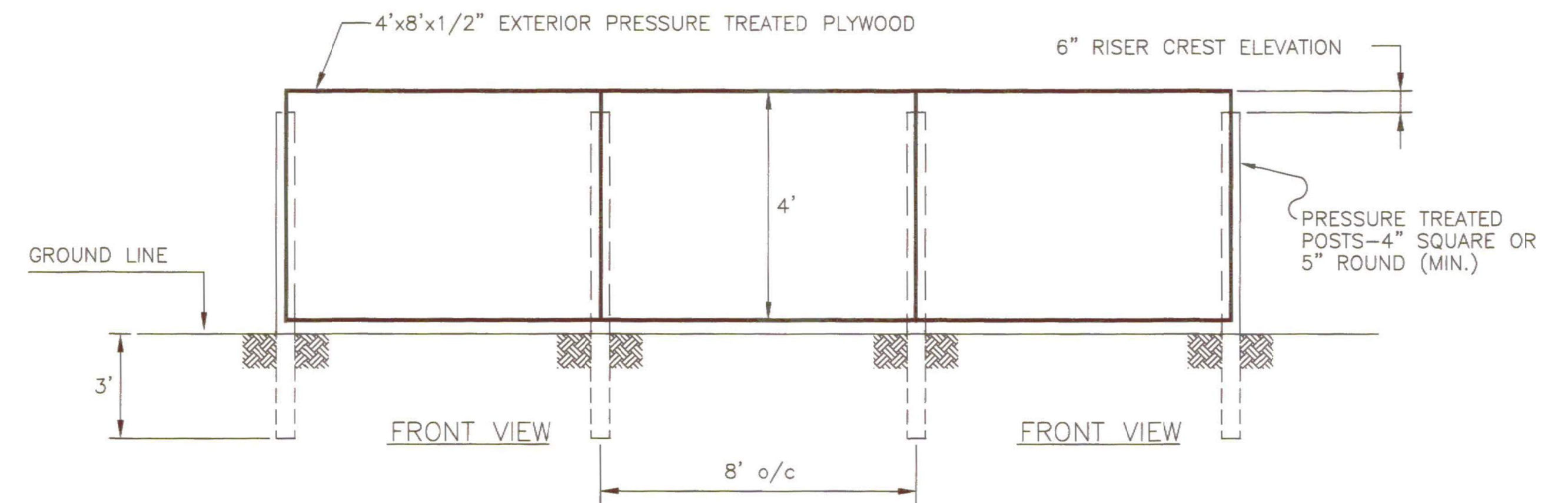
	GAUGE	CROWN	LEGS	STAPLES/POST
WIRE STAPLES	17 MIN.	3/4" WIRE	1/2" LONG	5 MIN.

	GAUGE	LENGTH	BUTTON HEADS	STAPLES/POST
NAILS	14 MIN.	1" WIRE	3/4"	5 MIN.

TYPICAL SILT FENCE - FASTENER DETAIL
 NOT TO SCALE



WATERWAY WITH STONE CENTER - DETAIL C - TYPICAL
 NOT TO SCALE



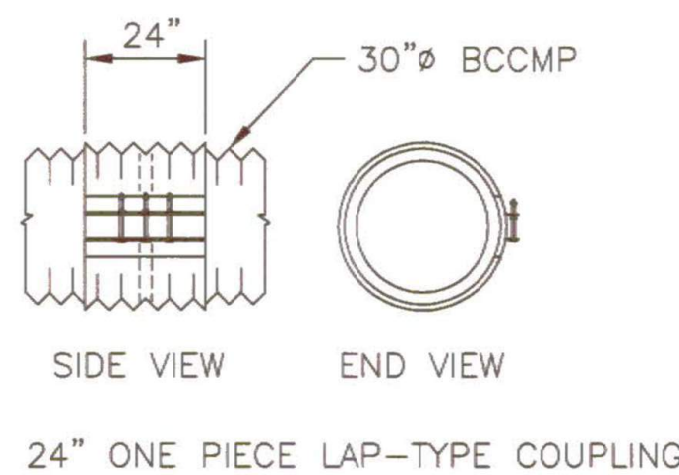
SEDIMENT BASIN BAFFLE PROFILE
 NOT TO SCALE

REFERENCES:

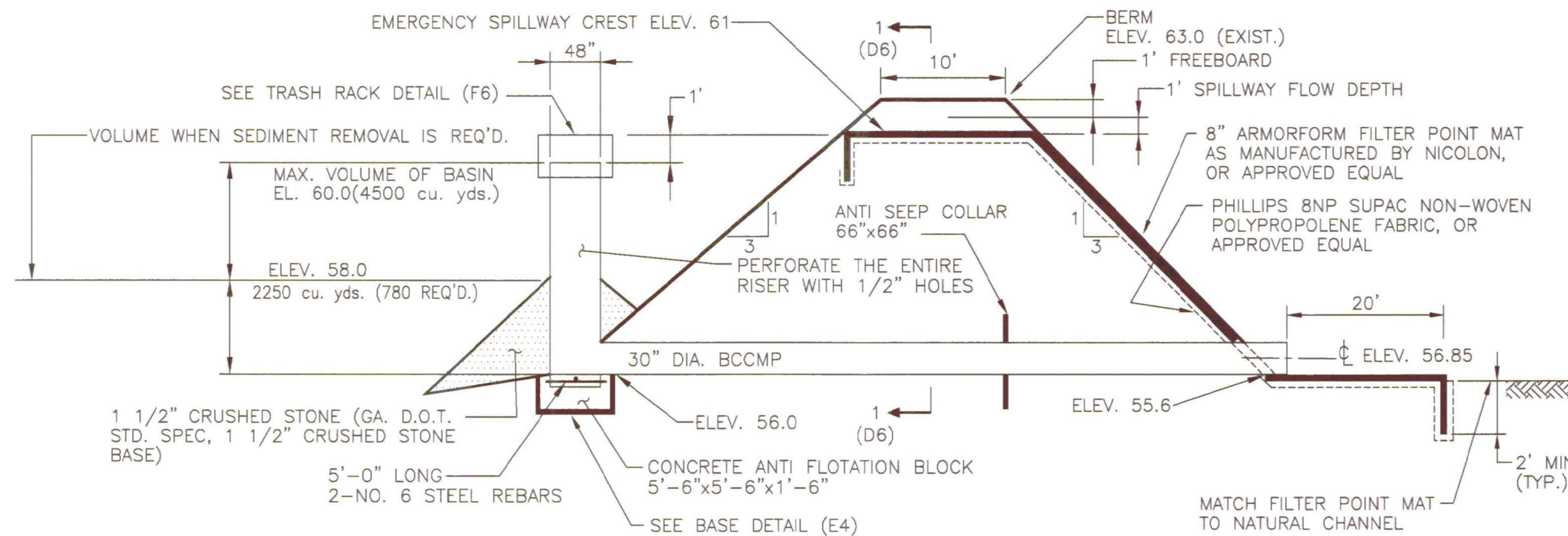
- MANUAL FOR EROSION AND SEDIMENT CONTROL IN GEORGIA.
- FOR GENERAL NOTES SEE SHEET NO. 2.
- FOR COMPLETE LIST OF DRAWING REFERENCES, SEE SHEET 1.



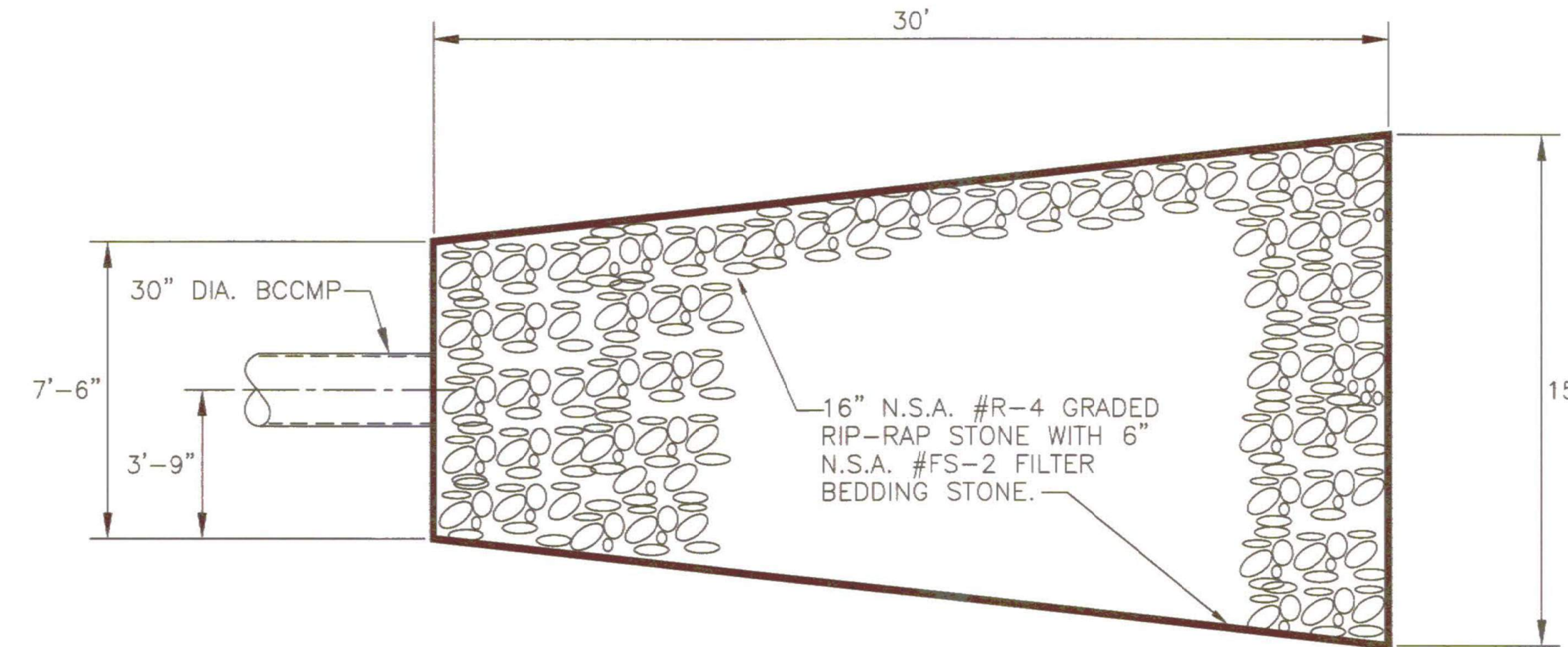
EROSION CONTROL DETAILS & SECTIONS, SHEET 2			
PERMIT DRAWINGS GEORGIA POWER COMPANY PLANT MCINTOSH COAL COMBUSTION RESIDUALS (CCR) INACTIVE LANDFILL NO. 3 EFFINGHAM, GEORGIA			
GEI Consultants		3065 AKERS MILL ROAD, SUITE 235 ATLANTA, GEORGIA 30339	
(404) 592-0050 https://www.geiconsultants.com/			
PROJ. NO.	1702944	DWG.	10
SCALE	NONE	SHEET 10 OF 11	
DATE	NOVEMBER 2022		



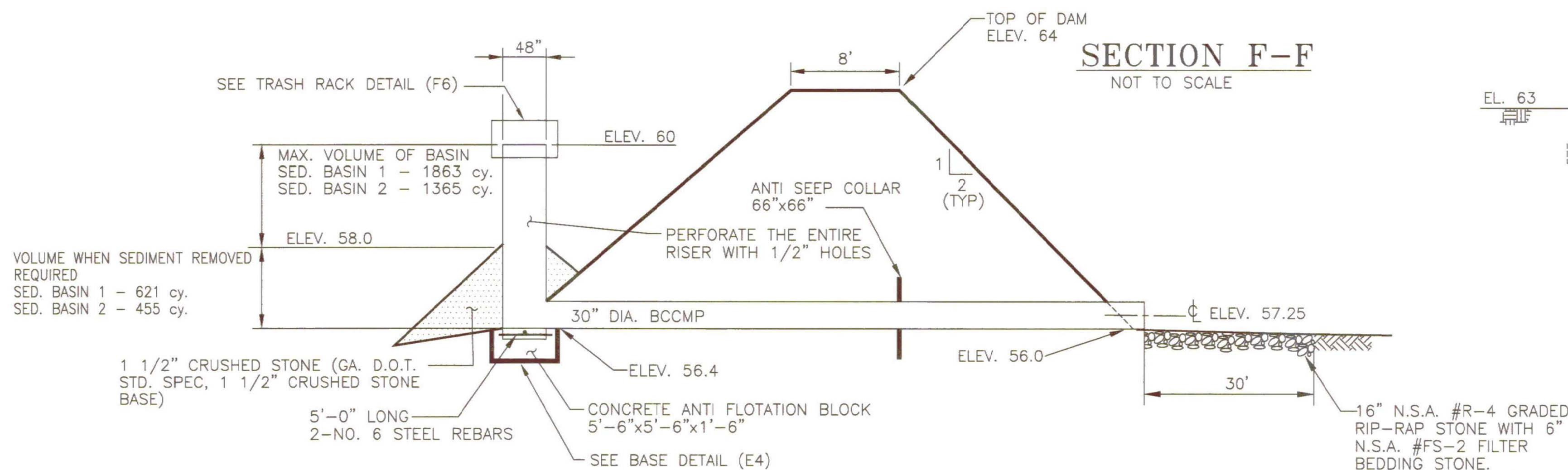
COUPLING DETAIL
NOT TO SCALE



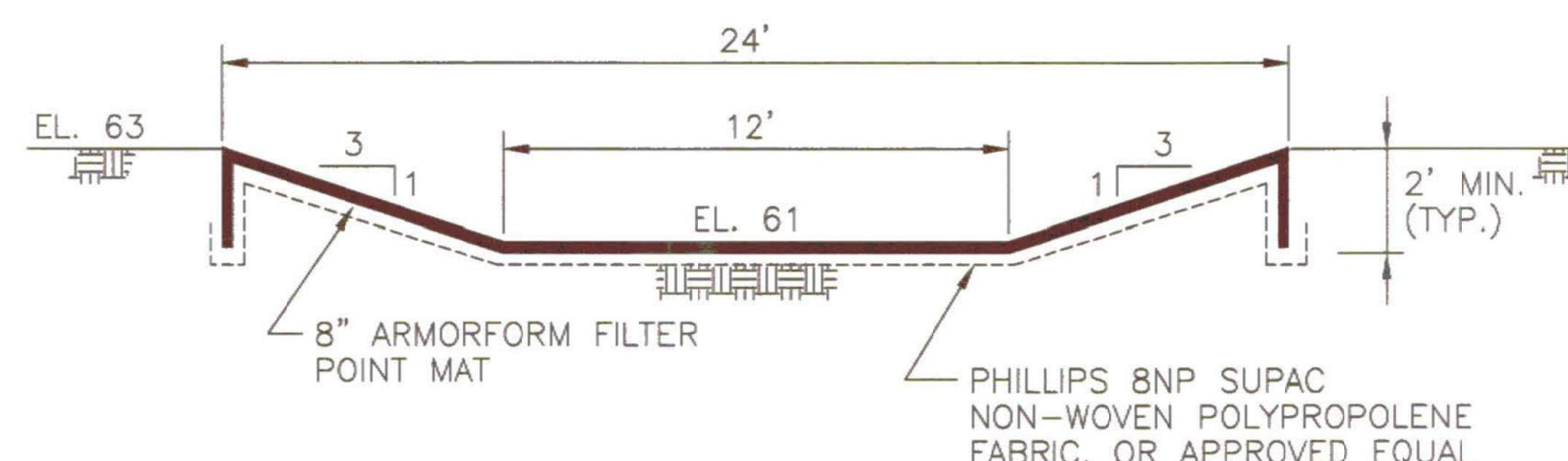
SECTION F-F
NOT TO SCALE



DETAIL B, SECTION K-K (B6)
NOT TO SCALE



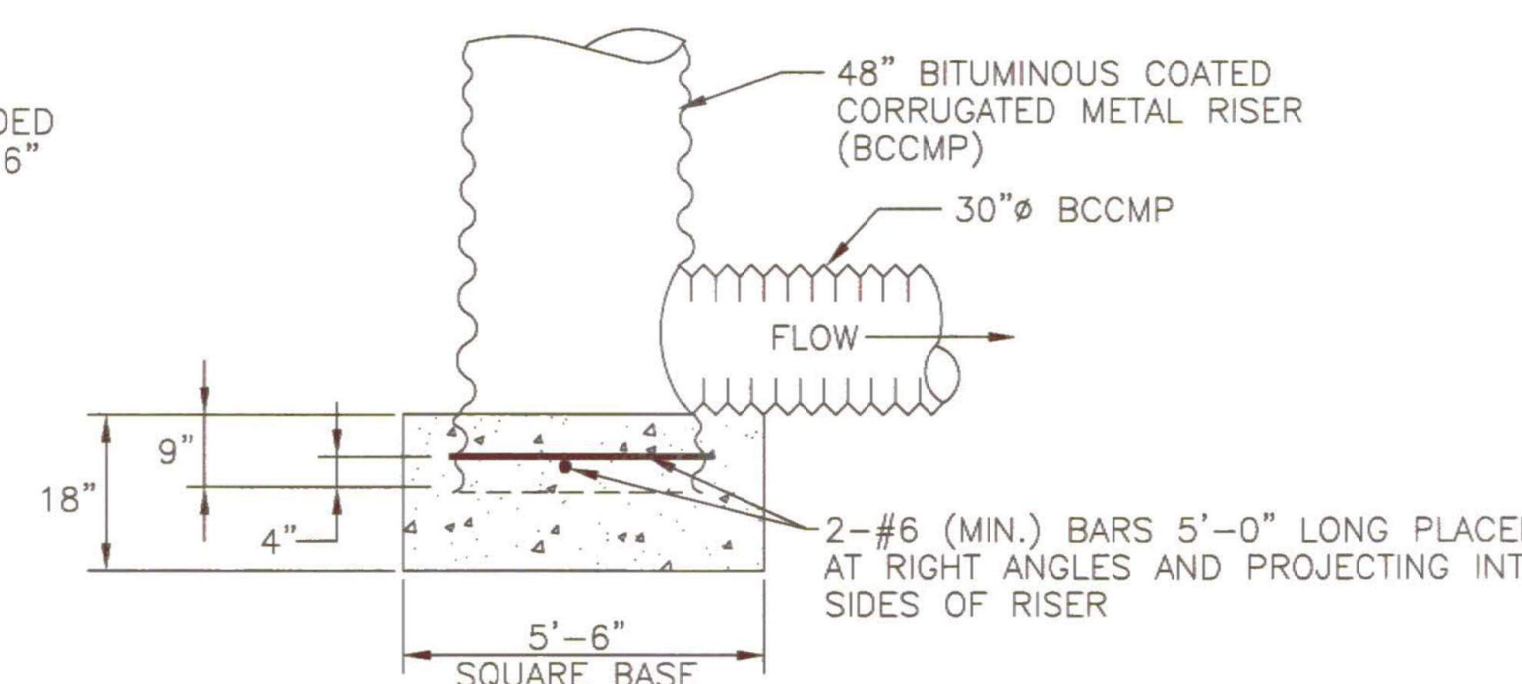
SECTION K-K
NOT TO SCALE



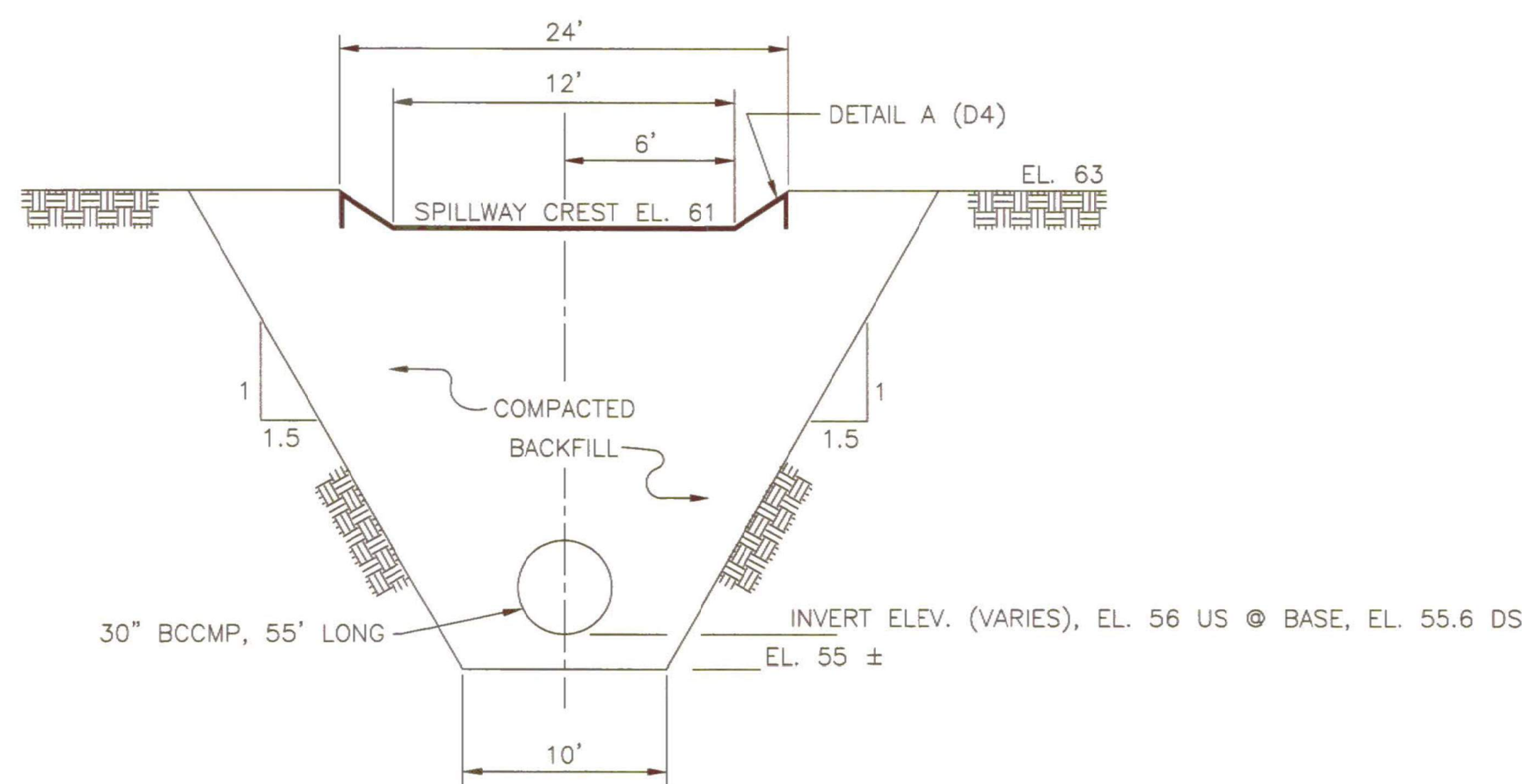
DETAIL A (D6)
NOT TO SCALE

GENERAL NOTES:

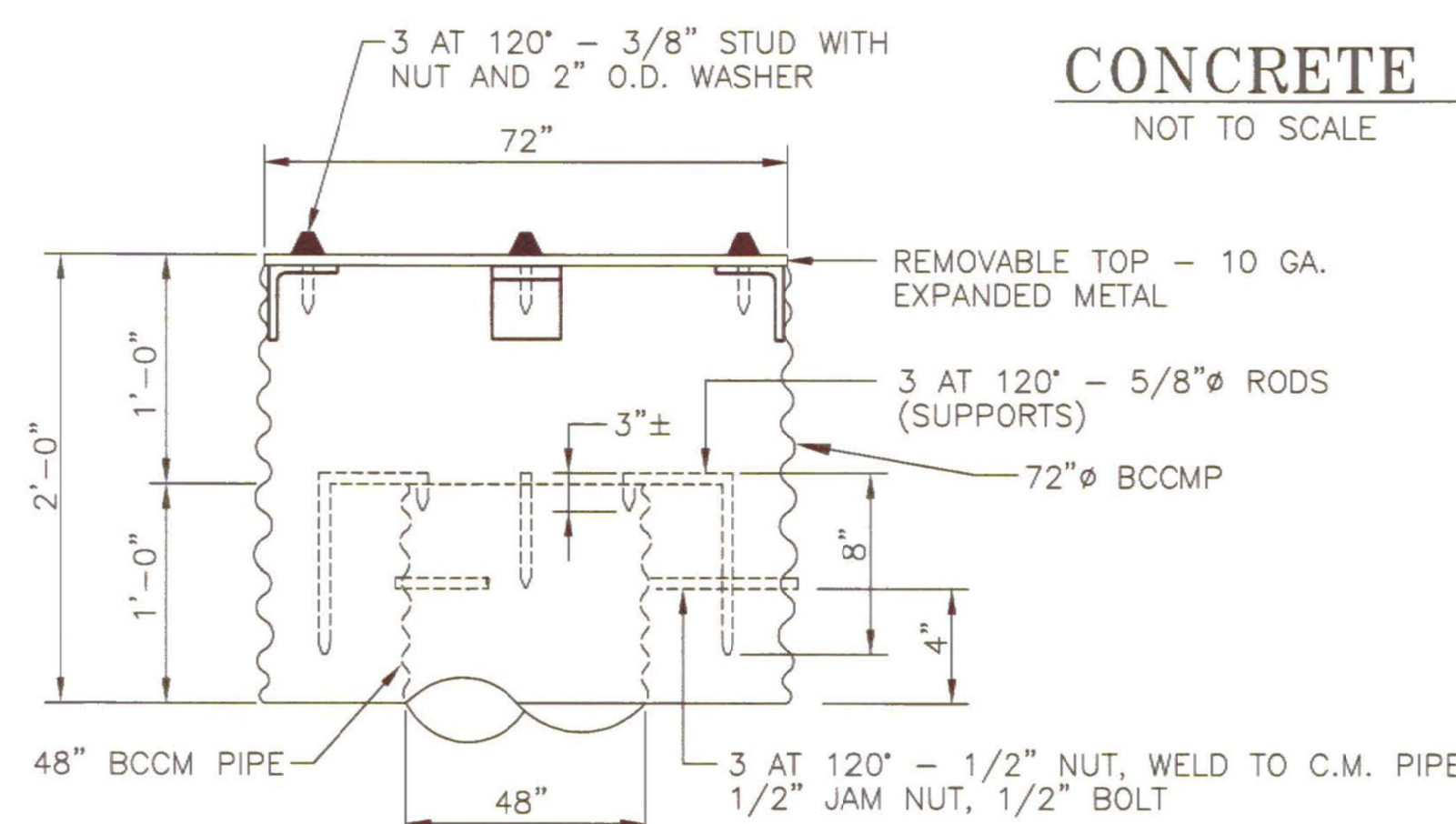
- The existing embankment shall be excavated to lines and grades indicated for the removal of the existing PVC pipe.
- The area to receive the new 30 inch pipe shall be hand compacted and any soft or unsuitable material removed, the area backfilled, and compacted.
- The pipe and riser shall be placed on firm, smooth foundation.
- The backfill material shall be clean soil free of roots, vegetation, oversized rocks, stones or other objectionable material. Material excavated for removal of existing pipe may be used if not mixed with ash. Otherwise, the fill material shall be obtained from an approved borrow source.
- Areas on which fill is to be placed shall be scarified prior to fill placement.
- Fill material shall be conditioned, placed and compacted in accordance with the Construction Quality Control/Quality Assurance Plan and the specifications for earth fill on drawing H1C1283.
- The riser shall be securely attached to the pipe or stub by welding the full circumference making a watertight structural connection.
- The connection between the riser and the riser base shall be watertight.
- All connections between pipe sections shall be watertight, achieved by approved watertight band assemblies.
- The fill material around the pipe shall be placed in 4 inch layers and hand compacted under and around the pipe to at least the same density as the adjacent fill material.
- Care must be taken to not raise the pipe from firm contact with its foundation when compacting under the pipe haunches.
- A minimum depth of 2 ft. of hand compacted fill shall be placed over the pipe before placing and compacting fill with construction equipment.
- Trash rack nuts, bolts, threads and rods shall be bituminous coated after installation.
- All disturbed soil areas shall be grassed upon reaching final grade in accordance with the Vegetation Schedule, drawing H1C1289.



CONCRETE RISER BASE DETAIL (E2)
NOT TO SCALE



SECTION 1-1 (F2)
NOT TO SCALE



TRASH RACK (F2)
NOT TO SCALE



REFERENCES:

- MANUAL FOR EROSION AND SEDIMENT CONTROL IN GEORGIA.
- FOR GENERAL NOTES SEE SHEET NO. 2.
- FOR COMPLETE LIST OF DRAWING REFERENCES, SEE SHEET 1.

EROSION CONTROL DETAILS & SECTIONS, SHEET 3			
PERMIT DRAWINGS			
GEORGIA POWER COMPANY			
PLANT MCINTOSH COAL COMBUSTION RESIDUALS (CCR)			
INACTIVE LANDFILL NO. 3			
EFFINGHAM, GEORGIA			
GEI Consultants		3065 AKERS MILL ROAD, SUITE 235 ATLANTA, GEORGIA 30339	
<small>(404) 592-0050 https://www.geiconsultants.com/</small>			
PROJ. NO.	1702944	DWG.	11
SCALE	NONE	SHEET 11 OF 11	
DATE	NOVEMBER 2022		